



Model EMS-R UTV Skid Specification



A Division of MTECH, Inc.
1072 Marauder, Suite 210
Chico, CA 95973
1.888.797.5100
www.qtacfire.com
www.mtechincorporated.com



STRUCTURE

The structure shall have the following characteristics:

- MTECH PolyTough™ extrusion-welded Copolymer Polypropylene construction
- Flange-mounted anchor points to secure the skid unit to the UTV bed
- Enclosed storage area with latching door
- Adjustable (fore and aft) padded attendant seat with safety belt
- Rescue area for stokes basket or long board
- Integral grab rails at rescue area and aside the attendant area for easy skid removal and for tie-down of patient and stowage

OPTIONS

The associated options shall have the following characteristics:

- MTECH PolyTough™ Sliding Storage
 - OPTION: Copolymer sliding storage tray with built-in stops
- MTECH PolyTough™ Oxygen Bottle Holder
 - OPTION: Removable Copolymer oxygen bottle holder for two “D” Sized bottles, with bottle retaining devices
- Stainless Steel IV Pole
 - OPTION: Removable Stainless Steel IV Pole with accommodations for two IV bags and storage when not in use.

EMPTY WEIGHT

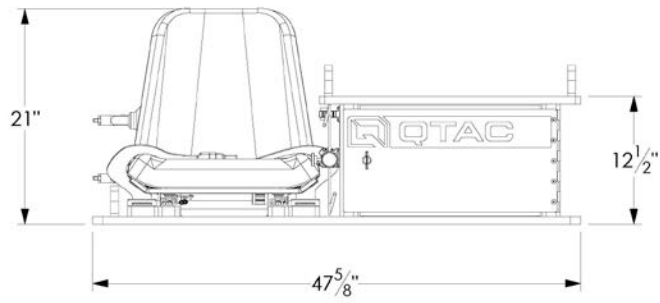
- Base Model: Approx. 145 lbs.
- With Sliding Storage: Approx. 182 lbs.

**All weights are approximate*

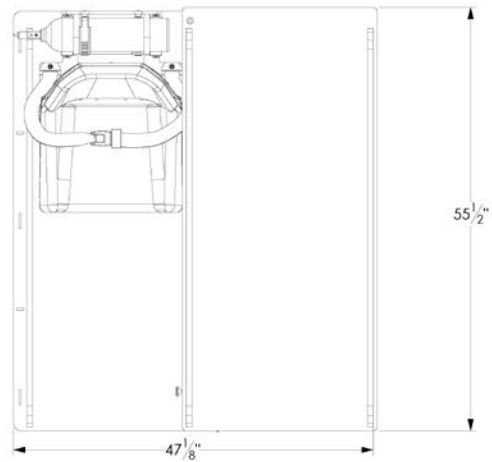


DIMENSIONS

END VIEW



TOP VIEW



SIDE VIEW

