

AKUANA[®]

Opah DS Heated Vest

User Manual

THANKS FOR CHOOSING US

Thank you for choosing AKUANA Opah DS Heated Vest. An external battery canister and AKUANA E/O cord can be operated in 100 meters depth. Vest can be controlled remotely under your drysuit. Two types of valves as option for passage of power cord to fulfill your demands and fit perfectly for your drysuit.

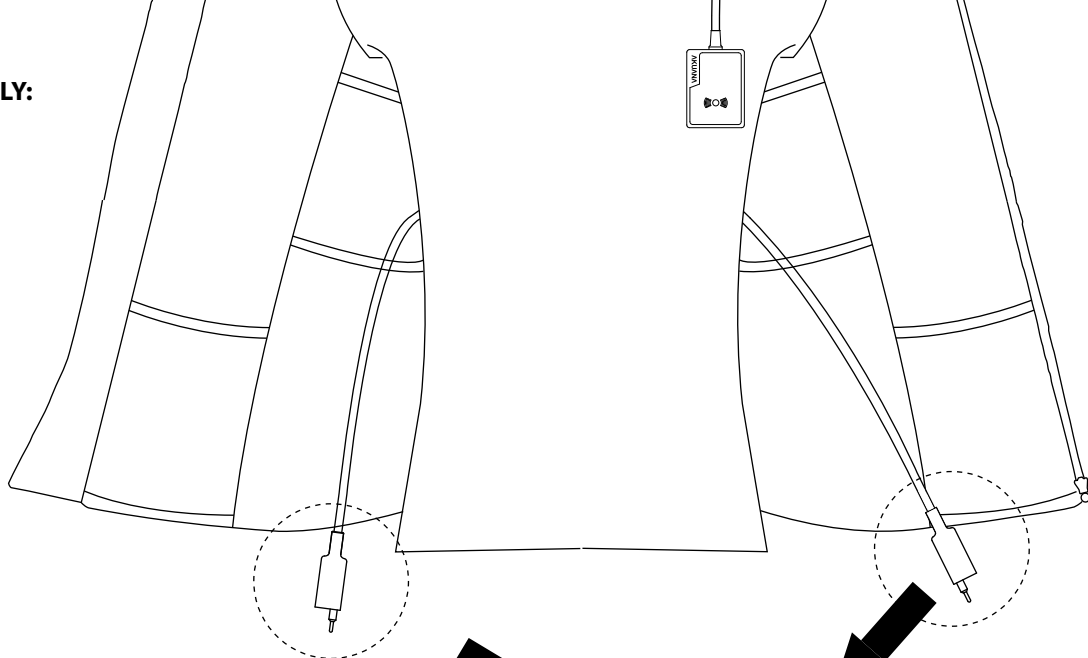
SPECIFICATION:

- Made of 85% neoprene
 - 5% nylon
 - 5% spandex
 - 5% of polyurethane.
- Far infrared radiation (FIR) heating source.
- Maximum 30w of heating power.
- Three levels of heating power selection.
- Thermal protection temperature is 42°C/108°F.
- Run time: OPB-03 --- 3.5~5 hours heating.
- Non-contact temperature controller.
- Depth rating: 100m/330ft

WHAT'S IN THE BOX:

- Vest x 1
- Battery canister (battery included) x 1
- Passage valve set for power cord x 1
- Charger x 1
- Wrist band controller x 1
- Extension cord x 2

ASSEMBLY:



Please following the instructions shown in the graphic to assemble the products.

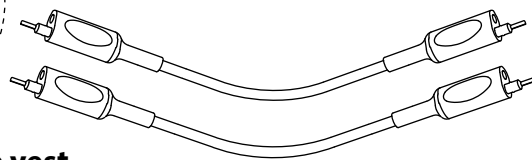
- Independent passage valve
- SI TECH integrated passage valve

(combine of inflation of gas and passage for power cords)

Please check details on SI TECH website or scan the barcode below.



Connectors of the vest



Extention cords

Accessories. User can use them based on the demands.

Passage vavle



Hole on the drysuit

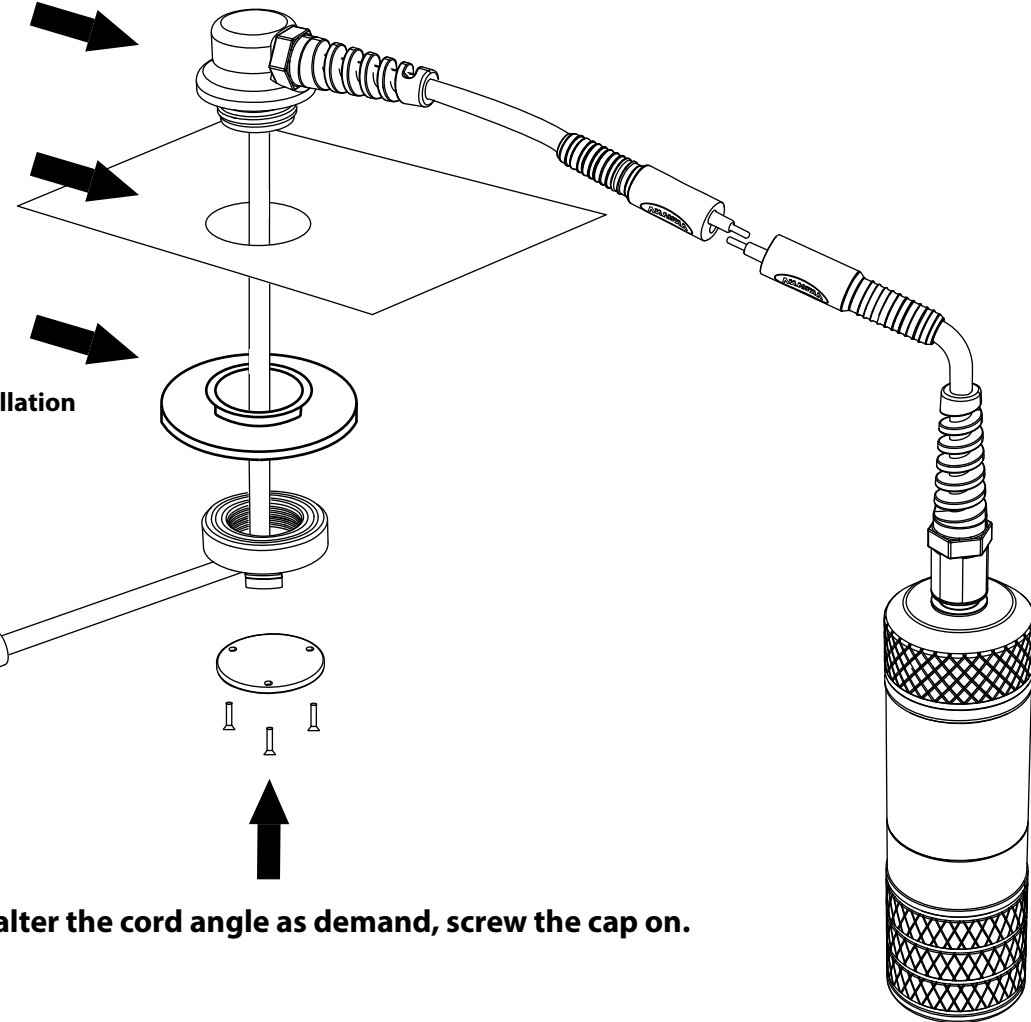


SI TECH 6852 vavle ports

Outer diameter: 70mm

Inter diameter: 33mm

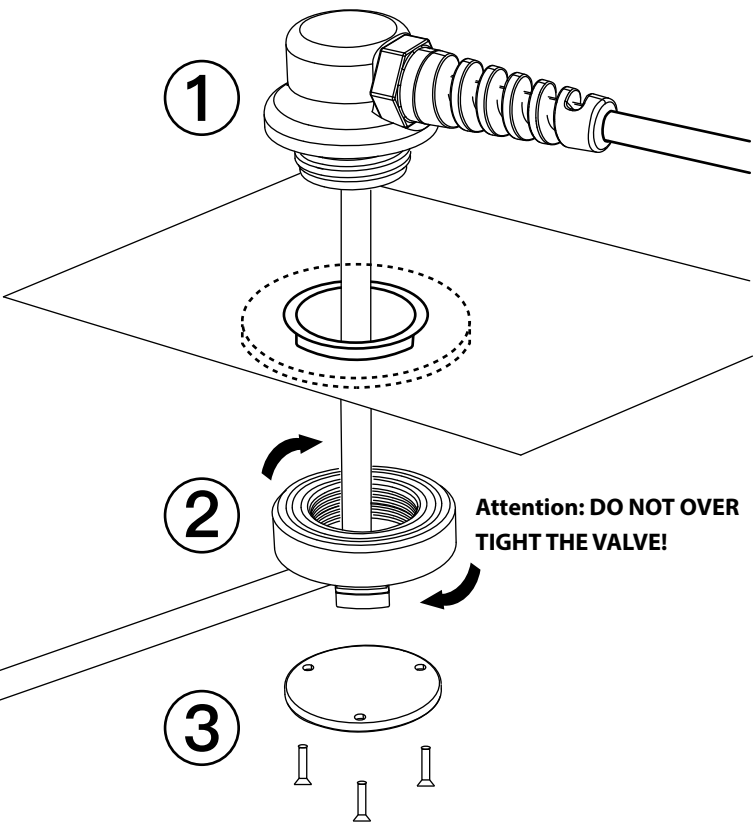
Specific glue is needed for installation



After alter the cord angle as demand, screw the cap on.

MOUNTING

1. Hold ①, tight ② clockwise. Ensure a tight fitting.
2. Adjust the cord angle properly inside the suit.
3. Screw ③ on ②.



OPERATION INSTRUCTIONS:

Turn on/off the heating function

- Once the battery is connected, the receiver will vibrate for **1 second**. The LED indicator in the receiver will light up. Please check table (1) for detailed information.
- Place the wrist band controller over the receiver as shown in drawing (3) for 1.5 seconds to turn on the heating function. After turning the device on, the heating function will automatically start with **LOW** heat function.
- To switch between **LOW, MEDIUM, and HIGH** heat function. Simply place the wrist band controller over the receiver for 0.3s. The vibration and LED indication will respond if the switching succeeds. Please check table (1) for detailed information.
- To turn off the device, place the wrist band controller over the receiver for 1.5s. If the turn off action is complete, the receiver will vibrate for **1.3 seconds**, and the white LED indicator will start to flash.
- The receiver has a touch-success response. It is a very short break. As long as you can feel the short vibration, it means the wrist band controller and receiver are in sensible range.

Heat Levels

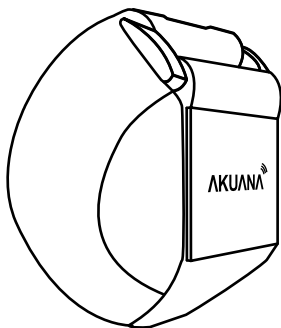
Low: 18W of heating power

Medium: 24W of heating power

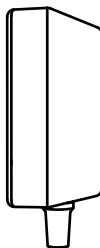
High: 30W of heating power

The user can select each heating level according to the surrounding environment and his/her own favor.

Wrist Band Controller



Receiver

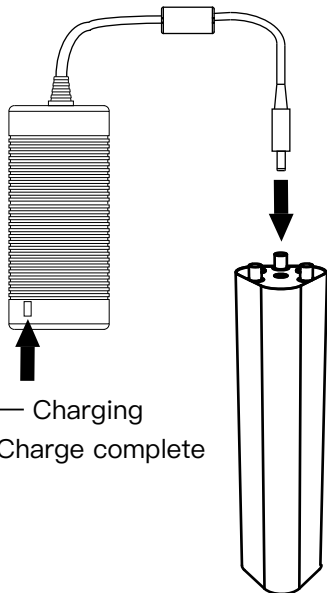


Drawing (3)

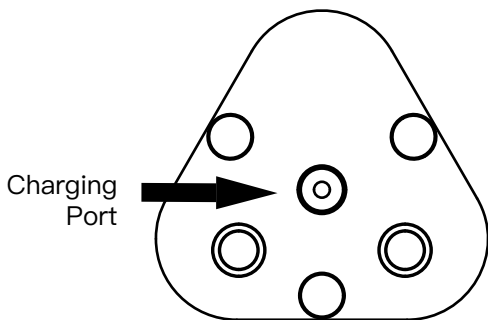
	Vibration indication	LED indication
Battery connected	————	White flashing
Low Heat	— —	Green
Medium Heat	— — —	Blue
High Heat	— — — —	Red
Standby	————	White flashing Battery Low: Red flashing

Table (1)

CHARGING:



Red — Charging
Green — Charge complete



Top View of Battery

WARNINGS AND IMPORTANT INSTRUCTIONS:

Thank you for choosing your **AKUANA** Heating Vest. To ensure the best performance from your suit, please read the following instructions.

- Use only in drysuit while diving.
- Always keep batteries out of the reach of children.
- Batteries are rechargeable. Always charge them only with the charger provided.
- The battery can only be charged by the range of 100V-240V, 50/60Hz, AC current.
- If you are not using the suit with battery operated, please remove the battery to avoid draining the battery.
- This product is hand wash **ONLY**. Before washing the product, please remove the batteries.
- Protect the plug with supplied cover before washing.
- Do not disassemble or modify the product and the cable.
- Do not combine with other heating sources if they are not compatible with the product.
- The cables need to be well stretched under your suit.
- Before each dive inspect thoroughly all electrical cords and connections. If you notice any mechanical break or cut, do not use the product for diving, as this might cause serious injury. Once you notice any damage to the cables, contact service for repair or replacement of the broken parts.

WASH AND MAINTENANCE:

- Hand wash **ONLY**.
- Hang dry **ONLY**.

- Gold-plated PIN must be rinsed by fresh water after each dive; otherwise, it may get rusted and cause poor connection problem.

IMPORTANT SAFETY INSTRUCTIONS:

Suit is supplied with the following products and only these products should be used with the suit.

Lithium Battery Models: OPB-03

Main Charger Model XSG1263000

EMC

Suits are not suitable for people with Pacemakers. EMI may affect pacing devices so we strongly recommend that you do not use if you have one of these devices.

Thermal protection

Although the product is designed with thermal protection, the user is also responsible for own thermal protection. Isolation depends on the right wetsuit and thermal underwear selection. Lack of right thermal protection might cause thermoregulatory disorders. The user must be aware of the risks of hyperthermia and hypothermia.

Thermal isolation and depth

Thermal isolation is reduced due to hydrostatic pressure, which is increasing with depth. The user must be aware that thermal capacity of the product might be reduced.

Allergic reaction

Every synthetic material might cause allergic reactions. Before using the product, please be aware of the potential risk of experiencing allergy towards the materials used in the construction of the product.