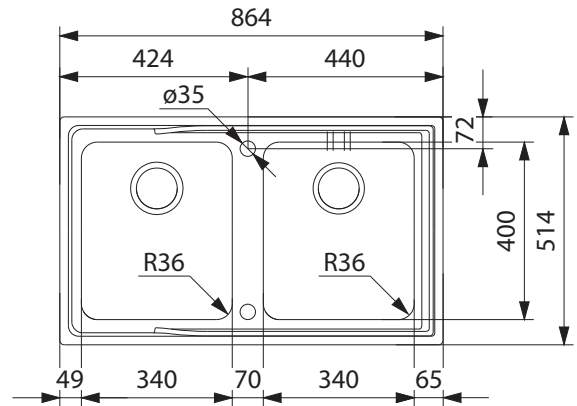


# ATON

ANX220



## PRODUCT INFORMATION

<b>Installation</b>	Topmount/Flushmount
<b>Dimensions</b>	864 x 514mm
<b>Cabinet Base</b>	800mm
<b>Bowl Size</b>	340 x 400 x 190mm/25L (x2)
<b>Bowl Radius</b>	36mm
<b>Cut-Out Size</b>	Topmount: 855 x 506mm, cr=20 Flushmount: utilise DXF file
<b>Cut-Out Template</b>	Yes
<b>Waste Outlet</b>	Semi Integrated Waste
<b>Overflow</b>	Yes
<b>Tap Holes</b>	ø35mm
<b>Remote Waste</b>	Yes
<b>Finish</b>	Stainless Steel
<b>Warranty</b>	50 Years

**NOTE:** Cut-out dimensions are a guide only, please use the actual sink as your template.

## FEATURES & BENEFITS



Food Preparation Centre



18/10 Stainless Steel



Push Button Remote Waste



Hidden Overflow



Sound Deadening Pads

## ACCESSORIES

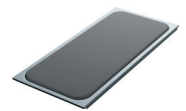
— Included Accessory  
- - - Available Accessory



**PB835**  
Push Button Waste



**RM42**  
Rolalimat



**CB104**  
Chopping Board



**SB112**  
Strainer Bowl



**DB448**  
Drainer Basket



**CR113**  
Champagne Flute Rack



**DT651**  
Extension Drainer

BARE SINK OPTION AND SOME SINK & TAP PACKAGES DO NOT INCLUDE ACCESSORIES. PLEASE CHAT TO YOUR SALES CONSULTANT FOR FURTHER INFORMATION.

LAST UPDATED: 21 SEPTEMBER 2021

