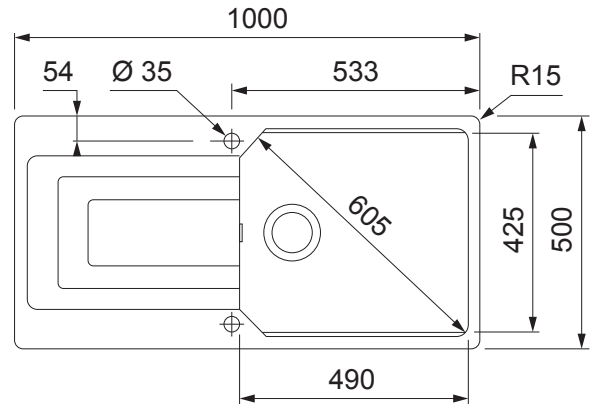


URBAN GRANITE

UBG211-100SG REV

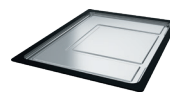


PRODUCT INFORMATION

Installation	Topmount/Flushmount
Dimensions	1000 x 500mm
Cabinet Base	600mm
Bowl Size	490 x 425 x 210mm / 43L
Bowl Radius	15mm
Cut-Out Size	964 x 464mm, cr=15
Cut-Out Template	No
Waste Outlet	Semi Integrated Waste
Overflow	Yes
Tap Holes	ø35mm
Remote Waste	No
Finish	Fragranite
Warranty	50 Years

ACCESSORIES

— Included Accessory
 - - - Available Accessory



DT360
Extension Drainer

- - - -



SB950
Strainer Bowl

- - - -



RM44
Rollamat

- - - -



DB664
Drainer Basket

- - - -



CB750
Chopping Board

- - - -

NOTE: Cut-out dimensions are a guide only, please use the actual sink as your template.

FEATURES & BENEFITS



Food Preparation Centre



Fragranite



Fast Fix Installation



Franke Overflow

BARE SINK OPTION AND SOME SINK & TAP PACKAGES DO NOT INCLUDE ACCESSORIES. PLEASE CHAT TO YOUR SALES CONSULTANT FOR FURTHER INFORMATION.

LAST UPDATED: 21 SEPTEMBER 2021

