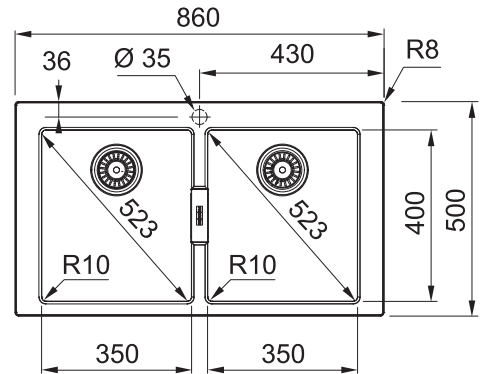


SIRIUS 2.0

S2D620CB



PRODUCT INFORMATION

Installation	Topmount/Undermount
Dimensions	860 x 500mm
Cabinet Base	800mm
Bowl Size	350 x 400 x 200mm / 28L (x2)
Bowl Radius	10mm
Cut-Out Size	844 x 484mm
Waste Outlet	Semi Integrated Waste
Overflow	Yes
Tap Holes	Yes (cut out 35mm)
Fast Fix Clips	Yes
Colour	Carbon Black
Warranty	10 Years

Installation clips not available

NOTE: Cut-out dimensions are a guide only, please use the actual sink as your template.

FEATURES & BENEFITS



Food Preparation Centre



Tectonite

ACCESSORIES

— Included Accessory
- - - Available Accessory



DT651
Extension Drainer

- - - -



RM44
Rollamat

- - - -



DB448
Drainer Basket

- - - -

BARE SINK OPTION AND SOME SINK & TAP PACKAGES DO NOT INCLUDE ACCESSORIES. PLEASE CHAT TO YOUR SALES CONSULTANT FOR FURTHER INFORMATION.

LAST UPDATED: 5 JULY 2021

FRANKE