

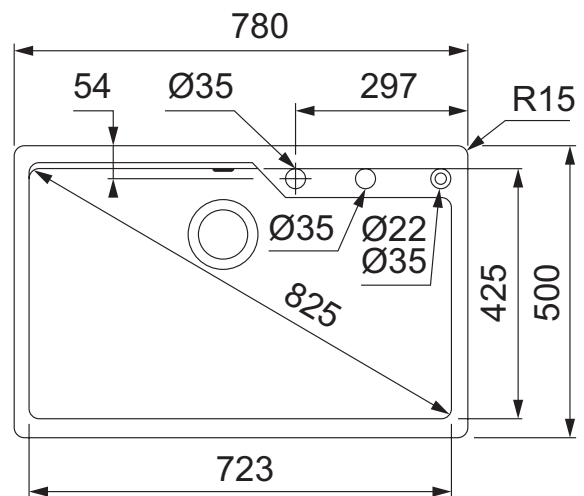
UBG 210-78 PW URBAN FRAGRANITE SINK



NOTE: Flushmount installation requires the minimum benchtop thickness to be 20mm and a 9mm deep recess into the benchtop

PRODUCT INFORMATION

Installation	Topmount/Flushmount
Dimensions	780(W) x 500(H)mm
Cabinet Base	800mm
Bowl Size	723(W) x 425(H) x 230(D)mm/67L
Bowl Radius	15mm
Cut-Out Size	744 x 464mm, cr=15
Cut-Out Template	No
Waste Outlet	Semi Integrated Waste
Overflow	Yes
Tap Holes	ø35mm
Remote Waste	No
Finish	Fragranite

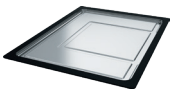


1 ACCESSORIES AVAILABLE **1** ACCESSORIES INCLUDED

BARE SINK OPTION AND SOME SINK & TAP PACKAGES DO NOT INCLUDE ACCESSORIES.
PLEASE CHAT TO YOUR SALES CONSULTANT FOR FURTHER INFORMATION.

ACCESSORIES

1



DT 360
Extension Drainer

2



SB 950
Strainer Bowl

3



RM 44
Rollamat

4



DB 664
Drainer Basket

LAST UPDATED: 28 JAN 2021