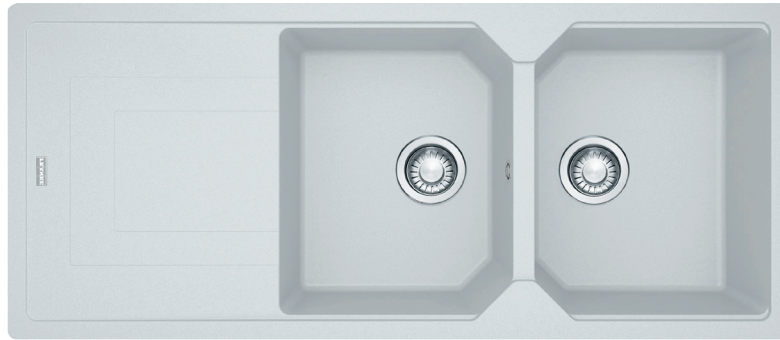


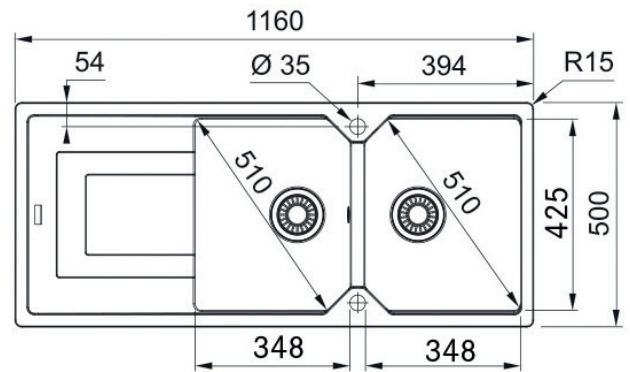
UBG 221 PW REV URBAN FRAGRANITE SINK



NOTE: Flushmount installation requires the minimum benchtop thickness to be 20mm and a 9mm deep recess into the benchtop

PRODUCT INFORMATION

Installation	Topmount/Flushmount
Dimensions	1160(W) x 500(H)mm
Cabinet Base	800mm
Bowl Size	348(W) x 425(H) x 206(D)mm/ 30L (x2)
Bowl Radius	15mm
Cut-Out Size	1124 x 464mm, cr=15
Cut-Out Template	No
Waste Outlet	Semi Integrated Waste
Overflow	Yes
Tap Holes	ø35mm
Remote Waste	No
Finish	Frangrinite

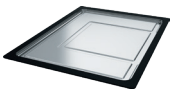


ACCESSORIES AVAILABLE

ACCESSORIES INCLUDED

BARE SINK OPTION AND SOME SINK & TAP PACKAGES DO NOT INCLUDE ACCESSORIES.
PLEASE CHAT TO YOUR SALES CONSULTANT FOR FURTHER INFORMATION.

ACCESSORIES



DT 360
Extension Drainer



SB 950
Strainer Bowl



RM 44
Rollamat



DB 664
Drainer Basket



CB 750
Chopping Board

LAST UPDATED: 23 SEP 2020