

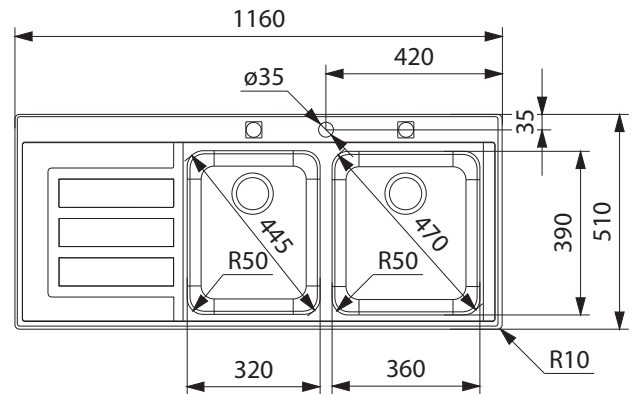
EOX 221/HW LHD  
EPOS SINK



Note: Due to hygienic waste, do not use with a waste disposal unit.

**PRODUCT INFORMATION**

<b>Installation</b>	Topmount
<b>Dimensions</b>	1160(W) x 510(H)mm
<b>Cabinet Base</b>	800mm
<b>Bowl Size</b>	360(W) x 390(H) x 175(D)mm/24L 320(W) x 390(H) x 175(D)mm/21L
<b>Bowl Radius</b>	50mm
<b>Cut-Out Size</b>	1149 x 499mm, cr=10
<b>Cut-Out Template</b>	No
<b>Waste Outlet</b>	Hygienic Integrated Waste
<b>Overflow</b>	Yes
<b>Tap Holes</b>	ø35mm
<b>Remote Waste</b>	Yes
<b>Finish</b>	Stainless Steel



ACCESSORIES AVAILABLE

ACCESSORIES INCLUDED

BARE SINK OPTION AND SOME SINK & TAP PACKAGES DO NOT INCLUDE ACCESSORIES.  
PLEASE CHAT TO YOUR SALES CONSULTANT FOR FURTHER INFORMATION.

**ACCESSORIES**



**CB 749**  
Chopping Board



**SB 491**  
Strainer Bowl



**CB 501**  
Chopping Board



**DB 448**  
Drainer Basket



**RM 41**  
Rollamat

LAST UPDATED: 7 DEC 2020