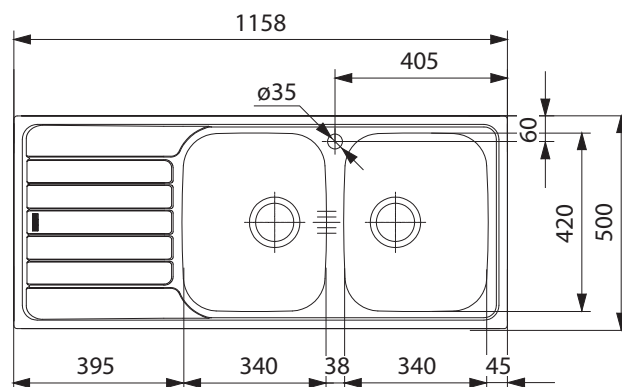


SKX 621 LHD SPARK



PRODUCT INFORMATION

Installation	Topmount
Dimensions	1158 x 500mm
Cabinet Base	800mm
Bowl Size	340 x 420 x 150mm/20L (x2)
Bowl Radius	50mm
Cut-Out Size	1140 x 480mm
Cut-Out Template	No
Waste Outlet	Semi Integrated Waste
Overflow	No
Tap Holes	Yes (cut out 35mm)
Remote Waste	No
Finish	Stainless Steel



1 ACCESSORIES AVAILABLE **1** ACCESSORIES INCLUDED

ACCESSORIES

1



DB 664
Drainer Basket

2



CB 932
Chopping Board

3



PK 205
Eco Plumbing Kit

LAST UPDATED: 12 OCT 2020