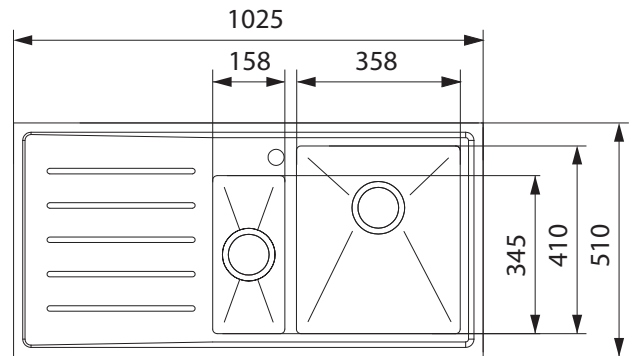


VLX 251 LHD VELA



PRODUCT INFORMATION

Installation	Topmount/Flushmount/Undermount
Dimensions	1025 x 510mm
Cabinet Base	600mm
Bowl Size	358 x 410 x 205mm/30L 158 x 345 x 145mm/8L
Bowl Radius	10mm
Cut-Out Size	Topmount: 865 x 495mm, cr=10 Undermount: Template
Cut-Out Template	Yes
Waste Outlet	Semi Integrated Waste
Overflow	No
Tap Holes	Yes
Remote Waste	No
Finish	Stainless Steel



1 ACCESSORIES AVAILABLE **1** ACCESSORIES INCLUDED

BARE SINK OPTION AND SOME SINK & TAP PACKAGES DO NOT INCLUDE ACCESSORIES.
PLEASE CHAT TO YOUR SALES CONSULTANT FOR FURTHER INFORMATION.

ACCESSORIES

1



DB 664
Drainer Basket

2



CB 523
Chopping Board

3



SB 4419
Strainer Bowl

4



DT 651
Extension Drainer

LAST UPDATED: 9 SEP 2020