

FCG604B1 FCG905B1

EN INSTRUCTIONS FOR USE AND INSTALLATION Gas Hob

For service and spare parts please contact the Franke National technical service centre on
(03) 9700 9100



Dear customer!

This appliance is manufactured for household use.

Our appliances are packed in the environmentally friendly materials which may be recycled, deposited or destroyed without any hazard to the environment. Such packaging materials are also labeled accordingly.

Once the life cycle your appliance is over, make sure not to pollute the environment, and deliver it to the authorized collectors of old household appliances.

Instructions for use

Instructions for use have been prepared for the user, and describe the appliance and the way it is handled. These instructions are intended for various types of appliances, so you may find some descriptions for the functions that your particular appliance may not have.

These instructions are only valid if the country symbol is indicated on the appliance. If there is NO country symbol in the appliance, technical instructions should be observed for adapting the appliance to comply with the requirements and regulations for use in your country.

Instructions for connection

The appliance must be connected in compliance with the instructions attached to it, as well as in compliance with relevant regulations and standards. The connection may only be performed by a qualified person.

Rating plate

The rating plate indicating the basic information on the appliance is attached to the lower side of the hob. A duplicate rating plate is supplied to adhere in an accessible area next to the appliance. This appliance is suitable for Natural Gas and Universal LPG; ensure that the available gas supply matches the rating plate.

The Manufacturer strives for continuous improvements. For this reason, the text and illustrations in this book are subject to change without notice.

Keep these instructions in a safe place and ensure that new users are familiar with the contents. Pass them on to any future owner.

Safety warnings

DO NOT USE OR STORE FLAMMABLE MATERIALS IN OR NEAR THIS APPLIANCE

DO NOT SPRAY AEROSOLS IN THE VICINITY OF THIS APPLIANCE WHILE IT IS IN OPERATION.

WHERE THIS APPLIANCE IS INSTALLED IN MARINE CRAFT OR IN CARAVANS, IT SHALL NOT BE USED AS A SPACE HEATER.


DO NOT MODIFY THIS APPLIANCE

DO NOT PLACE ARTICLES ON OR AGAINST THIS APPLIANCE

The appliance is not suitable for installation and operation with aftermarket lids or covers.

| | |
|-------------------------------|----|
| Important warnings | 4 |
| Installation | 5 |
| Connecting to the power mains | 6 |
| Connecting to the gas supply | 7 |
| Technical information | 9 |
| Operation | 11 |
| Cleaning and maintenance | 12 |
| Problem solving guide | 14 |

IMPORTANT WARNINGS

- The appliance and its accessible parts become hot during use. Care should be taken to avoid touching heating elements. Children shall be kept away unless continuously supervised.
 - Prevent the children to hang around the appliance and warn them properly against the danger of burns.
 - This appliance is not intended for use by persons (including children) with reduced physical, sensory or mental capabilities, or lack of experience and knowledge, unless they have been given supervision or instruction concerning use of the appliance by a person responsible for their safety.
 - Children should be supervised to ensure that they do not play with the appliance.
 - Cleaning and user maintenance shall not be made by children without supervision.
 - **WARNING:** Unattended cooking with fat or oil can be dangerous and may result in fire. Be sure having the preparation of such food (fries) under constant control. Never try to extinguish a fire with water, but switch off the appliance and then cover flame e.g. with a lid or a fire blanket.
 - **WARNING:** Danger of fire: do not store items on the cooking surfaces.
 - **WARNING:** If the surface is cracked, switch off the appliance to avoid the possibility of electric shock.
 - Don't use high-pressure steam cleaner or hot steam to clean the appliance.
 - Never place any metal objects upon the hob surface, such as knives, forks, spoons, pot lids, and the like, as they may get very hot.
 - The appliance can't be activated by external timers or remote controls systems.
 - Do not use the appliance for room heating.
 - If there is a wall power outlet located near the hob and another appliance is plugged into it, make sure the power cord does not come into contact with the hot cooking zones.
 - Do not store any temperature-sensitive objects, materials, or substances underneath the appliance, e.g. detergents, sprays, etc.
 - In case of a failure of the appliance, immediately disconnect the appliance from the power mains and contact the service center.
 - The appliance is manufactured in compliance with the relevant effective safety standards.
 - Don't connect the hob to the power supply with an extension cable or multiple sockets, because they don't assure a sufficient safety (e.g. overheating risk of multiple sockets).
 - Connect the appliance to a permanent connection.
 - For safety reasons, this appliance may only be used after it has been built in.
 - This appliance is not intended for outdoor use.
 - Installation of the appliance (installation class: 3) into a kitchen worktop and its connection to the power mains and the gas supply may only be performed by an adequately qualified technician.
 - When the appliance is in use, additional heat and moisture are emitted into the room. When the appliance is used for a prolonged period of time at a high performance level, intensive ventilation or use of kitchen hood may be required in the room where the appliance is installed.
 - Do not use the gas burners, if the flame seems unstable.
 - If you smell gas in the room, immediately close the gas supply valve either on the gas bottle or gas pipeline, extinguish all sources of open fire (including cigarettes), aerate the room, do not turn on any electric appliances, and call a gas expert technician.
 - The main gas supply valve should also be closed if gas burners will be out of use for a long period of time (e.g. when going on holiday).
 - Do not place empty pans on the appliance.
 - Appliance surface should not be used as a worktop. Sharp objects may cause scratches.
 - Preparing food in thin aluminum or plastic containers on the cooking zones is not allowed. Do not place any plastic objects or aluminum foil on the appliance surface.
 - Make sure that the parts of the burners are correctly positioned / installed.
 - After a prolonged use of cast iron plates, the area of the plate and the edge of the cooking zone may faded. Repair service is not covered by the warranty.
-  **Don't use pan, pots, grills or grilled stones, of bigger size than the maximum specified for every single burner; in particular you must not cover more burners simultaneously. The accumulation of heat could damage the appliance.**



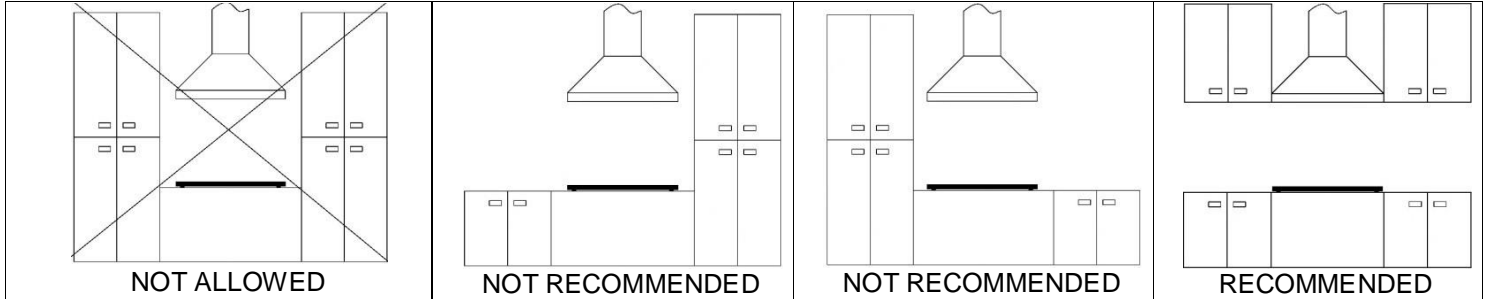
The symbol on the product or on its packaging indicates that this product may not be treated as household waste. Instead it shall be handed over to the applicable collection point for the recycling of electrical and electronic equipment. By ensuring this product is disposed of correctly, you will help prevent potential negative consequences for the environment and human health, which could otherwise be caused by inappropriate waste handling of this product. For more detailed information about recycling of this product, please contact your local city office, your household waste disposal service or the shop where you purchased the product.

INSTALLATION

Important warnings

WHEN THE APPLIANCE IS INSTALLED SO THAT THE BASE CAN BE TOUCHED, A PROTECTING SHIELD MUST BE FITTED. THIS SHIELD MUST BE AT LEAST 20 MM FROM THE LOWEST PART OF THE APPLIANCE AND BE CAPABLE OF WITHSTANDING THE APPLIANCE TEMPERATURES.

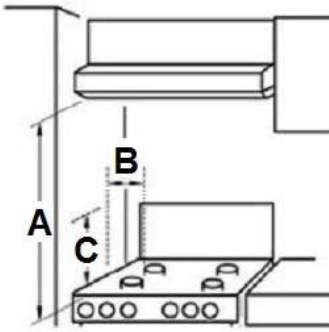
- Installation of the appliance into a kitchen worktop must be performed by an adequately qualified technician.
- Veneer or other finish of the piece of kitchen furniture into which the hob is to be built in should be treated with heat resistant glue (100°C); otherwise, the worktop finish may be discolored or deformed.
- Ideally the appliance should be installed with plenty of space on either side. There may be a wall at the rear and a tall unit or wall at one side. On the other side, however, no unit or divider should stand higher than the cooktop.



- Use of massive wood decoration plates or boards on the worktops behind the appliance is not permitted.
- The distance between the appliance edge and the adjacent tall kitchen furniture element should amount to no less than 250 mm.
- All sizes and distances to be taken for the proper functioning of the appliance are shown in figures below.
- The kitchen furniture element underneath the hob should not be fitted with a drawer. If the kitchen furniture element as a horizontal partition wall, it should be installed no less than min 20mm from the lower surface of the appliance. The space between the partition wall and the appliance must be empty; no objects should be placed into that gap.
- Hanging, or wall-mounted kitchen elements should be installed high enough not to interfere with the work process.
- A minimum safety distance must be maintained between the appliance and the cooker hood above it. See the cooker hood manufacturer's operating and installation instructions for details. If the manufacturer's instructions are not available or, if there are any flammable objects (e.g. utensil rails, wall units etc) above the appliance, a minimum safety distance of at least 800 mm must be maintained between them and the appliance below.
- Fit the wall units and cooker hood before fitting the appliance to avoid damaging it.
- The front part must have an opening of no less than 5 mm.
- The appliance must not be installed over a fridge, fridge-freezer, freezer, dishwasher, washing machine, washer-dryer or tumble dryer

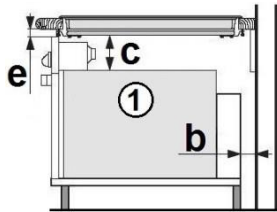
• **Only ovens fitted with a cooling fan ① may be installed underneath this appliance.**

• Before installing an oven, the rear wall of the kitchen furniture element should be removed in the area of the appliance cut-out. Furthermore, a gap of at least 5 mm should be left at the front side.

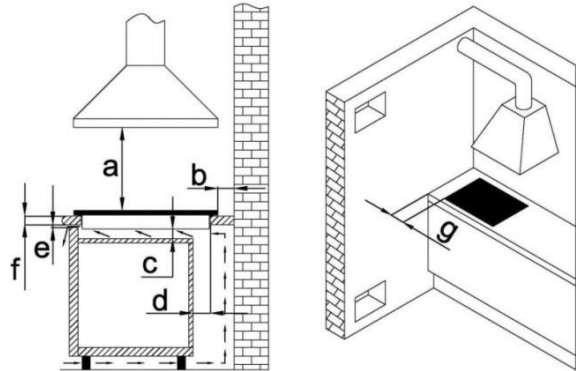


Overhead clearances—(Measurement A) Range hoods and exhaust fans shall be installed in accordance with the manufacturer's relevant instructions. However, in no case shall the clearance between the highest part of the hob of the gas cooking appliance and a range hood be less than 600 mm or, for an overhead exhaust fan, 800 mm.

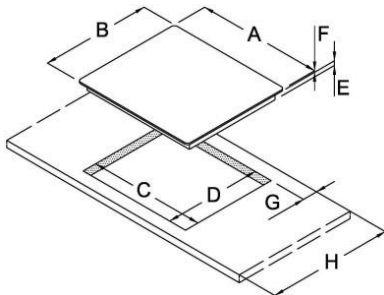
Side clearances—(Measurement B & C) Where B, measured from the periphery of the nearest burner to any vertical combustible surface, or vertical combustible surface covered with toughened glass or sheet metal, is less than 250 mm, the surface shall be protected to a height C of not less than 150 mm above the hob for the full dimension (width or depth) of the cooking surface area. Where the gas cooking appliance is fitted with a „splashback“, protection of the rear wall is not required.



| | |
|---|-------------|
| a | min. 800 mm |
| b | min. 60 mm |
| c | min. 20 mm |
| d | min. 80 mm |
| e | min. 5 mm |
| f | 25-40 mm |
| g | min. 110 mm |



Gas inlet is located at the rear right 25mm from the edge



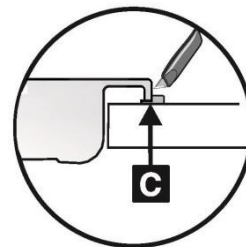
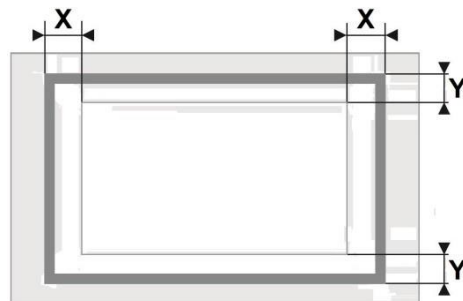
| | FCG604B1 | FCG905B1 |
|---|-------------|-------------|
| A | 590 mm | 860 mm |
| B | 520 mm | 520 mm |
| C | 560 mm | 830 mm |
| D | 490 mm | 490 mm |
| E | 45 mm | 45 mm |
| F | 8 mm | 8 mm |
| G | min. 60 mm | min. 60 mm |
| H | min. 600 mm | min. 600 mm |

Fit the insulating gasket (for Stainless steel appliances)

Fit carefully the provided insulating gasket around the outside edge of the hole made in the top as shown below, pressing it down with your hands so that its entire surface fits snugly (follow the dimensions shown).

After fastening the appliance to the top (see "**Installation procedure**") carefully trim off the excess of the gasket **C**. The dimensions in the drawing below refer to the hole and to the **outside edge** of the gasket.

| | |
|---|------|
| X | 10mm |
| Y | 15mm |



- Worktop must be absolutely horizontal;
- Seal the cut surfaces with a suitable sealant to avoid swelling caused by moisture. The sealant must be heat resistant;
- Put the supplied springs in their places;
- Feed the mains connection cable down through the cut-out;
- Insert the appliance into the cut-out;
- Press the appliance firmly towards the worktop from above.

CONNECTING TO THE POWER MAINS

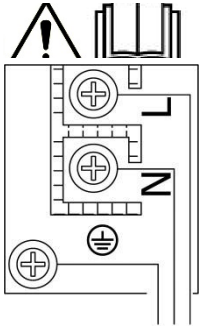
- The appliance may **ONLY** be connected by an authorized qualified technician.
- Electric system protection should comply with all relevant regulations.
- The connection clips can be accessed when the connection clip covers are opened/ removed.
- Before connecting the appliance, make sure the voltage indicated on the rating plate is consistent with the voltage in your home network. Connection voltage should be checked by a qualified technician using a corresponding measuring device!
- The rating plate with basic information is attached on the lower side of the appliance.
- In order to make a fixed connection to the mains, insert an all-pole circuit breaker between the appliance and the mains. This device shall have a contact separation in all poles, providing full disconnection under overvoltage category III conditions.
- The current conducting and isolated parts must be protected from any possibility of direct contact.

WARNING!

- Before any intervention, disconnect the appliance from the power mains. Connect the appliance in compliance with the electric connections diagram supplied; make sure the relevant network voltage is observed!
- The ground wire should be connected to the clip indicated by the earth symbol.
- The mains cable should be fed through the fastening clip which protects it from being accidentally pulled out.
- After connecting the appliance, turn on all cooking zones / heaters for approximately three minutes to make sure they are operating correctly.
- Incorrect connection may destroy parts of the appliance, making the warranty void.
- Connection cable on the back of the appliance should be led in such way that it does not

touch the appliance back wall, as this part will get very hot during operation.

Wiring diagram



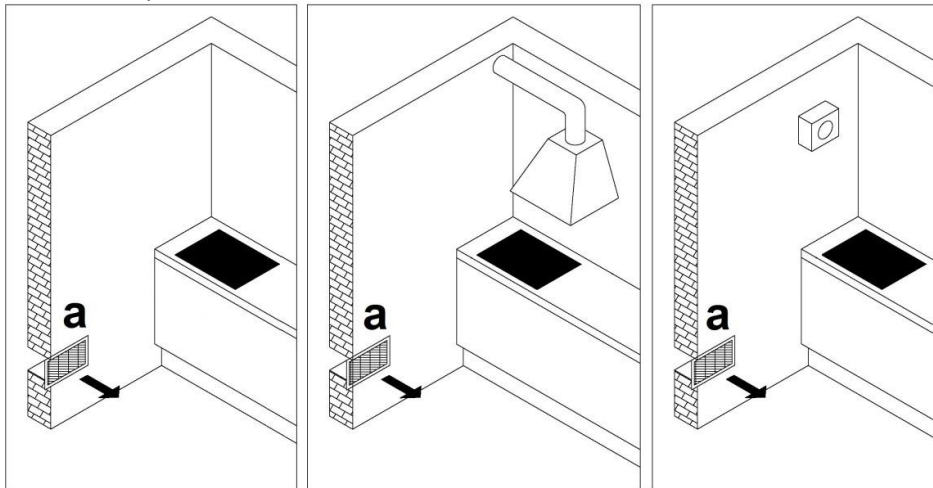
The following can be used for connection:

- H05RR-F, 3x1.5mm²
- H07RN-F, 3x1.5mm²
- H05RN-F, 3x1.5mm²
- H05VV2V2-F, 3x1.5mm²
- H05VV-F, 3x1.5mm²

| | | |
|---------|---|----------------|
| LIVE | L | BROWN |
| EARTH | | GREEN / YELLOW |
| NEUTRAL | N | BLUE |

CONNECTING TO THE GAS SUPPLY

- Connection to the gas supply, or conversion from one type of gas to another, should only be undertaken by an approved and registered gas installer in strict accordance with local and national safety and building regulations.
- Check with your local gas supplier about the type of gas and its calorific value, and compare this information with the type of gas quoted on the cooktop data plate.
- This appliance is not suitable for connection to a burning fumes exhaust system (i.e. a chimney).
- **WARNING:** Special care must be taken to ensure adequate ventilation / aeration ($a = \text{min. } 100 \text{ cm}^2$). The gas cooking appliance use may cause heat, humidity and products of combustion in the room where is installed. Ensure that the kitchen is well ventilated especially when the appliance is in use: keep open any natural ventilation holes or install a mechanical ventilation device (mechanical extractor hood). Prolonged intensive use of the appliance may call for additional ventilation, for example opening of a window, or more effective ventilation, for example increasing the level of mechanical ventilation where present.



Connection

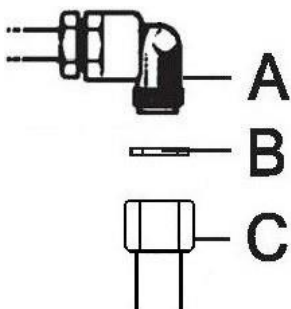
There are two ways to carry out the connection to the main gas line:

A. The hotplate can be connected with rigid pipe as specified in AS/NZS5601.

B. The hotplate can be connected with a Flexible Hose, which complies with AS/NZS 1869 (Australian Certified), 10mm ID, class B or D, no more than 1.2m long and in accordance with AS/NZS5601. Ensure that the Hose does not contact the hot surfaces of the hotplate, oven, dishwasher or other appliance that may be installed underneath or next to the hotplate. **WARNING:** Ensure that the hose assembly is restrained from accidental contact with the flue or flue outlet of an underbench oven. The hose should not be subjected to abrasion, kinking or permanent deformation and should be able to be inspected along its entire length. Unions compatible with the hose fittings must be used and connections tested for gas leaks. The supply connection point shall be accessible with the appliance installed. The hose assembly shall be suitable for connection to a fixed consumer piping outlet located at a point 800mm to 850mm above the floor and in a region outside the width of the appliance to a distance of 250mm.

• The flexible connection hose should be able to move freely, it should not come into contact with the movable parts of the furniture or the bottom of the appliance.

• **After connecting the appliance, check the joints for any leaks.**



A ISO7-1 R1/2 connection plug

B Non-metal gasket with thickness of 2 mm

C Pipe adapter for liquid gas (depending on the model)

Only use pipes and seals in accordance with the Standards. These pipes must be installed so that, when fully extended, their length does not exceed 2000 mm. For easier installation and to prevent gas leaks, attach the swivel coupling to the appliance first, and then to the gas mains pipe. Inverting this sequence may hamper the gas seal between the pipe and the appliance.



Before Leaving:

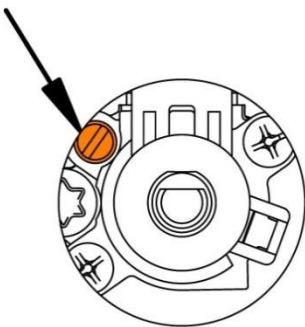
- When installation is complete, check all connections for gas leaks with soap and water. **DO NOT** use a naked flame for detecting leaks. Ignite all burners both individually and concurrently to ensure correct operation of gas valves, burners and ignition. Turn gas taps to low flame position and observe stability of the flame for each burner individually and concurrently. When satisfied with the hotplate, please instruct the user on the correct method of operation. In case the appliance fails to operate correctly after all checks have been carried out, refer to the authorised service provider in your area.
- Ensure that the flexible pipe cannot come into contact with any moving part of the cooktop (e.g. drawer) and that it is not in a position where it could be damaged.
- Check the burners for correct operation. The flames must be clearly visible, and should be blue and green at the center. If the flame is unstable, increase the minimum power.

Adaptation to a different type of gas



- The appliance should not be removed from the worktop.
- Before converting, disconnect the appliance from the power mains and close the gas supply valve.
- Remove the support grid and burner covers with respective crowns.
- Replace the existing nozzles for nominal thermal load with corresponding nozzles for the new gas type and supplied provided (see Nozzle table). In double burners, adjustment elements are accessible behind the main nozzle protective plate.
- After finishing this sequence, replace the old setting label with the new one provided for the new injectors.
- The category with the related types of gas can be used are included in "Conversion to a different type of gas" table.

Minimum flow adjustment



Instructions for Natural Gas

1. Light the burner and bring it to the minimum position.
2. Remove the control knobs, including the gaskets.
3. Turn the adjustment screw on the side of the tap rod until a regular minimum flame is obtained:
 - anti-clockwise to increase the gas flow;
 - clockwise to reduce the gas flow;
4. Re-assemble the knob and verify burner flame stability (when quickly rotating the hand from maximum to minimum position the flame must not shut off).
5. Repeat the operation on all gas taps.

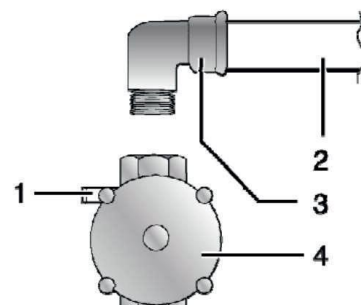
Instructions for Universal LPG

Tighten the screw on the side of the tap, rod clockwise completely.

Natural Gas (The appliance test point is located at the regulator)

The supplied regulator must be fitted to the appliance inlet connection. Gas pressure must be adjusted to 1.0 kPa when approximately 50% of the burners are on high flame.

1. Test Point location
2. Gas inlet pipe
3. Elbow
4. Regulator



TECHNICAL INFORMATIONS

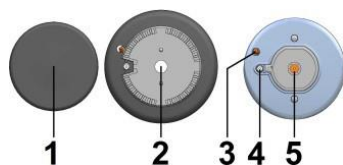
| | FCG604B1 | FCG905B1 |
|-------------------------|---|----------------|
| | | |
| Total kW | 7.5 kw | 11.3 kW |
| Nominal Gas Consumption | 27 Mj/h (NG) | 40.7 Mj/h (NG) |
| Category gas usage | Natural gas 1.0 kPa or Universal LPG 2.75 | |
| Operating voltage | 220-240 V~ ; 50/60 Hz | |

A: Auxiliary
SR: Semirapid
R: Rapid
TC: Tiple Burner

NOZZLE TABLE

| Burner | A | SR | R | TC |
|--------------------------|--------------------|--------------------|---------------------|----------------------|
| Rated heat output (MJ/h) | 3.6 NG 3.2 ULPG | 6.3 NG 5.9 ULPG | 10.8 NG 9.6 ULPG | 13.7 NG 13.7 ULPG |
| Ø INJECTOR (mm) | | | | |
| Natural gas | 0,90 | 1,18 | 1,55 | 1,75 |
| Universal LPG | 0,53 | 0,69 | 0,90 | 1,05 |
| ØBY-PASS (mm) | | | | |
| Natural gas | REG. | REG. | REG. | REG. |
| Universal LPG | 0.30 | 0.375 | 0.40 | 0.625 |

Burners



□ The gas burners are fitted a candle as flame failure device. If the burner flame is extinguished accidentally or unintentionally, e.g. when some liquid boils over or when there is draught in the room, gas supply is automatically cut off, thus preventing the gas from being emitted into the room.

• Gas burner cover should always be placed on the burner crown very carefully. Make sure the slots on the burner crown are never obstructed.

1. Burner crown cover
2. Burner crown with the support for the burner cover
3. Candle flame failure device
4. Ignition candle
5. Nozzle

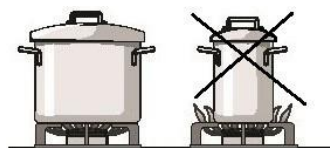
Wok cradle



(only available with some models)

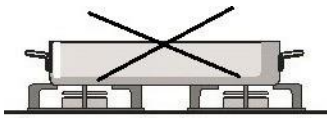
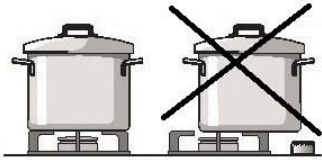
The auxiliary support supplied for the wok burner or available as an accessory provides additional stability in case of a wok with a round base. The auxiliary support for the wok has special recesses so it can be positioned neatly on top of the standard wok pan support.

Pans



□ Correctly selected cookware will enable optimum cooking time and gas consumption.

- Pan diameter is the most important parameter.
- Use pans which have the right size for each burner.
- Do not use small pans on large burners. The flame should not touch the sides of the pan.
- For smaller diameter pots and pans (coffee and tea pots, etc.), the power of the burner being used has to be regulated in order to ensure that the flame laps the bottom of the pot without spilling over.
- For combustion, the gas also needs air. If a pan is too large, air supply to the burner is insufficient; as a result, combustion effect is lesser.
- Do not use pots with concave or convex bottoms.
- Always place the pan right over the burner, not to one side. Otherwise it could tip over.
- Place the pans on the pan supports, never directly on the burner. Make sure that the pan



- supports and burner caps are correctly positioned before using the appliance.
- Do not place large pans on the burners near the control knobs. These may be damaged by the very high temperatures.
- Never use two burners or heat sources to heat one single pan.
- Do not use cast iron plates, griddles, earthenware casserole dishes, etc. for a long period of time on maximum power especially on crystal glass gas hobs.
- Pans should be placed on the hob carefully. Do not strike the hob and do not place excessive weight on it.
- Stainless steel working table can burnish when subjected to excessive heat. Therefore we don't recommend prolonged cooking with soapstone, earthenware pans or cast iron plates. Avoid the use of aluminum foil to protect the working table during cooking operation.
- Don't use pan, pots, grills or grilled stones, of bigger size than the maximum specified for every single burner; in particular you must not cover more burners simultaneously. The accumulation of heat could damage the appliance.**

| BURNER | MIN-MAX PAN Ø |
|--------------------------------|---------------|
| A | 12 - 16 cm |
| SR | 12 - 20 cm |
| R | 18 - 24 cm |
| TC (wok on 4 burner models) | 22 - 26 cm |

WARNING TO THE INSTALLER

WHEN THE APPLIANCE IS INSTALLED SO THAT THE BASE CAN BE TOUCHED, A PROTECTING SHIELD MUST BE FITTED. THIS SHIELD MUST BE AT LEAST 10 MM FROM THE LOWEST PART OF THE APPLIANCE AND BE EASILY REMOVABLE FOR SERVICING OF THE APPLIANCE.

Please read the installation instruction for further details.

INSTALLATION WITH A HOSE ASSEMBLY: Only install with a hose assembly that complies with AS/NZS 1869 (Australian Approved), 10mm ID, class B or D, no more than 1.2m long and accordance with AS/NZS 5601. Ensure that the hose does not contact the hot surfaces of the hotplate or any oven, dishwasher or other appliance that may be installed underneath or next to the hotplate.

WARNING: Ensure that the hose assembly is restrained from accidental contact with the flue outlet of an underbench oven.

The hose should not be subjected to abrasion, kinking or permanent deformation and should be able to be inspected along its entire length. Unions compatible with the hose fitting must be used and connections tested for gas leaks.



(a) Symbol 1

Do not place anything, e.g. flame tamer, asbestos mat, between pan and pan support as serious damage to the appliance may result



(b) Symbol 2

Do not remove the pan support and enclose the burner with a wok stand as this will concentrate and deflect heat onto the hotplate

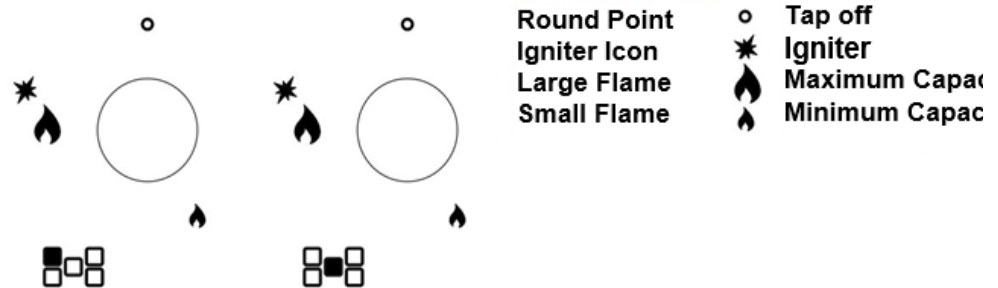


(c) Symbol 3

Do not use large pots or heavy weights which can bend the pan support or deflect flame onto the hotplate

OPERATION

Control Knob



Ignition and operation of the burners

User's instructions

This appliance must be used for the purpose it was designed for, i.e. domestic cooking. Any other use is considered to be improper and therefore dangerous. The manufacturer will accept no liability for any damage caused by improper, incorrect or irrational use.

Using the burners

- If the burners are not used for several days, wait a few seconds before lighting them in order to release any air from the pipes.
- As the burners are fitted with an automatic ignition, to light them simply press and turn the handle to the small star. The appliance uses a spark ignition generator.
- If the flame does not ignite within five seconds, turn the knob back to the "Gas valve closed" position and repeat the procedure; if the electric ignition should not work due to a power failure or damp spark plugs, the gas can also be ignited using a match or a gas lighter.
- For models with a safety tap (which interrupt the gas flow should the flame accidentally go out) the burners are ignited as described above, but ensure **the knob is pressed in for 5 to 6 seconds after the flame has ignited**. After this time, which gives the safety device enough time to cut-in, the flame will be on permanently.
- The flame can then be set between the maximum and minimum level. Any setting between "Gas valve closed" and the large flame is not recommended, as the flame is not stable in this interval and may be extinguished.
- To extinguish the flame and close the burner gas supply, rotate the control knob to the "Gas valve closed" position.

WARNING: once the cook top has been cleaned, ensure that the burners are firmly in their seats and do not interfere with the igniter.

WARNING: if the burner flame is extinguished accidentally, turn off the knob and leave it for at least one minute before trying to re-ignite it.

WARNING: The gas cooking appliance use may cause heat, humidity and products of combustion in the room where is installed. Ensure that the kitchen is well ventilated especially when the appliance is in use: keep open any natural ventilation holes or install a mechanical ventilation device (mechanical extractor hood). Prolonged intensive use of the appliance may call for additional ventilation, for example opening of a window, or more effective ventilation, for example increasing the level of mechanical ventilation where present.

Maintenance Schedule

No regular maintenance is required for the hotplates except cleaning.

CLEANING AND MAINTENANCE

Do not use a steam cleaning appliance to clean this appliance. The steam could reach the electrical components and cause a short circuit.

- The appliance should be cleaned regularly, preferably after each use, after cooling down.
- To avoid water marks and limescale deposits, use a soft cloth to dry surfaces that have been cleaned with water.
- Food that has boiled over can cause discolouration of the burner parts and the stainless steel cooktop. **Remove any soiling immediately.**

To avoid damaging the outer surfaces of your appliance, do not use:

- cleaning agents containing soda, alkalines, ammonia, acids or chlorides
- cleaning agents containing descaling agents
- stain or rust removers
- abrasive cleaning agents, e.g. powder cleaners and cream cleaners
- solvent-based cleaning agents
- dishwasher cleaner
- grill and oven cleaners
- glass cleaning agents
- hard, abrasive brushes or sponges, e.g. pot scourers, brushes or sponges which have been previously used with abrasive cleaning agents
- sharp pointed objects (these can damage the seal between the frame and the worktop).

Stainless steel surfaces

Clean stainless steel surfaces using a microfibrer cloth or with a solution of warm water and a little washing-up liquid applied with a soft sponge. In the case of stubborn dried-on soiling, soak first.

Finally, dry with a soft cloth.

The stainless steel appliance cleaner can be used to clean the frame when required.

Apply with an even pressure following the direction of the "grain".

The care product for stainless steel can be used after cleaning to help keep your appliance looking good and to hinder resoiling.

Apply sparingly with a soft cloth following the instructions on the packaging.

Printed surfaces

The printing can be damaged if soiling (e.g. food or fluids that contained salt, olive oil) is not removed immediately.

Remove any soiling immediately.

Do not use any stainless steel cleaner on printed surfaces.

This would rub off the print.

Pan support

Do not clean the pan support in a dishwasher.

Remove the pan support. Clean the pan support with a solution of warm water and a little washing-up liquid applied with a soft sponge. Stubborn soiling should be soaked first.

After cleaning, dry all surfaces with a clean cloth.

Control Knob

Remove the control knob. Clean the control knob with a solution of warm water and a little washing-up liquid applied with a soft sponge. Stubborn soiling should be soaked first.

After cleaning, dry all surfaces with a clean cloth.

Burners

Do not clean any parts of the burner in a dishwasher.

The burner should be dismantled and then cleaned by hand using a solution of warm water and a little washing-up liquid applied with a soft sponge.

Parts of the burner that cannot be removed should be wiped clean with a damp cloth only.

The ignition candle and the candle flame failure device should be very carefully wiped clean using a well wrung out cloth.

Do not let the ignitor get wet. If it gets wet, it will not spark.

After cleaning, dry all surfaces with a clean cloth.

Make sure that the flame slits are clean and completely dry.

The surface of the burner crown cover will become more matt with time. This is quite normal and will not affect the operation of the appliance.

Glass surface



Fig.1



Fig.2

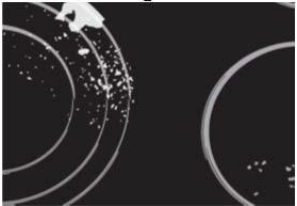


Fig.3



Fig.4

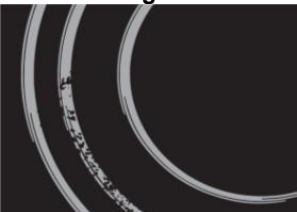


Fig.5

After each use of the glass surface, wait for it to cool down and clean it; otherwise, even the smallest food residue will be burnt onto the hot surface next time you use the appliance.

For regular cleaning and maintenance of the glass surface, use special conditioning agents that form a protective layer on the surface, shielding it from dirt.

Before each use wipe any dust or other particles from the surface and pan bottom as these could scratch the surface (Fig.1).

To clean the glass surface don't use:

- steel wool;
 - abrasive sponges;
 - abrasive detergents;
 - aggressive sprays;
 - decalcification agents;
- because they can scratch the surface (Fig.1 and Fig.2).

Stubborn and burnt residues can be removed:

- using special agents and utensils for cleaning the glass surface. When using these products, follow the instructions provided by their respective manufacturers;
- using a scraper. Make sure the plastic part of the scraper does not come into contact with a hot cooking zone. Be careful not to cut yourself with the scraper!

Light stains can be removed by a damp soft cloth; then, wipe the surface dry (Fig.3).

Water stains can be removed using a mild solution of vinegar however, do not use this solution to clean the frame (only with some models), as it may become dull.

WARNING: Make sure any residues of cleaning agents are thoroughly removed, as they could damage the glass.

Sugar and sugar-laden food may permanently damage the glass surface (Fig.5); therefore, they should be removed from the glass surface as soon as possible, although the cooking zone may still be hot (Fig.4).

Signs and indications on the glass surface may be worn (Fig.2) if are used:

- aggressive cleaning aids;
- steel wool;
- pans with damaged bottom;

Any change in the color of the glass surface:

- does not affect its operation or the stability of the surface;
- is mostly a result of burnt food residues or use of cookware made of materials such as aluminum or copper;

Warning: All damages described above predominantly relates to the aesthetics, i.e. appearance of the appliance and do not affect its functionality directly and cannot be the subject of a warranty claim.

PROBLEM SOLVING GUIDE

- During the warranty period, only a service center authorized by the manufacturer may carry out any repairs.
- Before making any repairs, make sure the appliance is disconnected from the power mains either by removing the fuse or by disconnecting the power plug from the wall outlet.
- Unauthorized tampering with and repairs of the kitchen range (cooking hob) can result in electric shock or short circuit; hence, do not attempt to perform any repairs by yourselves. Leave such tasks to an expert or an authorized service unit.
- In case of minor faults or problems with the appliance operation, check the following instructions to see whether you can eliminate the causes by yourselves.
- Elimination of any errors or warranty claims that resulted from improper connection or use of the appliance is not covered by our warranty. In such cases, the costs of repair are borne by the user.

Following is some advice on rectifying some common problems.

| PROBLEM | POSSIBLE CAUSE | REMEDY |
|--|--|---|
| The flame is uneven / unstable | Wrong gas power setting | Have an expert check the gas pipeline! |
| Burner will not light even though the spark is working | Knob not held down long enough in "High" position for flame safeguard to engage | Repeat lighting procedure and hold knob down for 6 seconds in 'High' position (refer page 10) |
| | Gas supply valve turned off | Turn on gas supply to appliance |
| | Wrong knob turned | Ensure the knob you are turning corresponds to the burner you want to light |
| | Port blockage in ignition area | Ensure that ports in ignition area are clean and dry |
| | Ignition spark plugs wet or dirty | Dry or clean ignition spark plugs |
| | Injector blocked | Ensure the injector remains free of any foreign material. If necessary, use a thin piece of wire to clear the orifice |
| The flame from the burners suddenly changes | Wrongly assembled parts of the kitchen hob | Assemble the burner correctly |
| Burner ignition takes more time | Wrongly assembled parts of the kitchen hob | Assemble the burner correctly |
| The grid has discoloured in the burner area | This is a commonplace phenomenon resulting from high temperature | Clean the grid with a metal care detergent |
| Electric power supply in general is interrupted | The fuse may be blown | Check the fuse in the fuse box and replace it if it is blown |
| Electric ignition of the burners no longer works | There are food or detergent residues between the spark plug and the burner | Open and carefully clean the opening between the spark plug and the burner |
| If the burner cover looks unappealing | Regular dirt | Clean the burner covers with a metal care detergent |
| Benchtop or knobs overheating | Incorrect cooking pot or pan used | Check table on page 3 for correct pot or pan to be used |
| | Pot or pan not located on burner properly | Ensure pot or pan is centrally located on burner |
| Cooktop stainless steel discoloured | Pot or pan being is too large | Ensure pot sizes used are as per user manual requirements (refer page 11 for cleaning) |
| Outer ring of Dual Crown burner goes out when set to low | This is not a failure. This is a function of the Dual Crown burner to give a very low power flame option | No remedy - burner is functioning as intended |

If the problem persists despite observing the instructions above, call an authorized service technician.



Franke S.p.A.
via Pignolini, 2
37019 Peschiera del Garda (VR)
www.franke.it

1301801324_Rev.2_20.12.2019