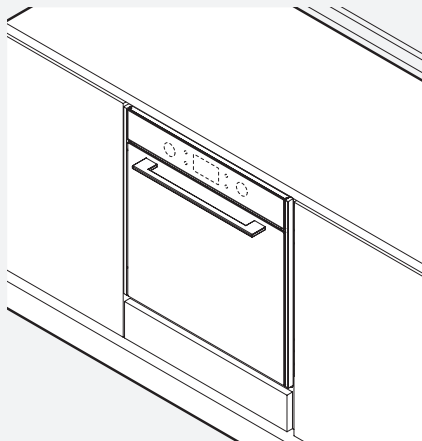


Frames by Franke



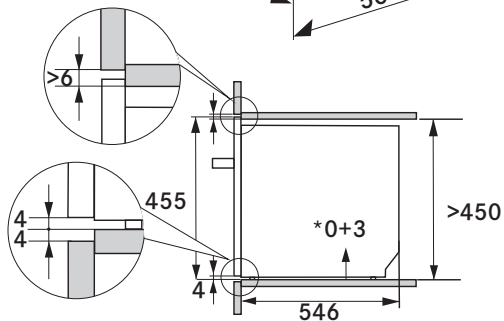
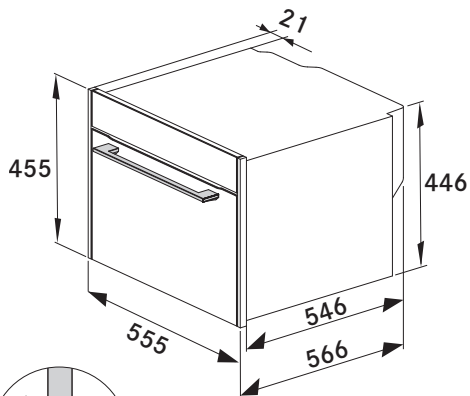
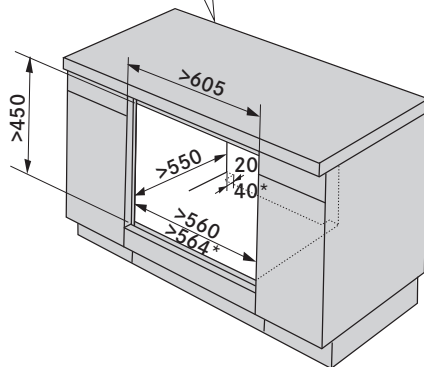
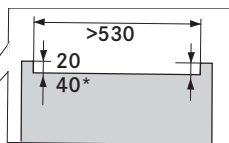
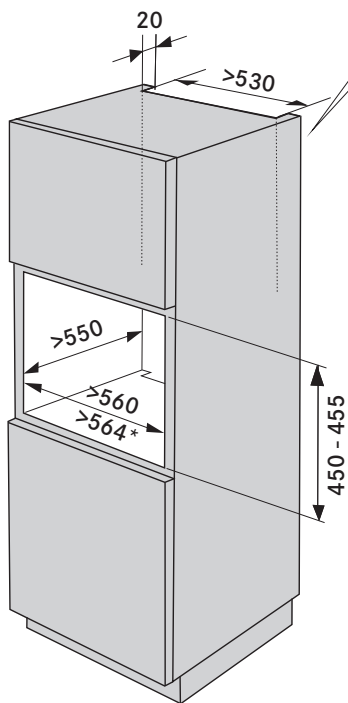
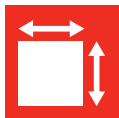
FSO45FSCTFTBKXS

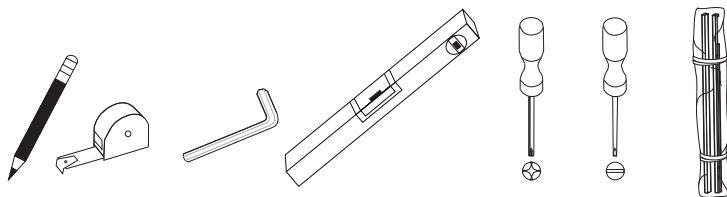
FMW45FSCTDTBKXS

EN Installation manual
DE Installationsanleitung
FR Manuel d'installation
NL Installatiehandleiding
IT Manuale di installazione
ES Manual de instalación
PT Manual de instalação
EL Εγχειρίδιο εγκατάστασης
DA Installationsvejledning
NO Installasjonsmanual
SV Installationsanvisning
CS Montážní návod
PL Instrukcja montażu
SK Návod na inštaláciu
RO Manual de instalare
BG Ръководство за монтаж
UK Посібник зі встановлення
RU Руководство по установке
TR Kurulum kılavuzu
ZH 安装手册
AR دليل المستخدم

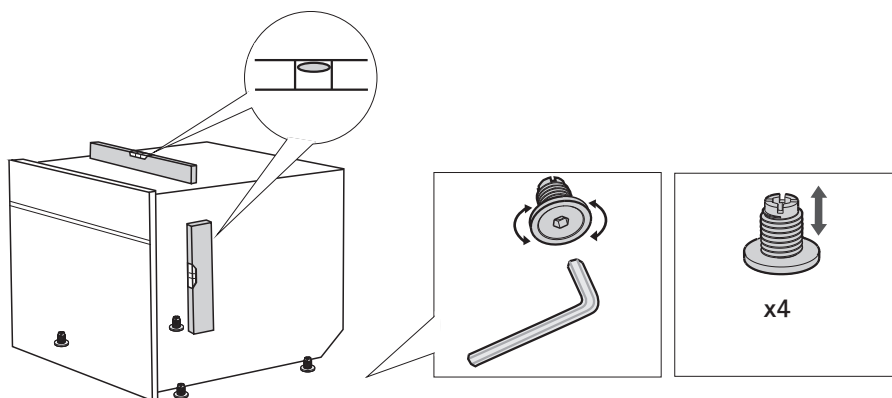
Compact Oven
Kompaktoven
Four compact
Compacte oven
Forno compatto
Horno compacto
Forno Compacto
Φούρνος compact
Kompakt ovn
Kompaktovn
Kompakt ugn
Kompaktní trouba
Piekarnik kompaktowy
Kompaktná rúra
Cuptor compact
Компактна фурна
Компактна піч
Компактная печь
Kompakt Fırın
紧凑型烤箱
فرن صغير الحجم

FRANKE

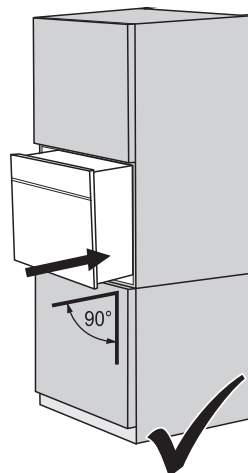
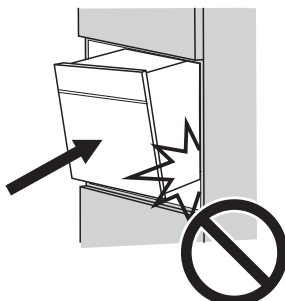
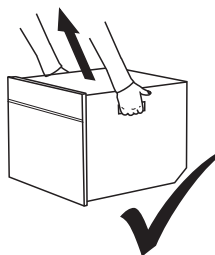




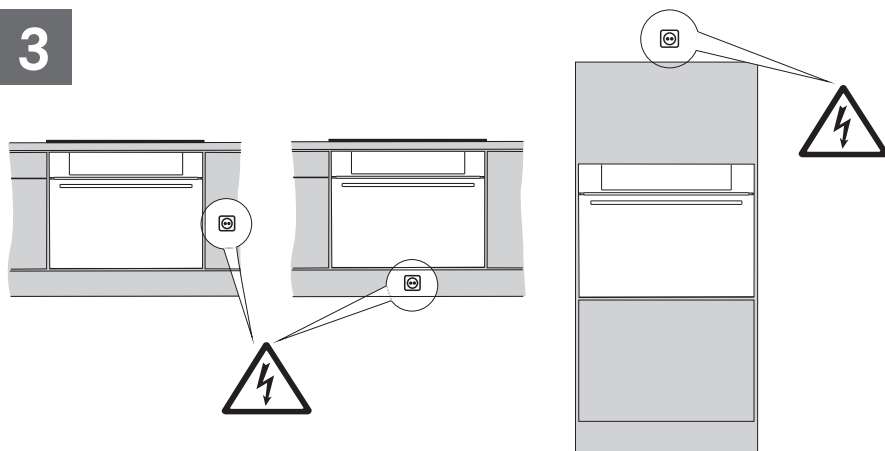
1



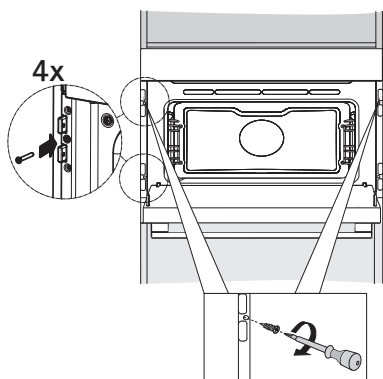
2



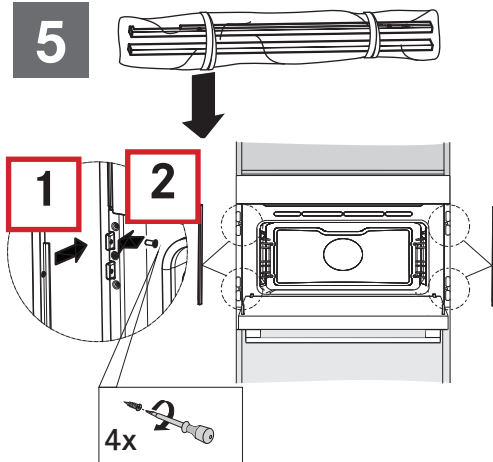
3



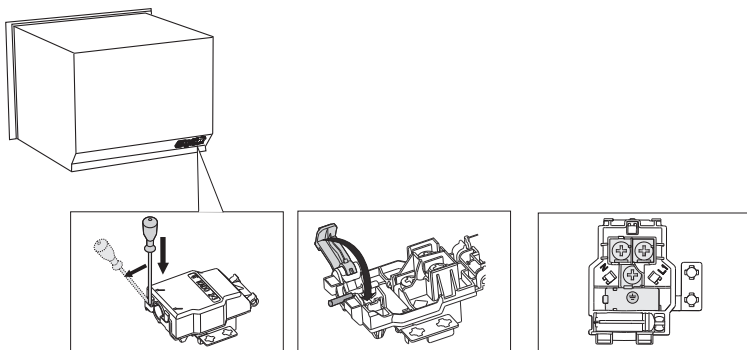
4



5



6



INSTALLATION

Installation must be carried out in compliance with current standards and regulations.

Installation must only be carried out by a licensed electrician in accordance with the latest wiring rules AS/NZS 3000.

Cabinet requirements

For fitted units, the components (plastic materials and veneered wood) must be assembled with heat-resistant adhesives (min. 100°C): Unsuitable materials and adhesives can result in warping and detachment.

The cabinet for the oven must allow sufficient room for the electrical connections of the oven.

The cabinet for the oven must be sturdy enough to withstand the weight of the oven. The oven must be securely installed in the recess. The oven can be installed in a column housing unit or below the countertop of a modular unit, provided sufficient ventilation is guaranteed.

Electrical connection

FRANKE ovens are supplied with a power cable.

- ▶ Make sure the characteristics of the household electrical system (voltage, maximum power and current) are compatible with those of the oven.

If the oven is to be permanently connected to the power supply:

- ▶ Install a device that enables disconnection from the power supply, with a contact opening distance (3 mm) that ensures complete disconnection in category III overvoltage conditions. The means for disconnection must be incorporated in the fixed wiring in accordance with the wiring rules.

- ▶ Ensure the following:

- The oven does not rest against the cable when installed in the cabinet.
- A 3 x 1.5 mm² H05V2V2-F type cable is used when replacing the power cable.

REPAIR

If the power cable is damaged, it must be replaced by the manufacturer or the service or by a person with similar qualifications, in order to avoid any risks.

TECHNICAL DATA

Power supply

FSO45FSCTFTBKXS	220-240 V, 50-60 Hz
-----------------	---------------------

FMW45FSCTDTBKXS	220-240 V, 50-60 Hz
-----------------	---------------------

Total power and fuse rating	3000 W - FMW45FSCTFTBKXS 2600W - FSO45FSCTFTBKXS
-----------------------------	---

Power and heating elements

Radial motor	27 ... 40 W
--------------	-------------

Light bulb	2x 25 W
------------	---------

Tangential fan	15 ... 35 W
----------------	-------------

Heating element, roof	900 W/220-240 V
-----------------------	-----------------

Heating element, floor	850 W
------------------------	-------

Heating element, small grill	1300 W
------------------------------	--------

Heating element, large grill	2200 W
------------------------------	--------

Argentina

Industrias Spar San Luis S.A.
Buenos Aires 1008
Phone +54 11 4311 7655

Belgium

Franke N.V.
9400 Ninove
Phone +32 54 310 111

Brazil

Franke Sistemas de
Cozinhas do Brasil Ltda.
89219-512 Joinville, SC
Phone +55 47 3431 0501

Canada

Franke Kindred Canada Ltd.
Midland, ON L4R 4K9
Phone +1 866 687 7465

China

Franke (China) Kitchen
Systems Co., Ltd.
Heshan, Guangdong,
529700
Phone +86 750 841 9288
Shanghai office +86 215
150 6715

Czech Republic

Franke s.r.o.
190 00 Praha 9
Phone +420 281 090 411

Denmark

Franke KS Denmark
8520 Lystrup
Phone +45 8624 9024

Egypt

Franke Kitchen Systems
Egypt S.A.E.
6th of October City
Phone +202 3828 0000

Finland

Franke Finland Oy
76850 Naarajärvi
Phone +358 15 341 11

France

Franke France S.A.S.
60230 Chambly
Phone +33 130 289 400

Germany

Franke GmbH
79713 Bad Säckingen
Phone +49 7761 52 0

Greece

Franke Hellas S.A.
19003 Markopoulo Attikis
(Athens)
Phone +30 22991 500 00

Hong Kong SAR

Franke Asia Hong Kong
Causeway Bay
Phone +852 3184 1900

India

Franke Faber India Limited
Aurangabad - 431 136
Phone +91 240
2556697/98

Italy

Franke S.p.A.
37019 Peschiera del Garda
Phone +39 045 644 9311

Kazakhstan

Franke Kazakhstan Ltd.
040918 Almaty City
Phone +7 727 297 3812

Morocco

Franke Kitchen System SARL
21 000 Casablanca
Phone +212 522 674 200

Norway

Franke KS Norway
8520 Lystrup, Denmark
Phone +47 35 566 450

Poland

Franke Polska Sp. z o.o.
05-090 Raszyn
Phone +48 22 711 6700

Portugal

Franke Portugal S.A.
2735-531 Cacém
Phone +351 21 426 9670

Romania

Franke Romania SRL
Pantelimon 077145
Phone +40 21 350 1550

Russia

Franke Russia GmbH
199106 St. Petersburg
Phone +7 812 703 1503

Singapore

Franke Singapore Pte. Ltd.
068811 Singapore
Phone +65 6709 5608

Slovak Republic

Franke Slovakia s.r.o.
010 01 Žilina
Phone +421 41 733 6200

South Africa

Franke Kitchen Systems
(Pty.) Ltd.
Durban 4052
Phone +27 31 450 6300

Spain

Franke España S.A.U.
08174 Sant Cugat del Vallès
Phone +34 93 565 3535

Sweden

Franke Futurum AB
930 47 Byske
Phone +46 912 405 00

Switzerland

Franke Küchentechnik AG
4663 Aarburg
Phone +41 62 787 3131

Thailand

Franke (Thailand) Co., Ltd.
Bangkok 10120
Phone +66 2 612 7900

The Netherlands

Franke Nederland B.V.
5700 AD Helmond
Phone +31 492 585 111

Turkey

Franke Mutfak ve Banyo
Sistemleri Sanayi ve
Ticaret A.S.
41400 Gebze Kocaeli
Phone +90 262 644 6595

Ukraine

Franke Ukraina LLC
02081 Kyiv
Phone +38 044 492 0015

United Arab Emirates

Franke LLC
Ras Al Khaimah
Phone +971 7 203 4700

United Kingdom

Franke UK Ltd.
Manchester M22 5WB
Phone +44 161 436 6280

USA

Franke Kitchen Systems LLC
Smyrna, TN 37167
Phone 800 626 5771



Make
it
Wonderful