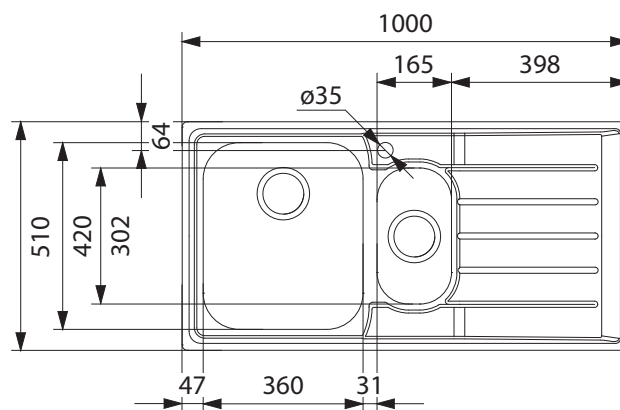


NEX 651 RHD NEPTUNE SINK



PRODUCT INFORMATION

Installation	Topmount
Dimensions	1000(W) x 510(H)mm
Cabinet Base	600mm
Bowl Size	360(W) x 420(H) x 190(D)mm/28L 165(W) x 302(H) x 130(D)mm/6L
Bowl Radius	50mm
Cut-Out Size	984 x 494mm, cr=20
Cut-Out Template	No
Waste Outlet	Semi Integrated Waste
Overflow	No
Tap Holes	ø35mm
Remote Waste	No
Finish	Stainless Steel



1 ACCESSORIES AVAILABLE **1** ACCESSORIES INCLUDED

BARE SINK OPTION AND SOME SINK & TAP PACKAGES DO NOT INCLUDE ACCESSORIES.
PLEASE CHAT TO YOUR SALES CONSULTANT FOR FURTHER INFORMATION.

ACCESSORIES



LAST UPDATED: 28 JAN 2021