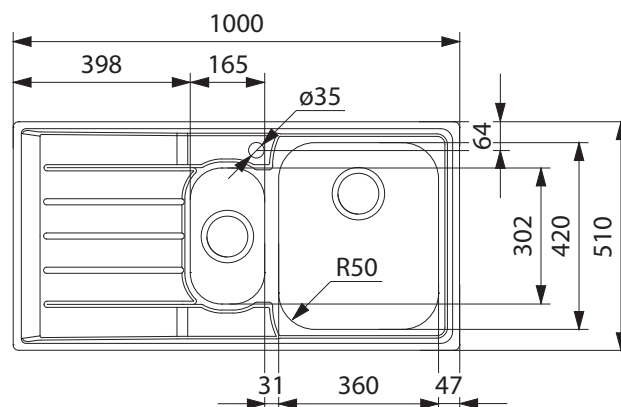


# NEX 651 LHD NEPTUNE SINK



## PRODUCT INFORMATION

<b>Installation</b>	Topmount
<b>Dimensions</b>	1000(W) x 510(H)mm
<b>Cabinet Base</b>	600mm
<b>Bowl Size</b>	360(W) x 420(H) x 190(D)mm/28L 165(W) x 302(H) x 130(D)mm/6L
<b>Bowl Radius</b>	50mm
<b>Cut-Out Size</b>	984 x 494mm, cr=20
<b>Cut-Out Template</b>	No
<b>Waste Outlet</b>	Semi Integrated Waste
<b>Overflow</b>	No
<b>Tap Holes</b>	ø35mm
<b>Remote Waste</b>	No
<b>Finish</b>	Stainless Steel



**1** ACCESSORIES AVAILABLE **1** ACCESSORIES INCLUDED

BARE SINK OPTION AND SOME SINK & TAP PACKAGES DO NOT INCLUDE ACCESSORIES.  
PLEASE CHAT TO YOUR SALES CONSULTANT FOR FURTHER INFORMATION.

## ACCESSORIES

- |   |   |   |  |   |
|---|---|---|--|---|
| <b>1</b><br> | <b>2</b><br> | <b>3</b><br> | <b>4</b><br> | <b>5</b><br> |
| <b>CB 601</b><br>Chopping Board   | <b>CB 523</b><br>Chopping Board   | <b>ST 602</b><br>Strainer Tray  | <b>DB 664</b><br>Drainer Basket  | <b>RM 44</b><br>Rollamat  |

LAST UPDATED: 28 JAN 2021