



UV-Kleen™ PersonalAirKleen 40

Personal Air sanitizing system designed for an individual's desk space

PersonalAirKleen 40 is a high-intensity, portable UV-C sanitizing fixture designed to be set on a desk or other surface to sanitize the personal space of an individual, i.e., teacher, bank teller or cashier.

Key Features:

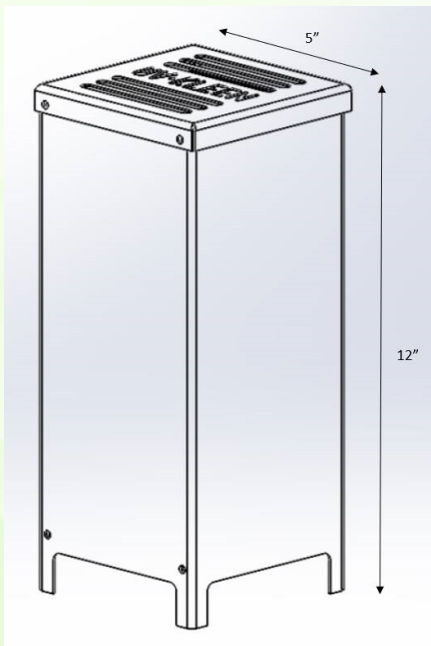
- FDA listed and tested on coronavirus
- Portable, easy to carry from desk to table
- One quiet 30CFM fan to air exchange, sanitizing the air in 0.11 seconds
- Made in the USA

Applications:

Tabletops, kitchens, office desks and conference rooms

Operational Procedure:

Easy to use.



Technical Specifications:

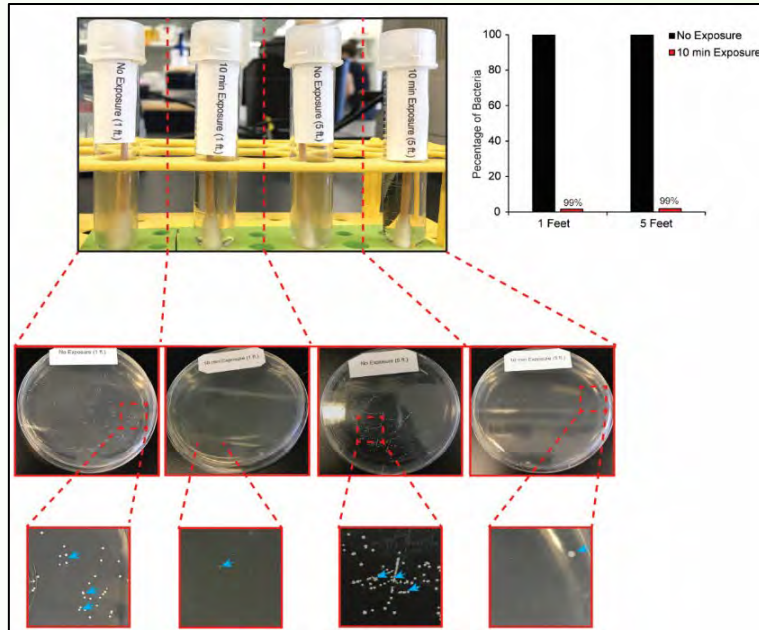
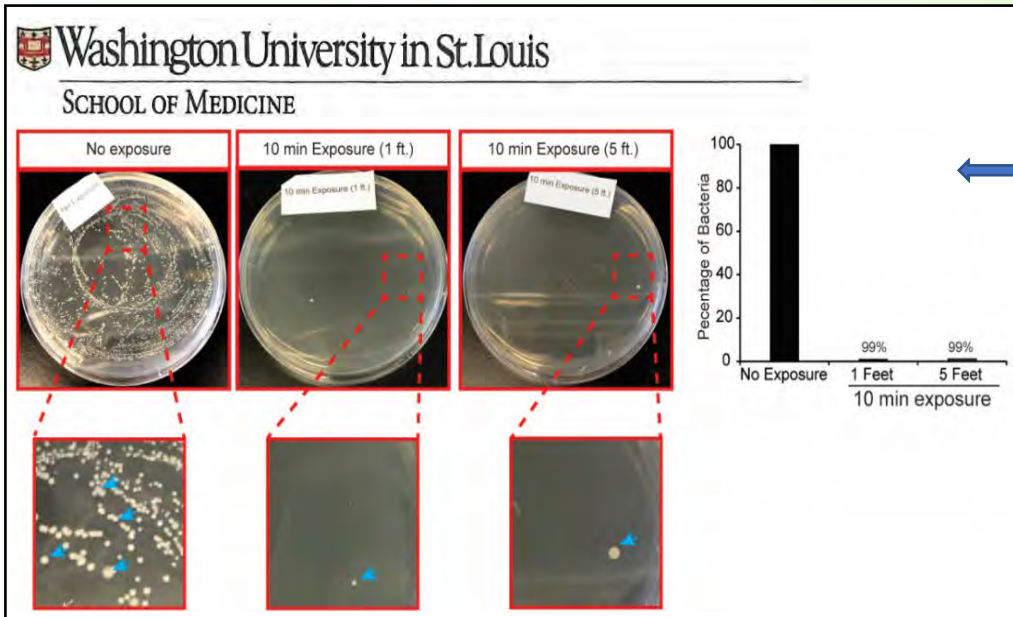
- Patented design: 120-277Vac 50/60Hz, 0.99 power factor, <10% current THD
- Germicidal UV range, 253.7 UVC
- High quality Aluminum 5052 #4 Mill finish
- 1 quiet fan with 30CFM (1-year warranty)
- Supplied with 6ft 115v power cord and switch
- Lightweight - 4 lbs.

Warranty:

Lamp and Ballast: 1 year

Safe to operate with occupants in the room

Test Results:



99.9% kill rate on Virus

Report No.: 2020FM02804R02E

Virus	Action Time	Serial Number	Air virus content (TCID ₅₀ /m ³)	Killing rate (%)
H1N1 Influenza virus (A/PR/8/34) Host cell: MDCK	0 (CK)	1	1.94×10 ⁶	
		2	1.73×10 ⁶	
		3	1.44×10 ⁶	
	2h	1	4.06×10 ²	99.93
		2	3.08×10 ²	99.92
		3	1.94×10 ²	99.95

Note: The natural decay of the microorganisms in the air has been eliminated.

Represented By:

O&M Resources, Inc.
13201 NW Freeway, Ste. 800
Houston, TX 77040
(281) 456-3568
info@omresources.net
www.UVKleen.us

