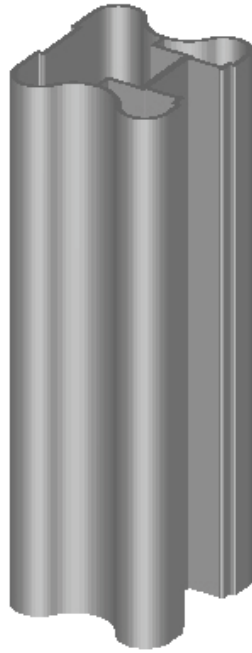
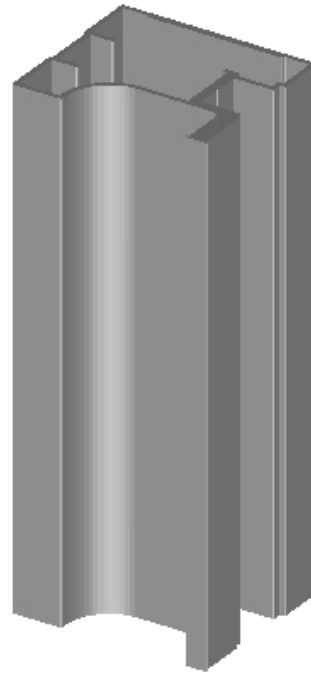


Aristo Door Trim Stiles



H type

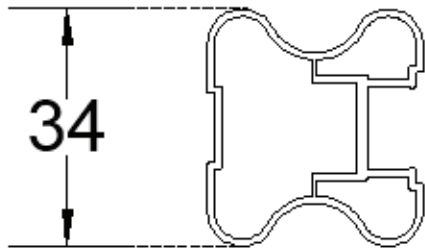
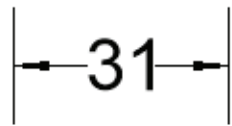


Fusion type

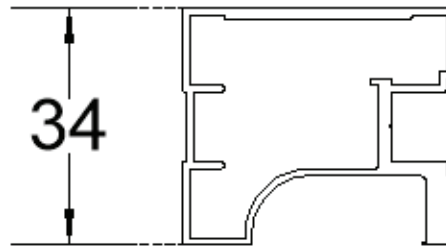
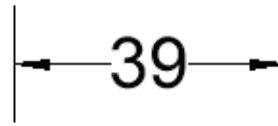


Contour type

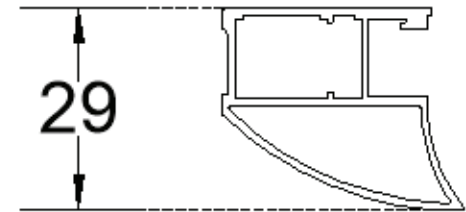
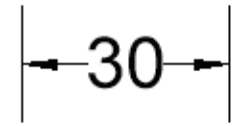
Aristo Door Trim Stiles



H type



Fusion type

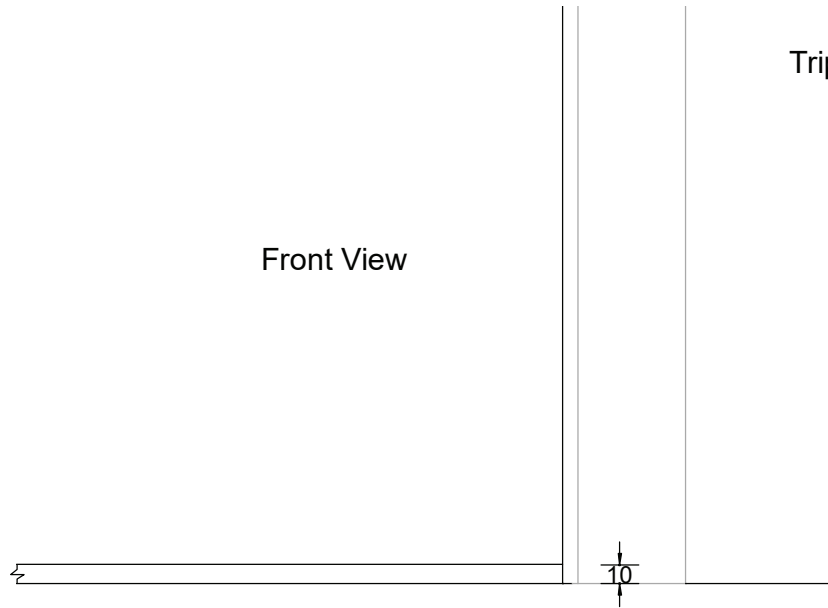


Contour type

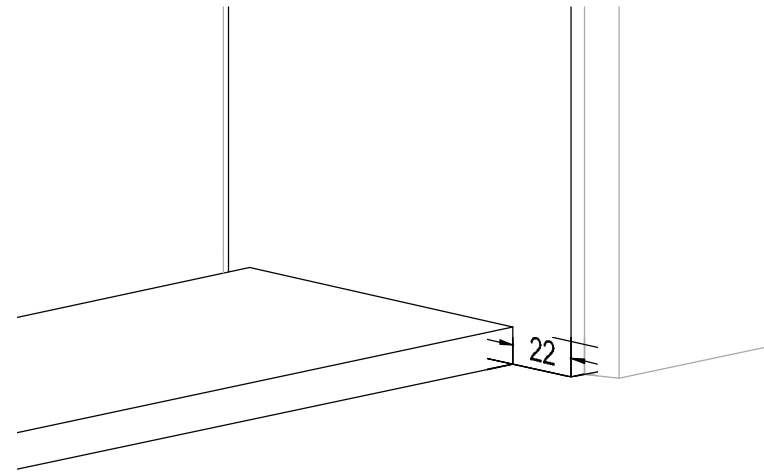
Aristo Contour Door Triple Track Floor Packer Detail

Triple Track Packer Dimensions-
100mm x 10mm

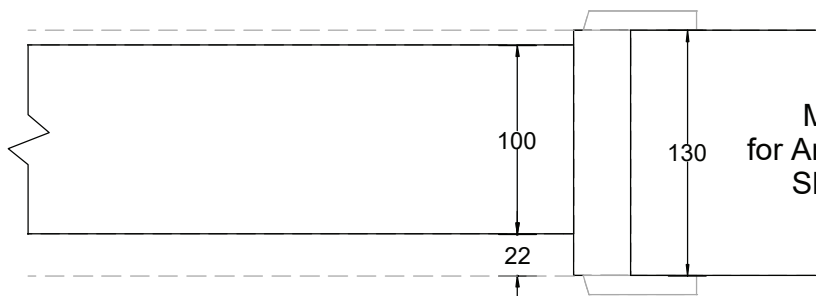
Front View



3D View



Plan View



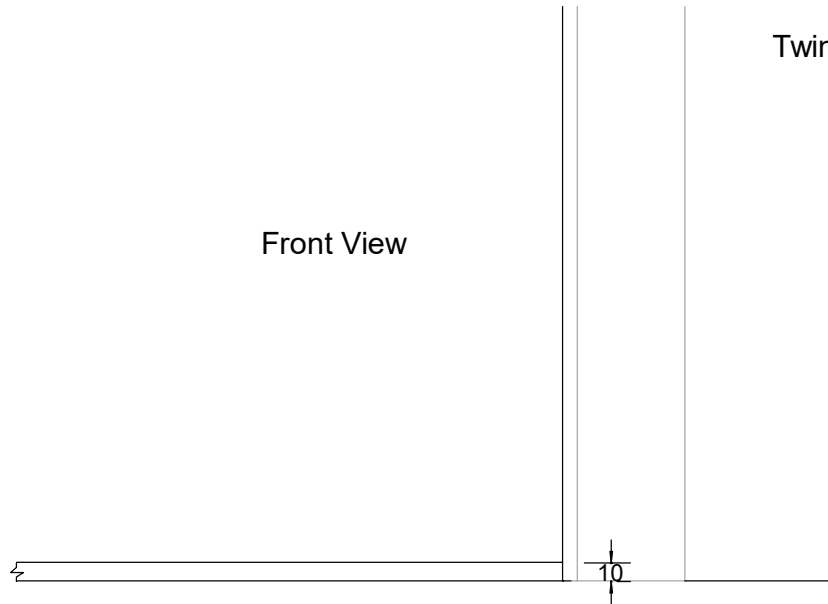
Minimum Jamb Depth
for Aristo Contour Triple Track
Sliding Doors = 130mm

Packer to be fitted 22mm from
FRONT EDGE OF JAMB
(not architrave)

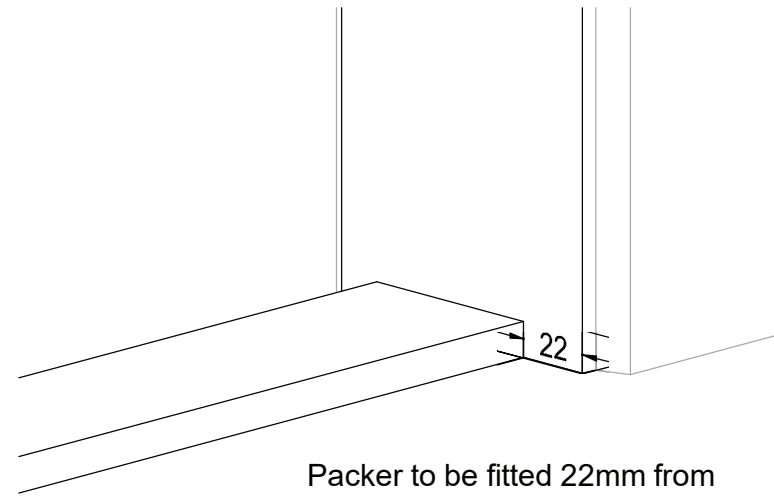
Aristo Contour Door Twin Track Floor Packer Detail

Twin Track Packer Dimensions-
55mm x 10mm

Front View

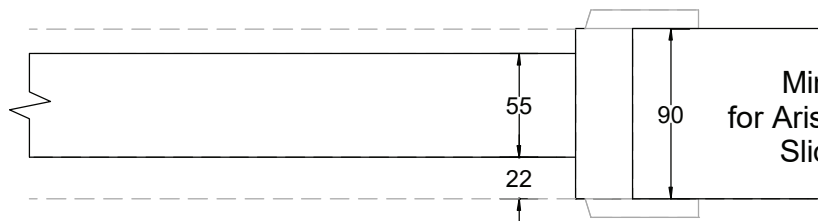


3D View



Packer to be fitted 22mm from
FRONT EDGE OF JAMB
(not architrave)

Plan View

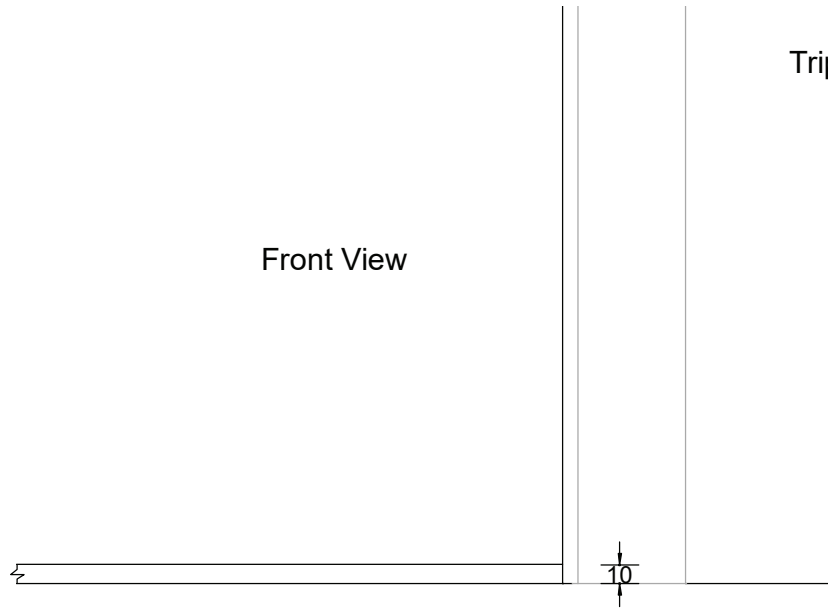


Minimum Jamb Depth
for Aristo Contour Twin Track
Sliding Doors = 90mm

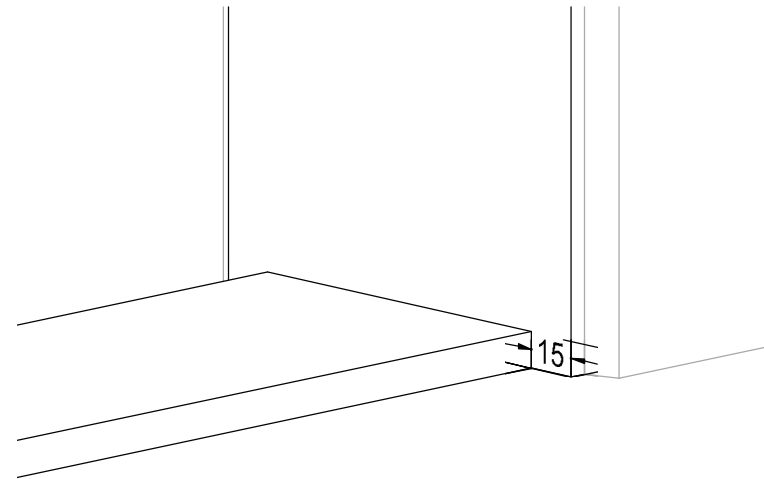
Aristo Fusion Door Triple Track Floor Packer Detail

Triple Track Packer Dimensions-
100mm x 10mm

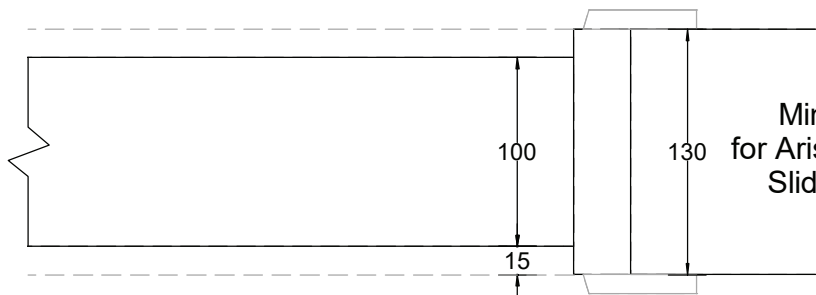
Front View



3D View



Plan View



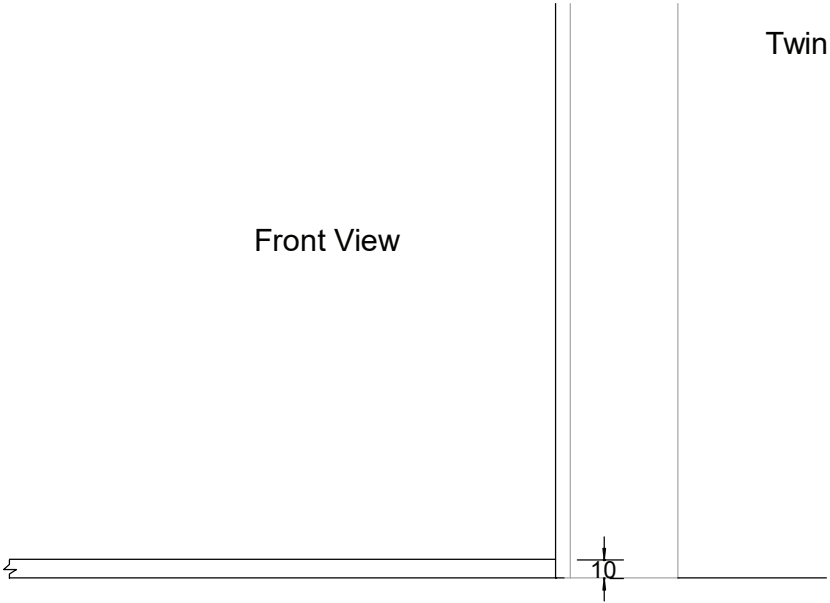
Minimum Jamb Depth
for Aristo Fusion Triple Track
Sliding Doors = 130mm

Packer to be fitted 15mm from
FRONT EDGE OF JAMB
(not architrave)

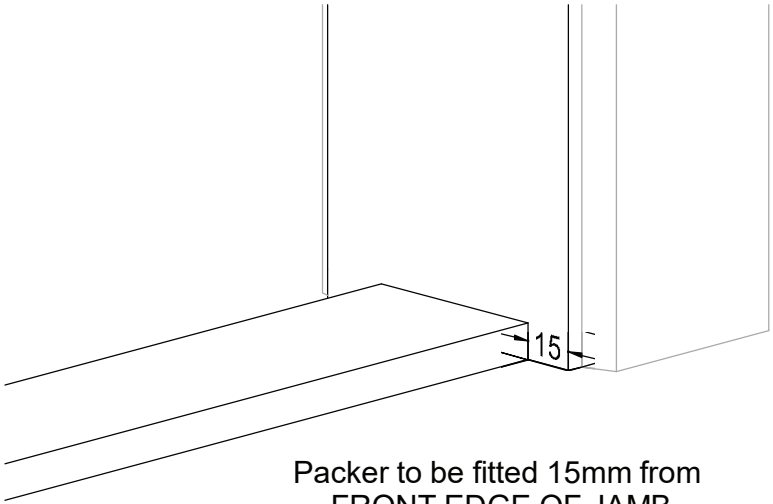
Aristo Fusion Door Twin Track Floor Packer Detail

Twin Track Packer Dimensions-
55mm x 10mm

Front View

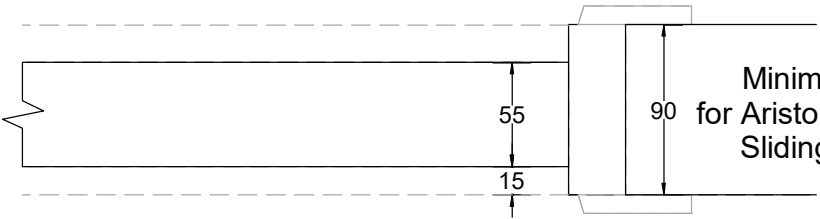


3D View



Packer to be fitted 15mm from
FRONT EDGE OF JAMB
(not architrave)

Plan View

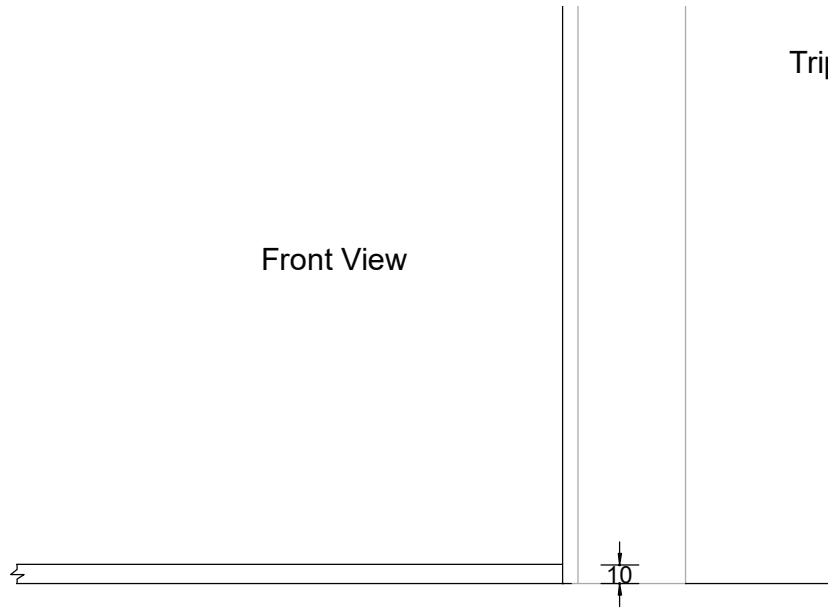


Minimum Jamb Depth
for Aristo Fusion Twin Track
Sliding Doors = 90mm

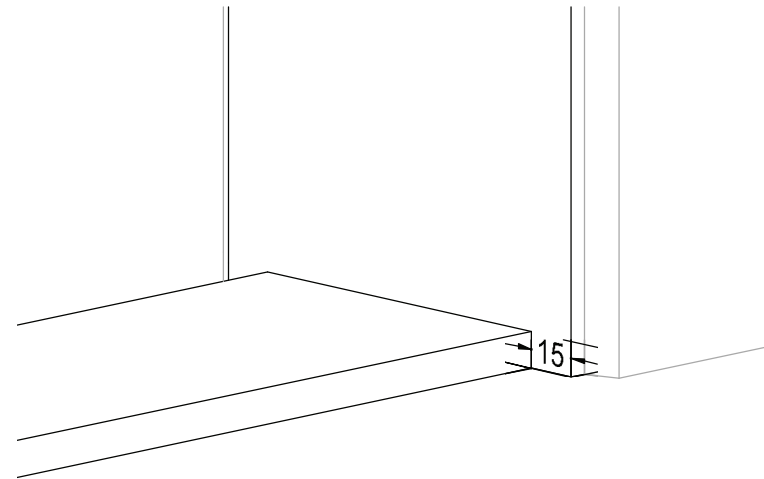
Aristo H Profile Door Triple Track Floor Packer Detail

Triple Track Packer Dimensions-
100mm x 10mm

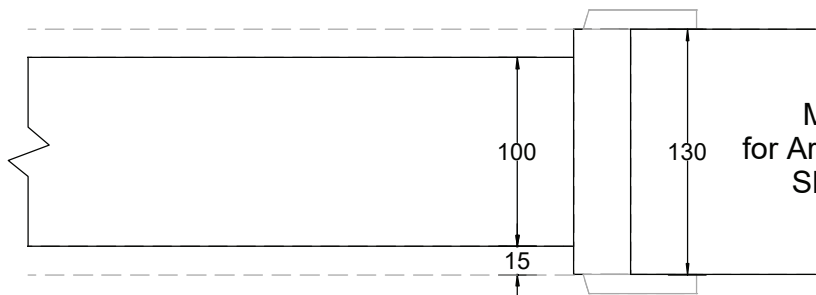
Front View



3D View



Plan View



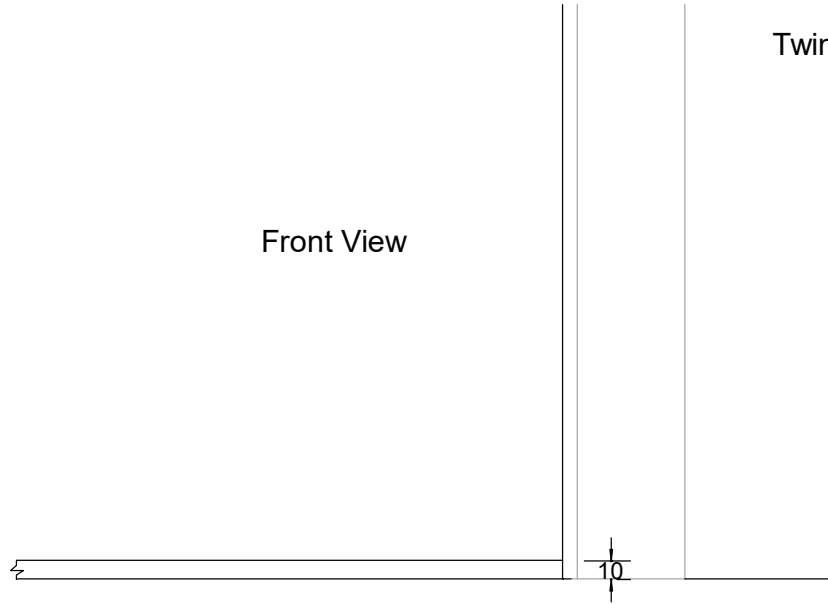
Minimum Jamb Depth
for Aristo H Profile Triple Track
Sliding Doors = 130mm

Packer to be fitted 15mm from
FRONT EDGE OF JAMB
(not architrave)

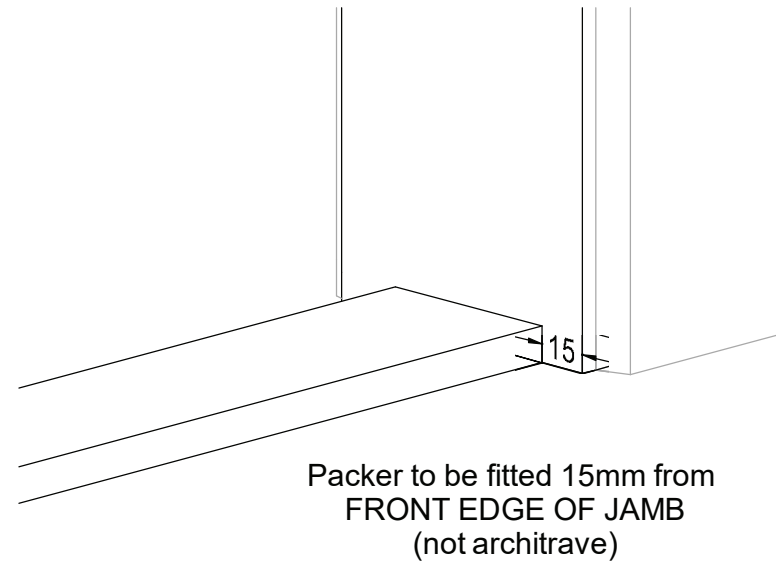
Aristo H Profile Door Twin Track Floor Packer Detail

Twin Track Packer Dimensions-
55mm x 10mm

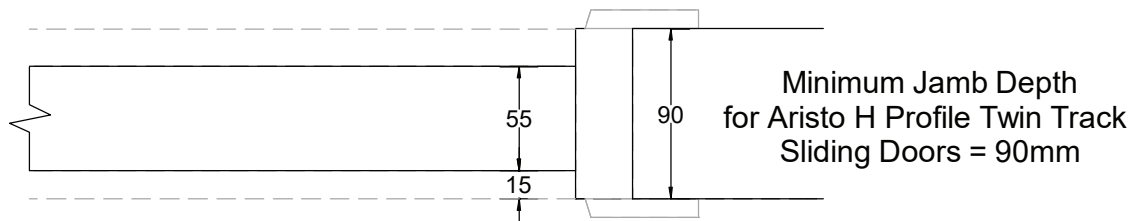
Front View



3D View



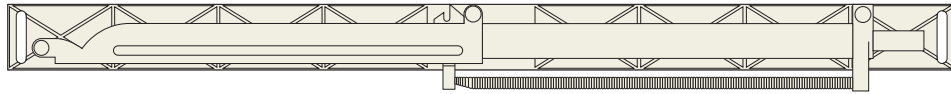
Plan View



SCHEME OF INSTALLATION OF THE DOOR CLOSER

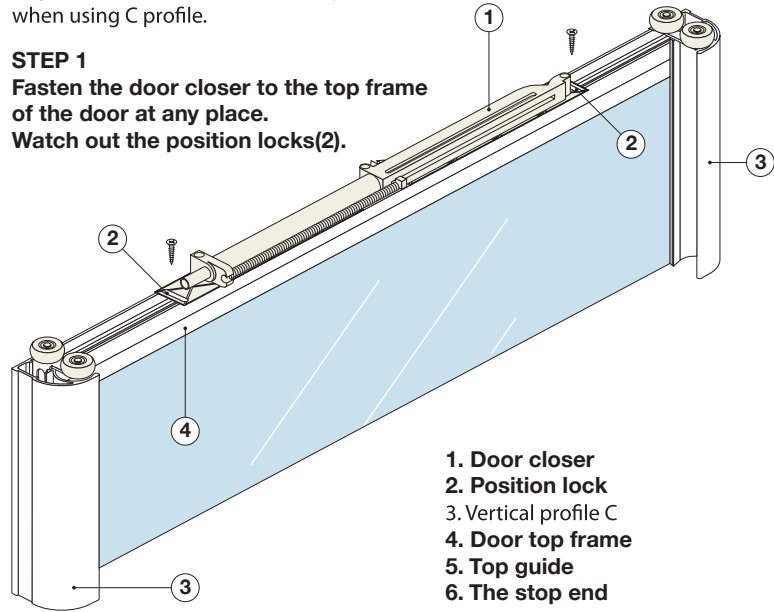
Left door closer

Right door closer



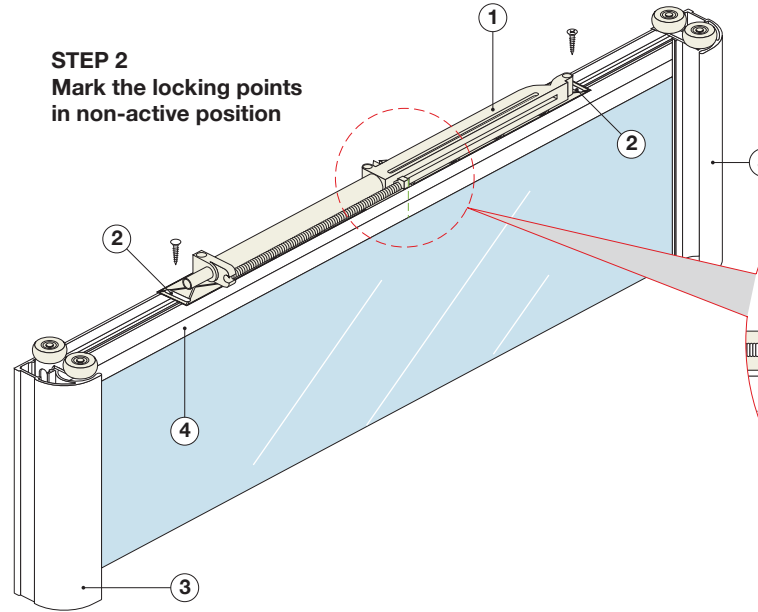
Important! The door closer may be installed when using C profile.

STEP 1
Fasten the door closer to the top frame of the door at any place.
Watch out the position locks(2).



- 1. Door closer
- 2. Position lock
- 3. Vertical profile C
- 4. Door top frame
- 5. Top guide
- 6. The stop end

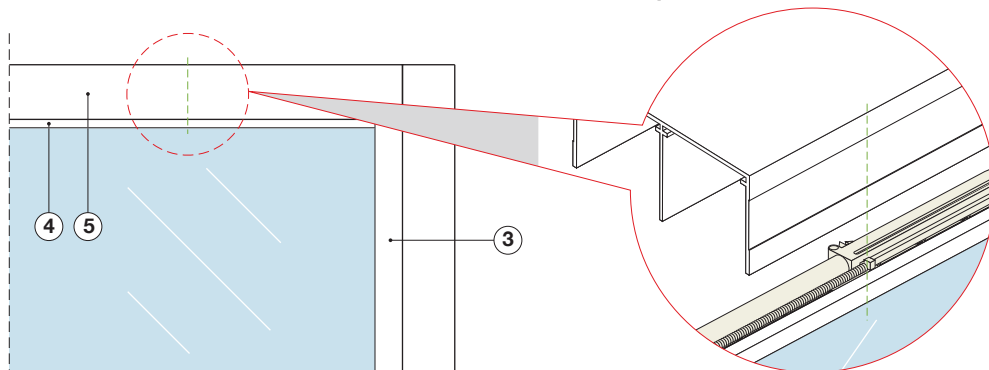
STEP 2
Mark the locking points in non-active position



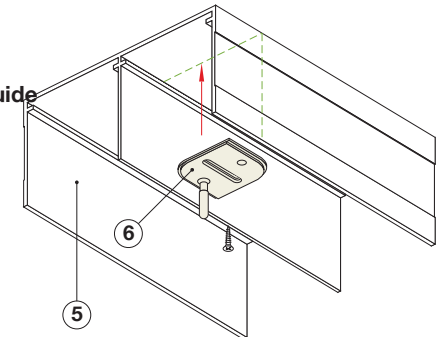
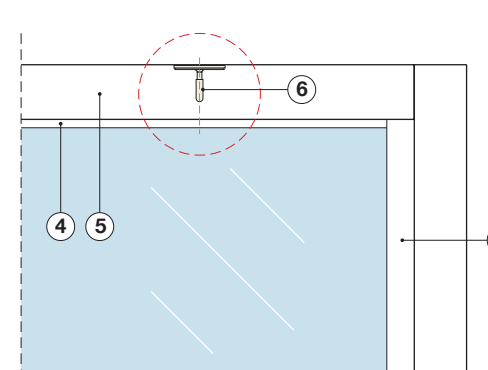
Before installing the door activate(charge)the door closer.

STEP 3
Install the door on the guides in the "CLOSED" position.

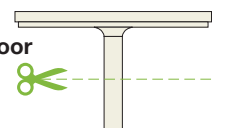
Mark the top guide at the point matching the before made mark on the door top frame.



STEP 4
Insert (with a click)the stop end into the top guide according to the marks made before.

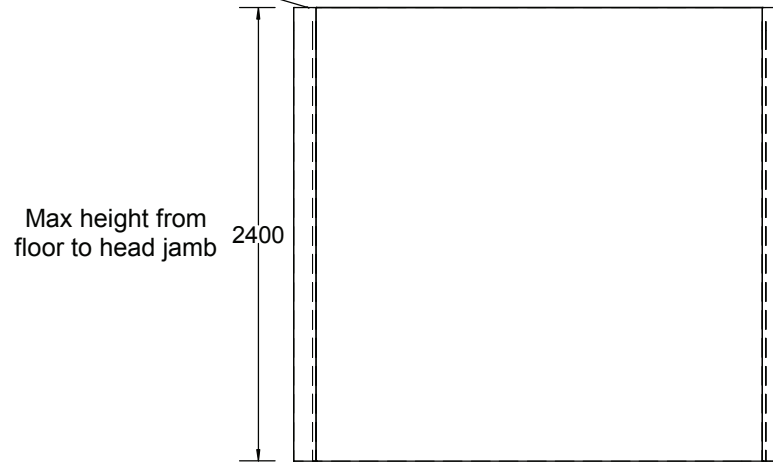
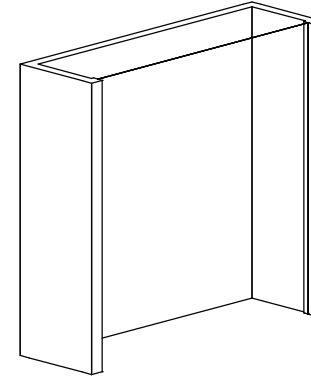


Shorten the stop end so that the door wheels don't hinder it.



Aristo 2 sliding doors

*Head track can be concealed by dropping architrave or pelmet 60mm from head jamb

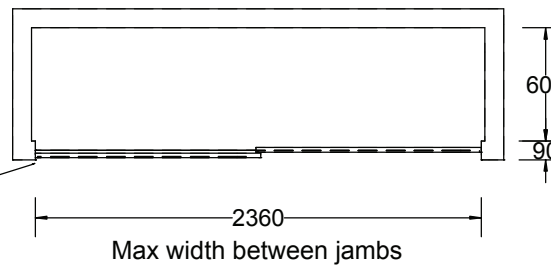


*Both side jambs and a head jamb are required.

*Opening should be plumb, level and square.

*Variance in floor can be accounted for by Boston

Reduce return walls where possible to allow for greater access



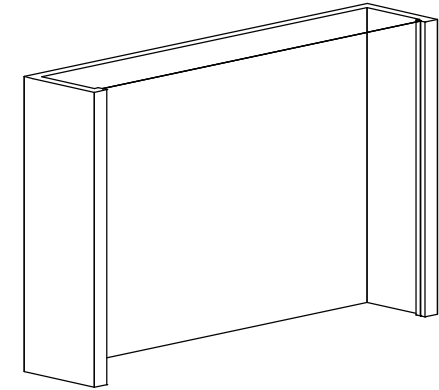
Aristo

3 sliding doors on triple track

*Head track can be concealed by dropping architrave or pelmet 60mm from head jamb

Max height from floor to head jamb

2400



*Both side jambs and a head jamb are required.

*Opening should be plumb, level and square.

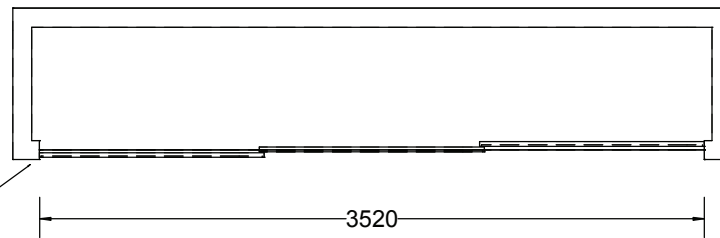
*Variance in floor can be accounted for by Boston

600 Recommended Internal depth

130 Jamb width

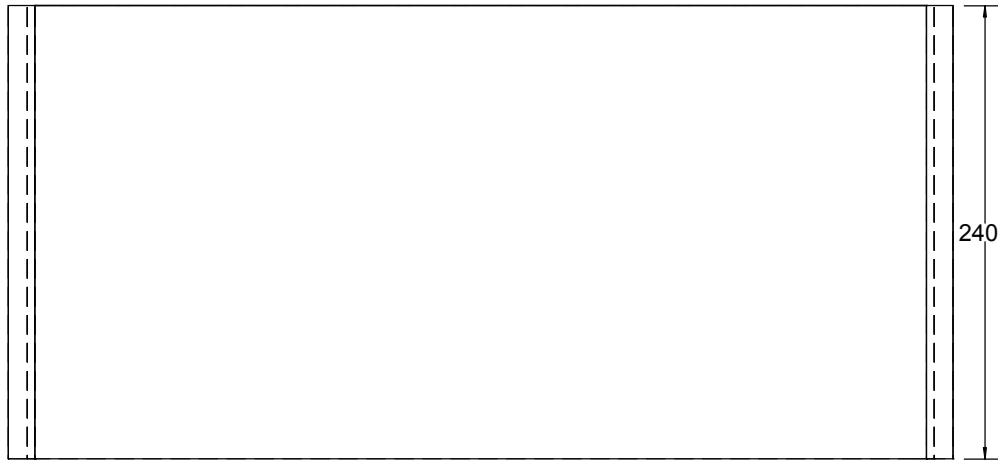
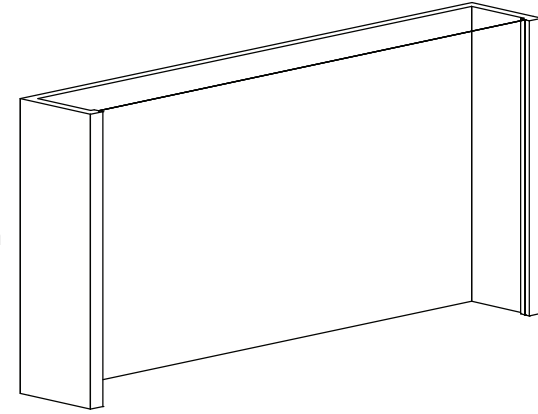
3520
Max width between jambs

Reduce return walls where possible to allow for greater access



4 sliding doors on twin track

*Head track can be concealed by dropping architrave or pelmet 60mm from head jamb



2400 Max height from floor to head jamb

*Both side jambs and a head jamb are required.

*Opening should be plumb, level and square.

*Variance in floor can be accounted for by Boston

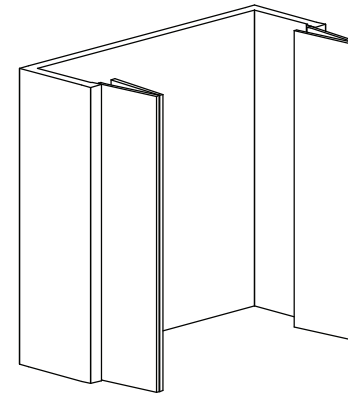


600 Recommended Internal depth
90 Minimum jamb width

4720 Max width between jambs

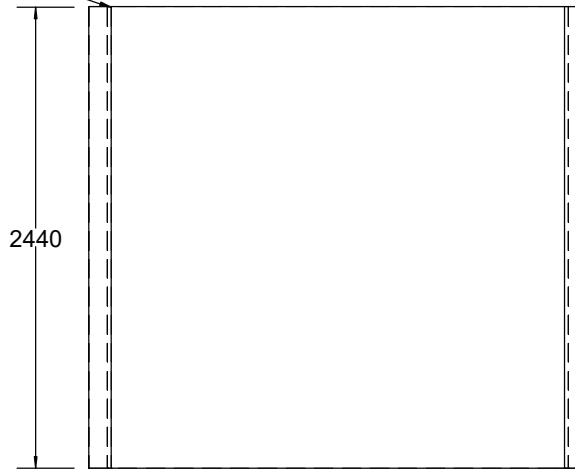
Reduce return walls where possible to allow for greater access

Aristo Bi-fold Doors



Head track must be concealed by dropping architrave or pelmet 38mm below head jamb.

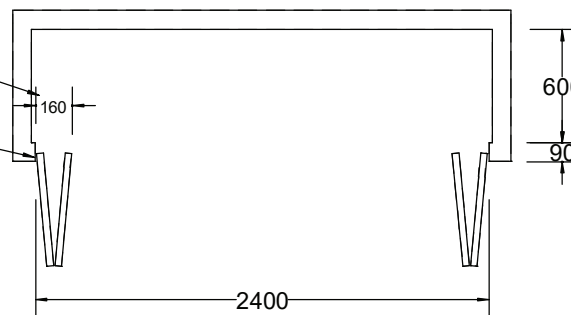
Standard maximum height from finished floor to head jamb (can go to 2700H on a case by case basis)



Both side jambs and a head jamb are required

The opening is required to be plumb, level and square to within 3mm

Doors sit out 160mm from jamb when opened
Doors sit 80mm in from the front of the track into the wardrobe when opened



Minimum internal depth for wardrobes

Minimum jamb width

Maximum width between jambs