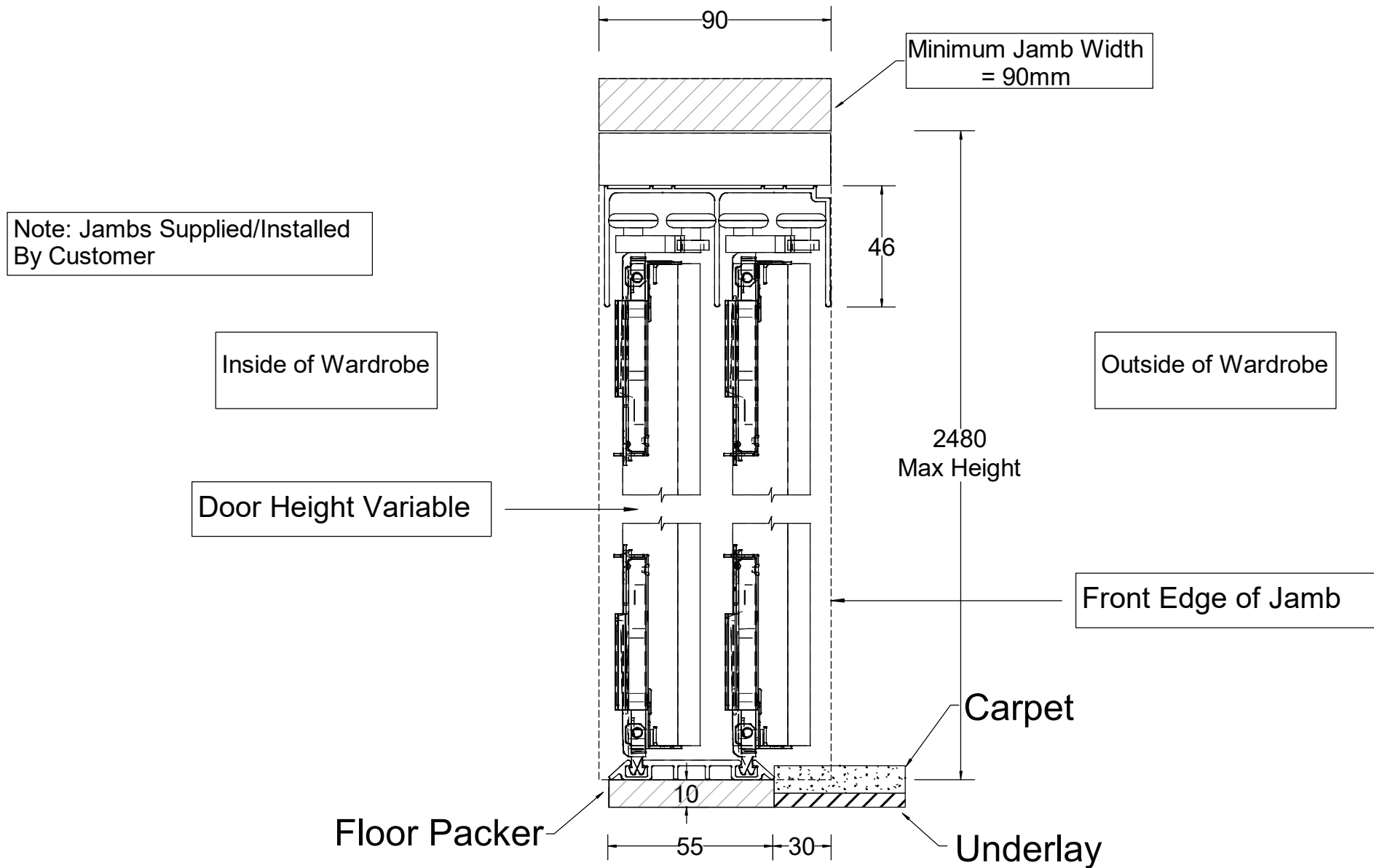


DECOR TWIN TRACK SYSTEM

(Note: Floor packer under bottom track is not necessary if there is no carpet)



DECOR TRIPLE TRACK SYSTEM

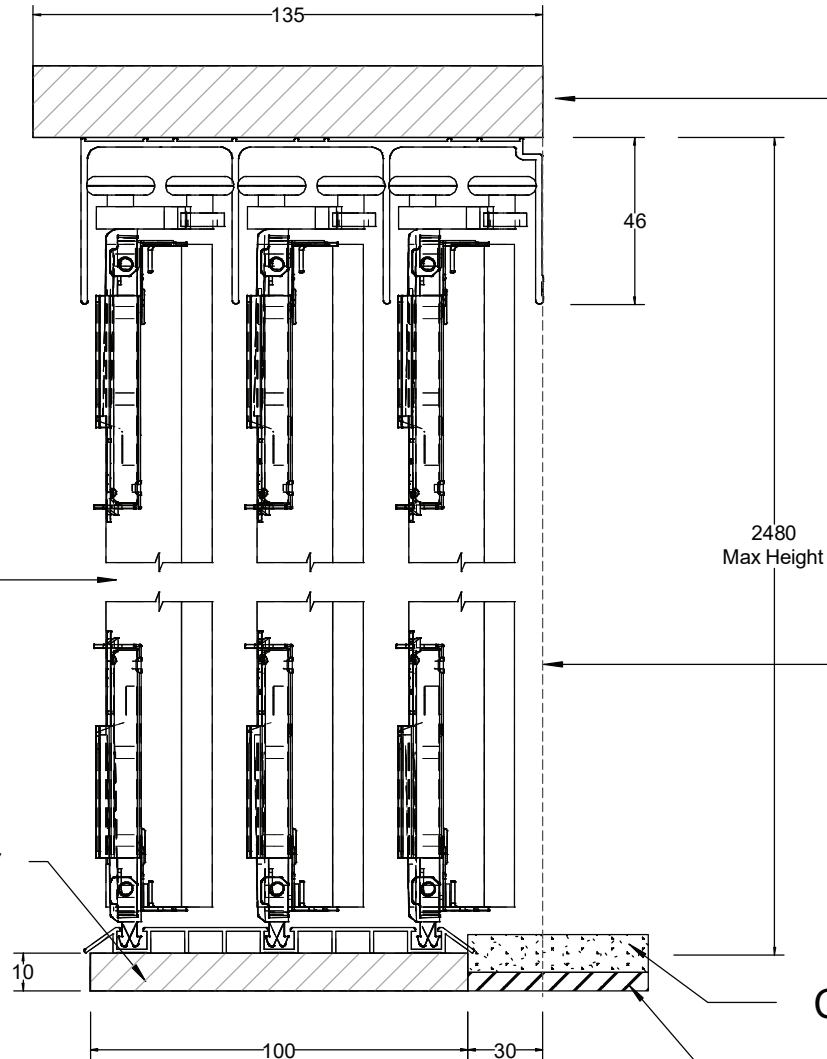
(Note: Floor packer under bottom track is not necessary if there is no carpet)

Note: Jamb Width Supplied/Installed
by Customer

Inside of Wardrobe

Door Height Variable

Floor Packer



Minimum Jamb Width
= 110mm

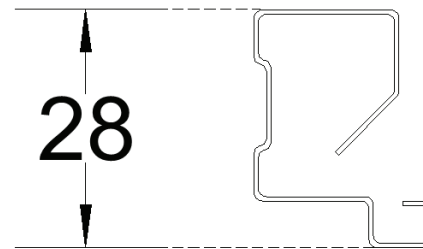
Outside of Wardrobe

2480
Max Height

Front Edge of Jamb

Carpet
Underlay

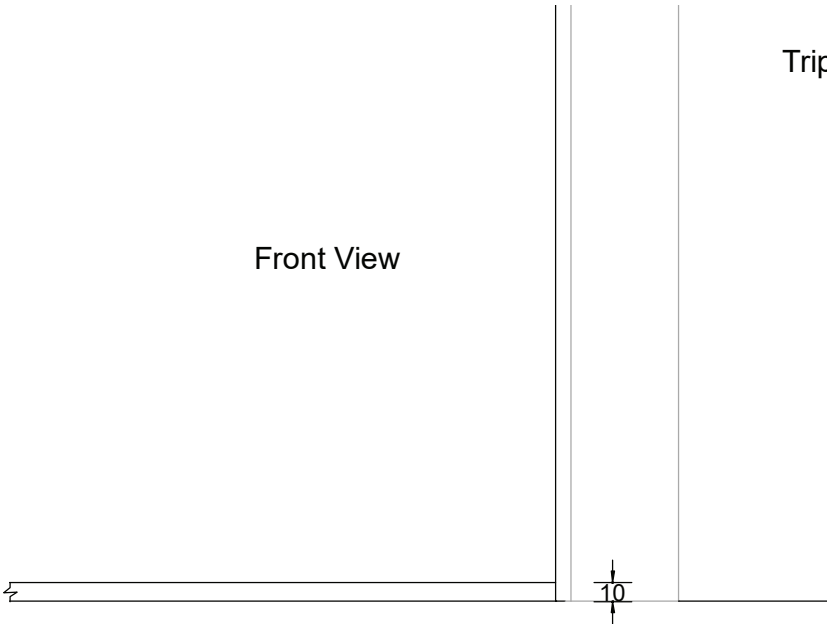
Decor Door Trim Stile



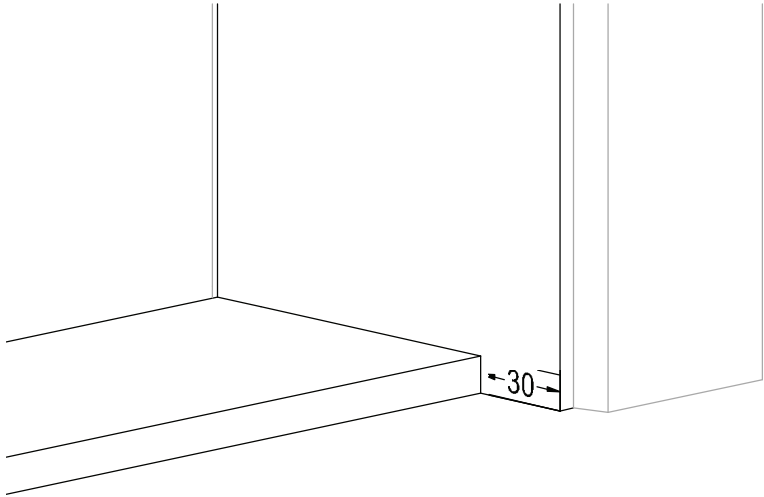
Decor Door Triple Track Floor Packer Detail

Triple Track Packer Dimensions-
100mm x 10mm

Front View

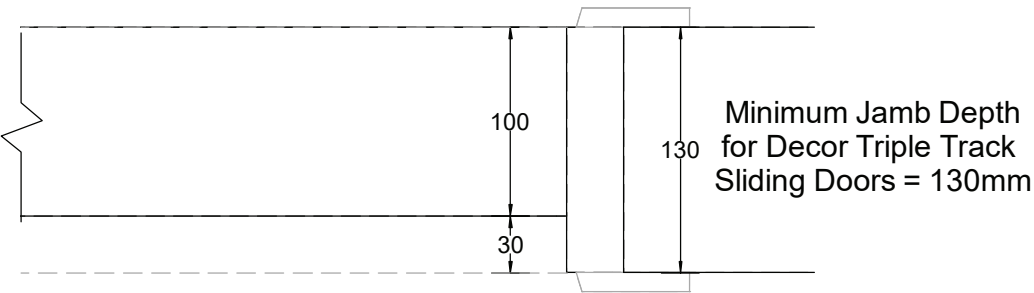


3D View



Packer to be fitted 30mm from
FRONT EDGE OF JAMB
(not architrave)

Plan View

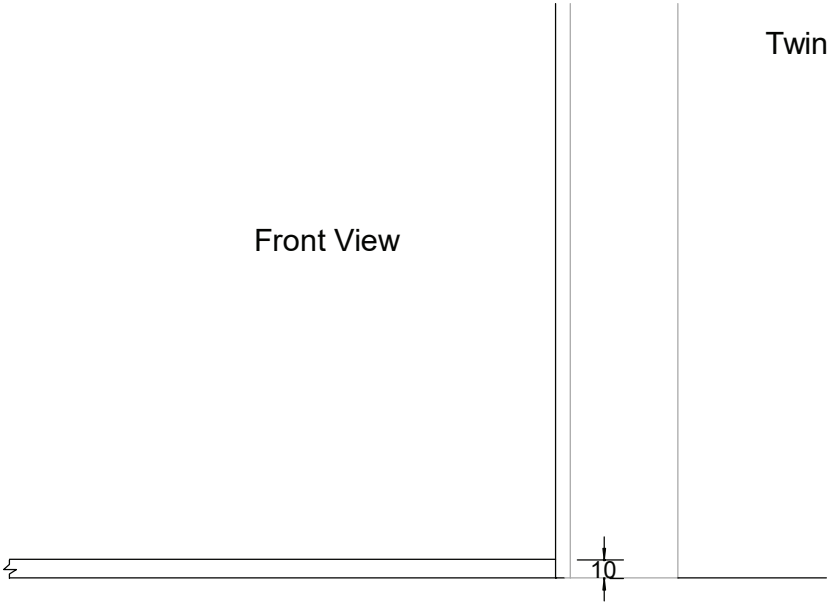


Minimum Jamb Depth
for Decor Triple Track
Sliding Doors = 130mm

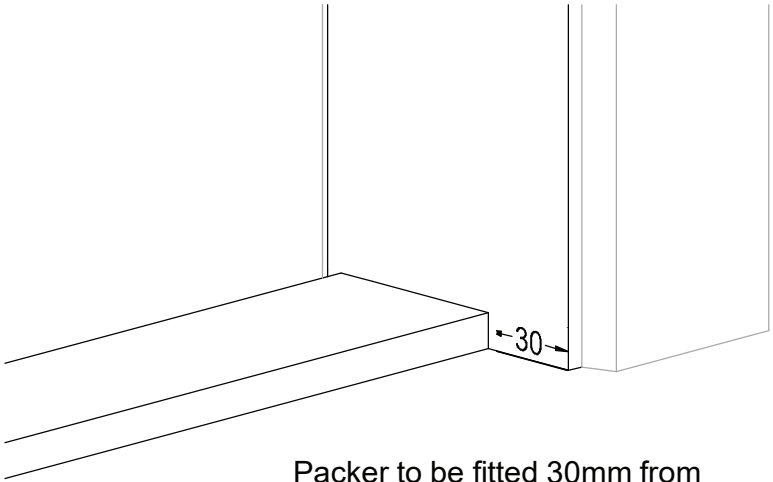
Decor Door Twin Track Floor Packer Detail

Twin Track Packer Dimensions-
55mm x 10mm

Front View

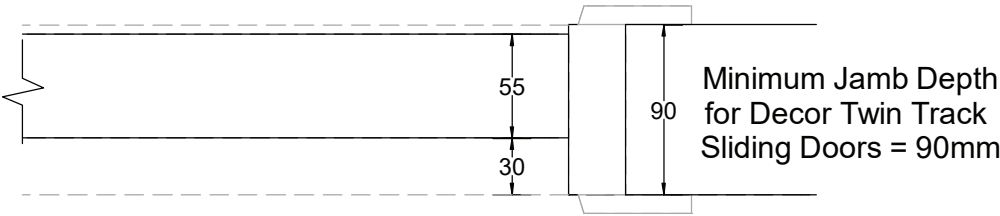


3D View



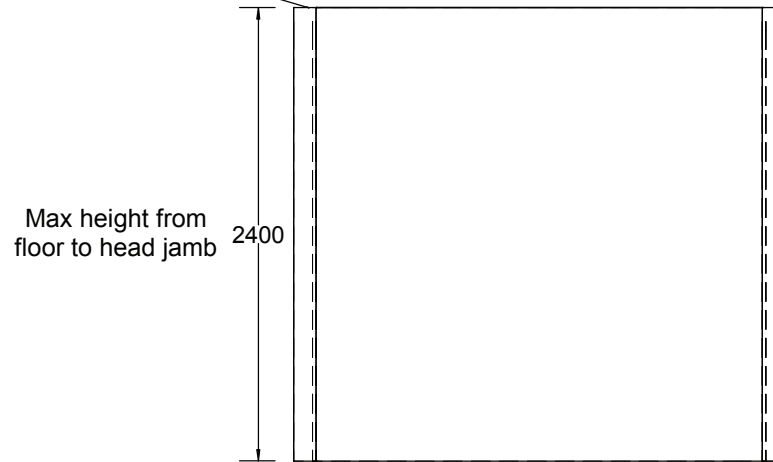
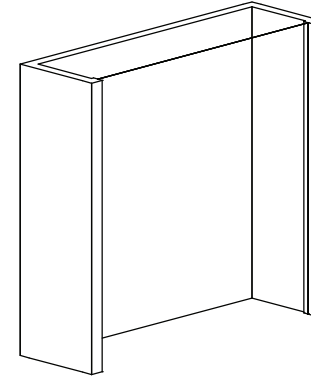
Packer to be fitted 30mm from
FRONT EDGE OF JAMB
(not architrave)

Plan View



Decor 2 sliding doors

*Head track can be concealed by dropping architrave or pelmet 60mm from head jamb



Max height from floor to head jamb

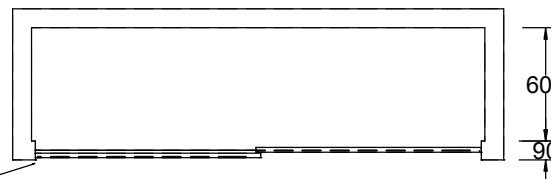
2400

*Both side jambs and a head jamb are required.

*Opening should be plumb, level and square.

*Variance in floor can be accounted for by Boston

Reduce return walls where possible to allow for greater access



600 Recommended Internal depth

90 Minimum jamb width

2360
Max width between jambs

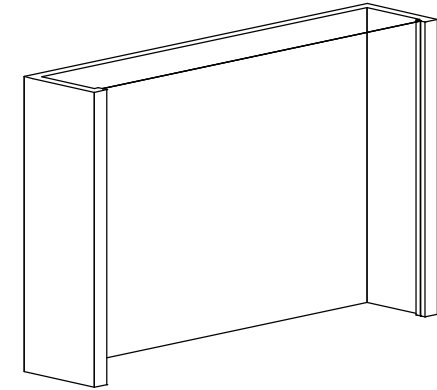
Decor

3 sliding doors on triple track

*Head track can be concealed by dropping architrave or pelmet 60mm from head jamb

Max height from floor to head jamb

2400

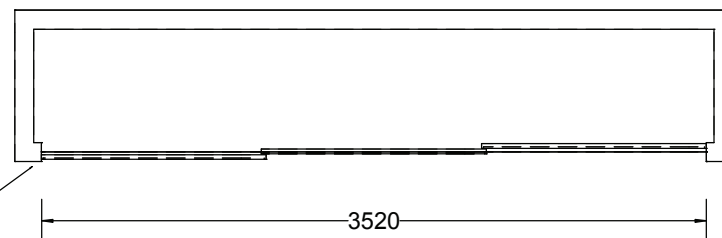


*Both side jambs and a head jamb are required.

*Opening should be plumb, level and square.

*Variance in floor can be accounted for by Boston

Reduce return walls where possible to allow for greater access



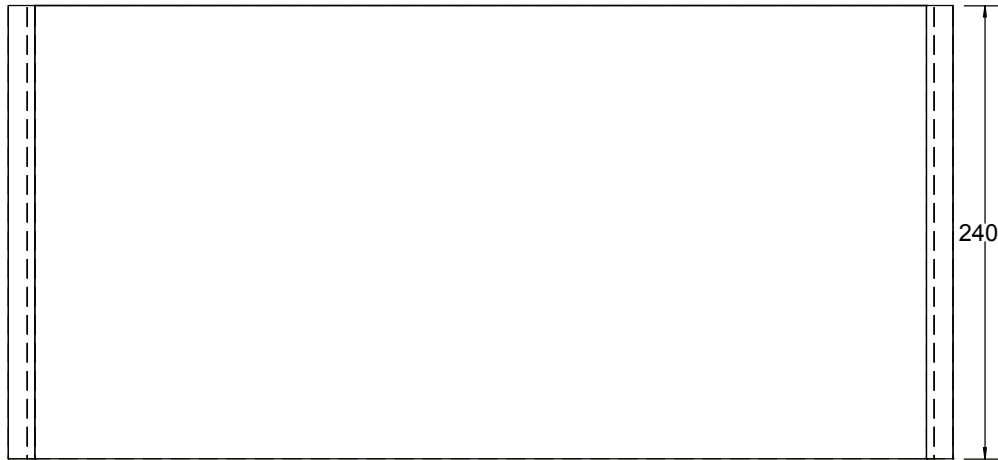
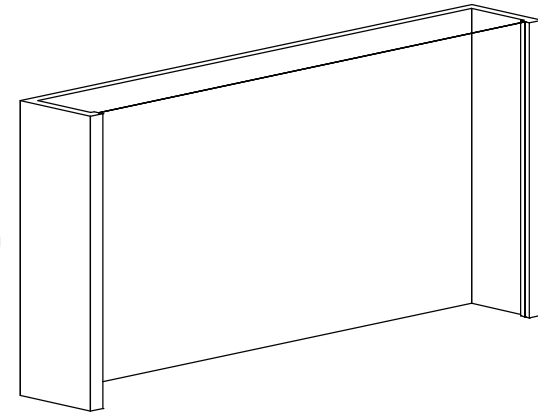
600 Recommended Internal depth

130 Jamb width

3520 Max width between jambs

4 sliding doors on twin track

*Head track can be concealed by dropping architrave or pelmet 60mm from head jamb

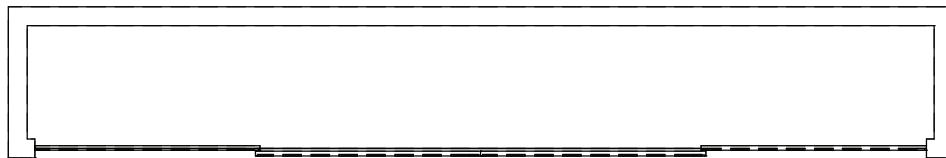


2400 Max height from floor to head jamb

*Both side jambs and a head jamb are required.

*Opening should be plumb, level and square.

*Variance in floor can be accounted for by Boston



600 Recommended Internal depth

90 Minimum jamb width

Reduce return walls where possible to allow for greater access

4720 Max width between jambs