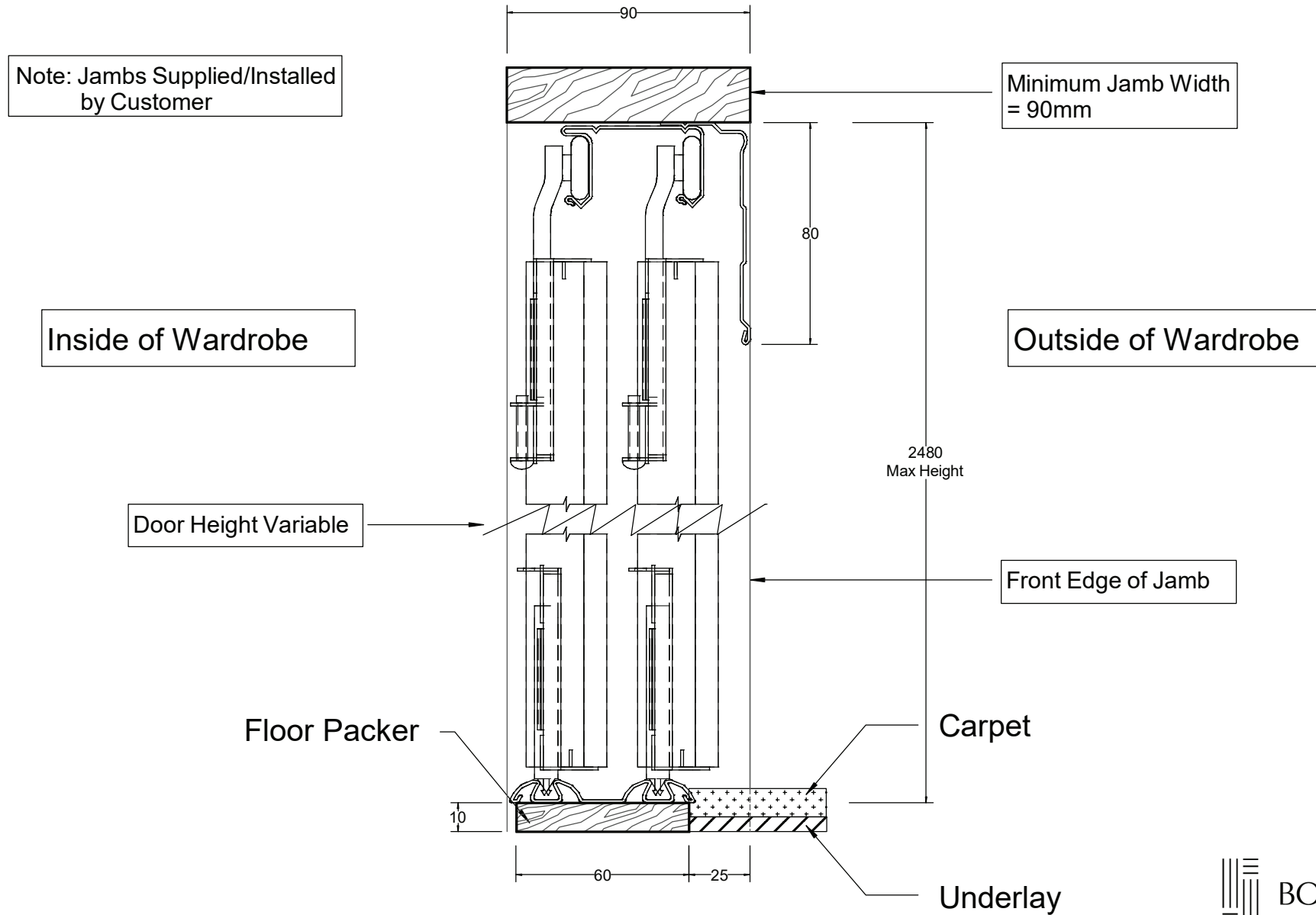


FINELINE TWIN TRACK SYSTEM

(Note: Floor packer under bottom track is not necessary if there is no carpet)



FINELINE TRIPLE TRACK SYSTEM

(Note: Floor packer under bottom track is not necessary if there is no carpet)

Note: Jamb Width Supplied/Installed by Customer

Minimum Jamb Width = 110mm

Inside of Wardrobe

Outside of Wardrobe

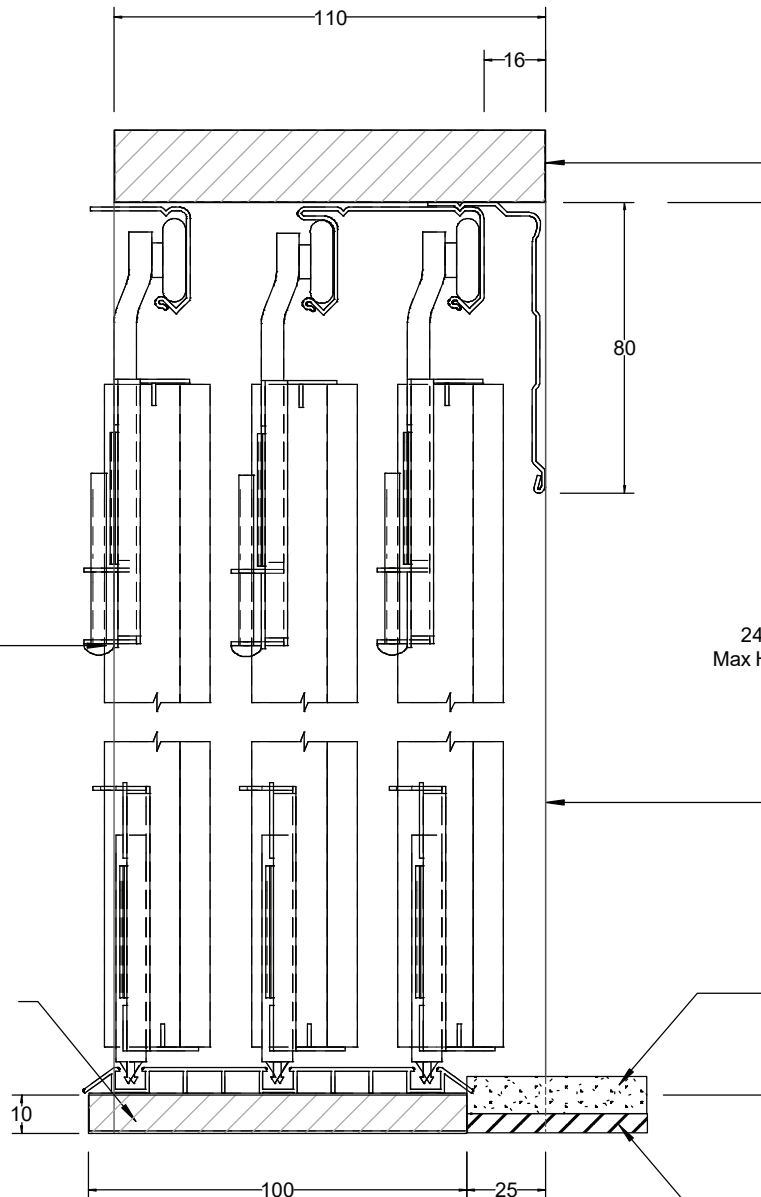
Door Height Variable

2480
Max Height

Front Edge of Jamb

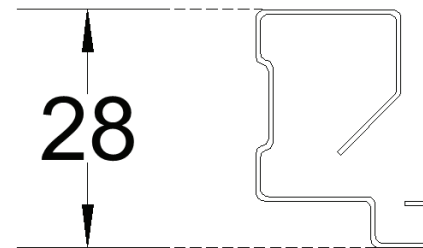
Floor Packer

Carpet



Underlay

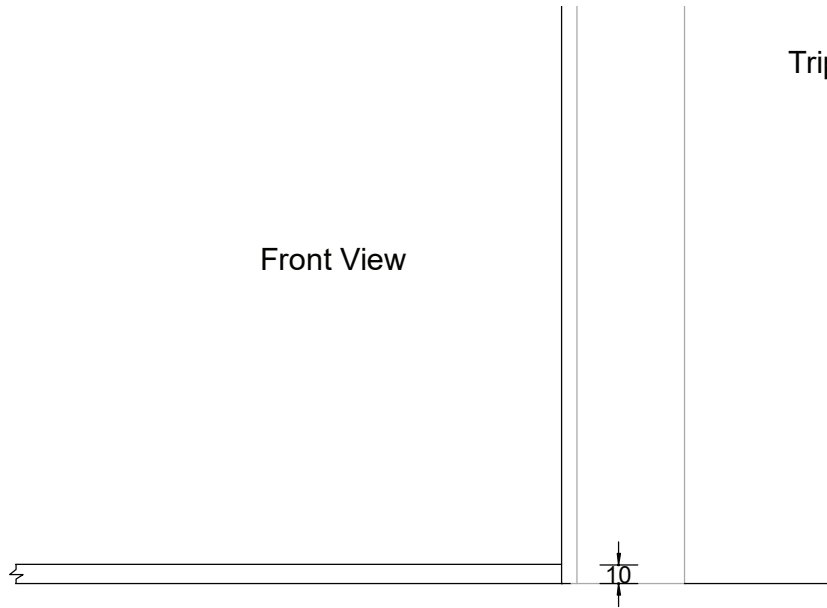
Fineline Door Trim Stile



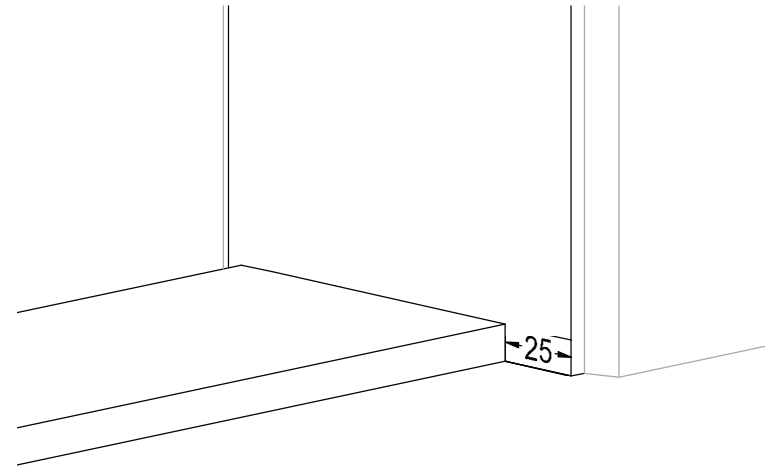
Fineline Door Triple Track Floor Packer Detail

Triple Track Packer Dimensions-
100mm x 10mm

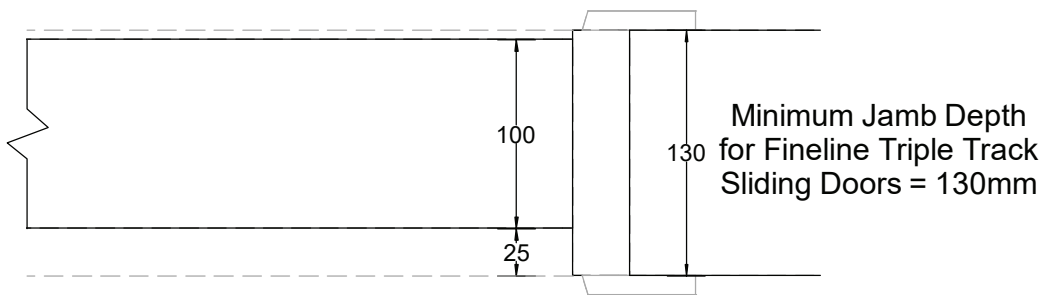
Front View



3D View



Plan View

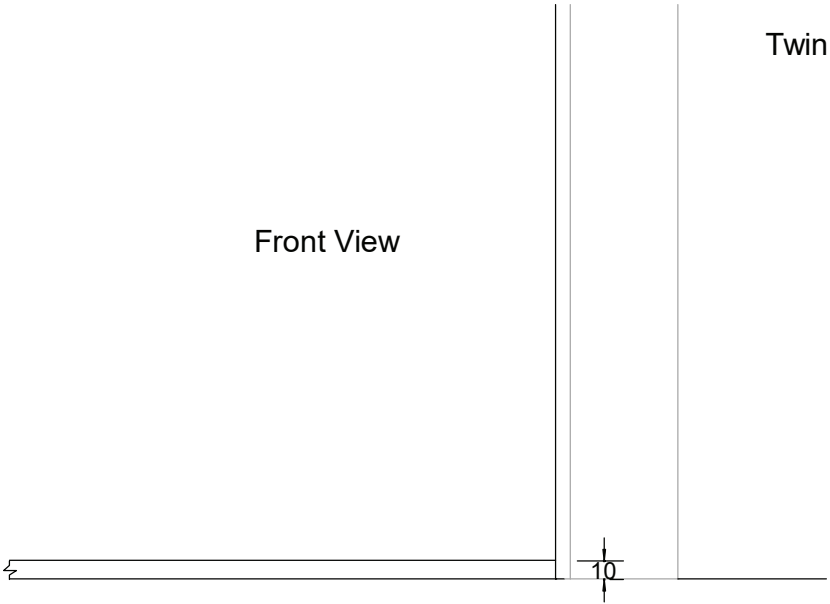


Packer to be fitted 25mm from
FRONT EDGE OF JAMB
(not architrave)

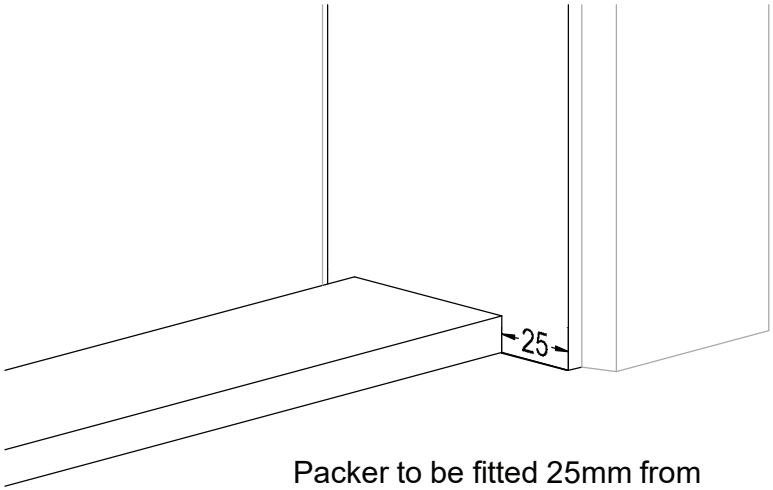
Fineline Door Twin Track Floor Packer Detail

Twin Track Packer Dimensions-
55mm x 10mm

Front View

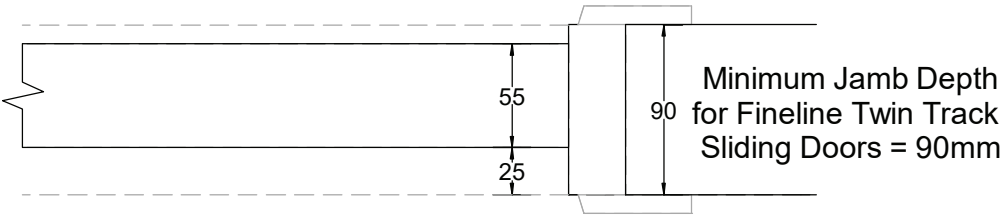


3D View

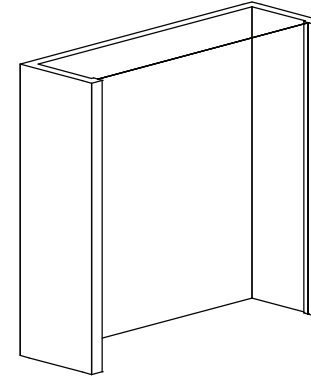


Packer to be fitted 25mm from
FRONT EDGE OF JAMB
(not architrave)

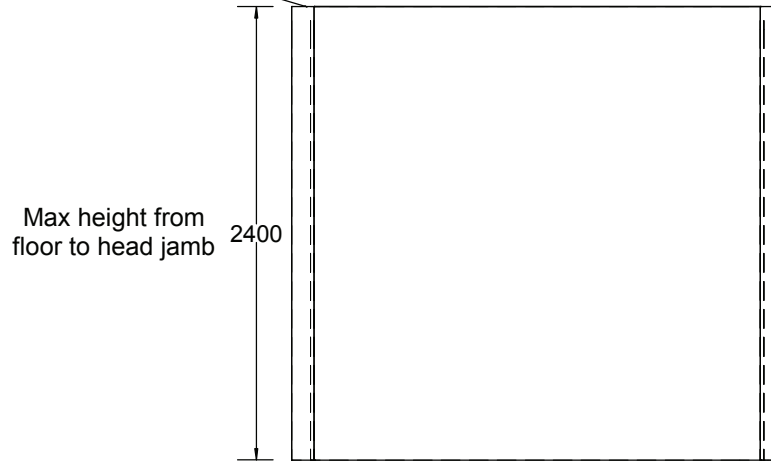
Plan View



Fineline 2 sliding doors



*Head track can be concealed by dropping architrave or pelmet 60mm from head jamb



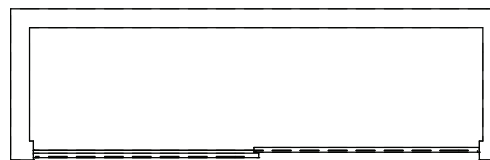
Max height from floor to head jamb

2400

*Both side jambs and a head jamb are required.

*Opening should be plumb, level and square.

*Variance in floor can be accounted for by Boston



600

Recommended Internal depth

90

Minimum jamb width

Reduce return walls where possible to allow for greater access

2360
Max width between jambs

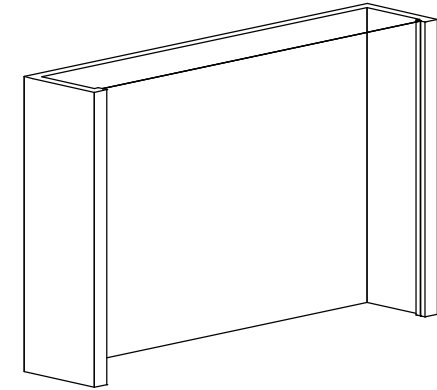
Fineline

3 sliding doors on triple track

*Head track can be concealed by dropping architrave or pelmet 60mm from head jamb

Max height from floor to head jamb

2400



*Both side jambs and a head jamb are required.

*Opening should be plumb, level and square.

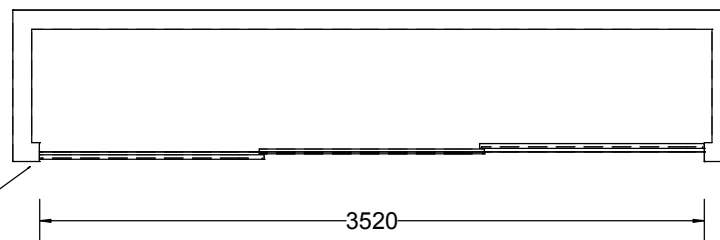
*Variance in floor can be accounted for by Boston

600 Recommended Internal depth

130 Jamb width

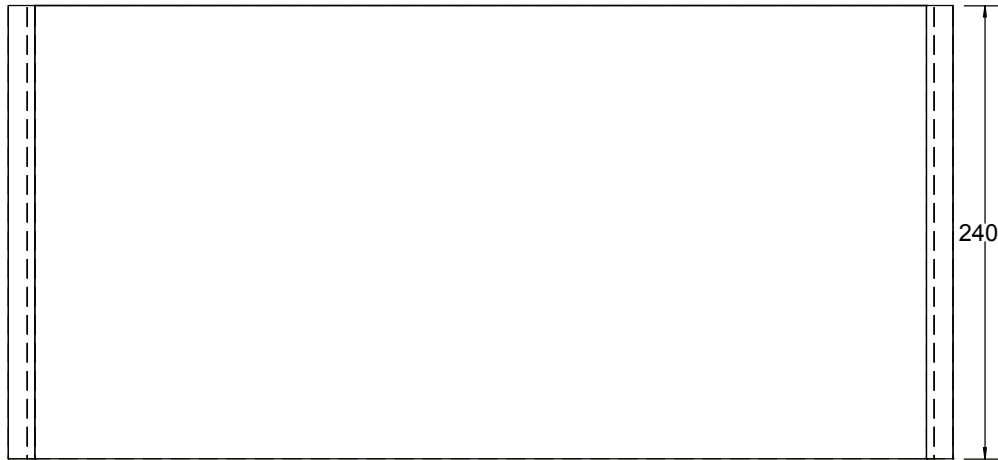
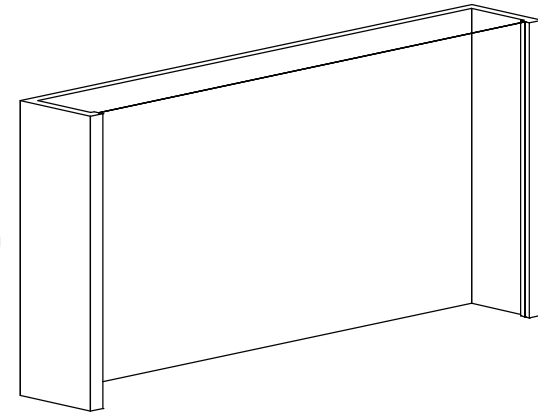
3520
Max width between jambs

Reduce return walls where possible to allow for greater access



4 sliding doors on twin track

*Head track can be concealed by dropping architrave or pelmet 60mm from head jamb

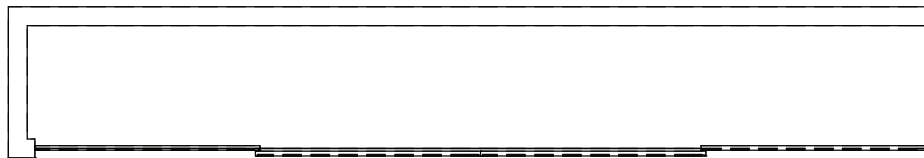


2400 Max height from floor to head jamb

*Both side jambs and a head jamb are required.

*Opening should be plumb, level and square.

*Variance in floor can be accounted for by Boston



600 Recommended Internal depth
90 Minimum jamb width

4720 Max width between jambs

Reduce return walls where possible to allow for greater access