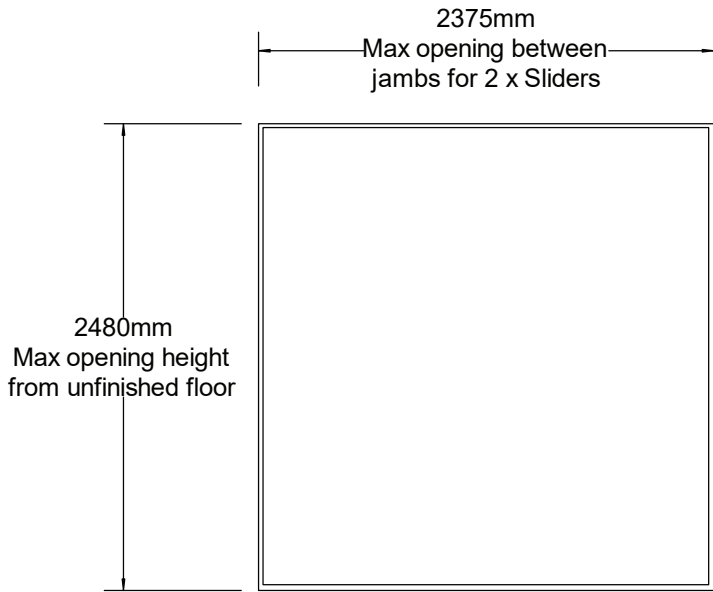
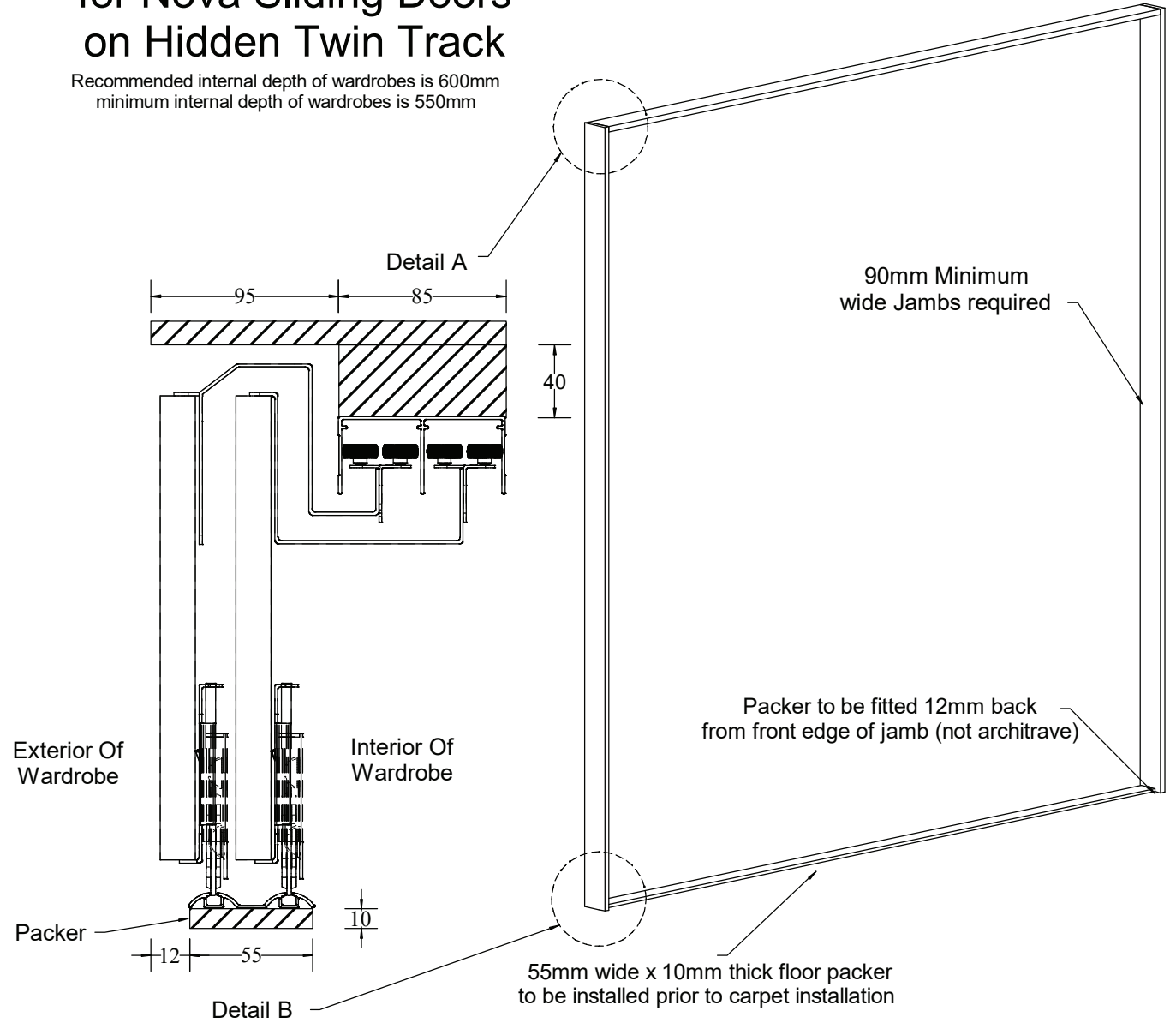


Jamb & Packer Detail for Nova Sliding Doors on Hidden Twin Track

Recommended internal depth of wardrobes is 600mm
 minimum internal depth of wardrobes is 550mm

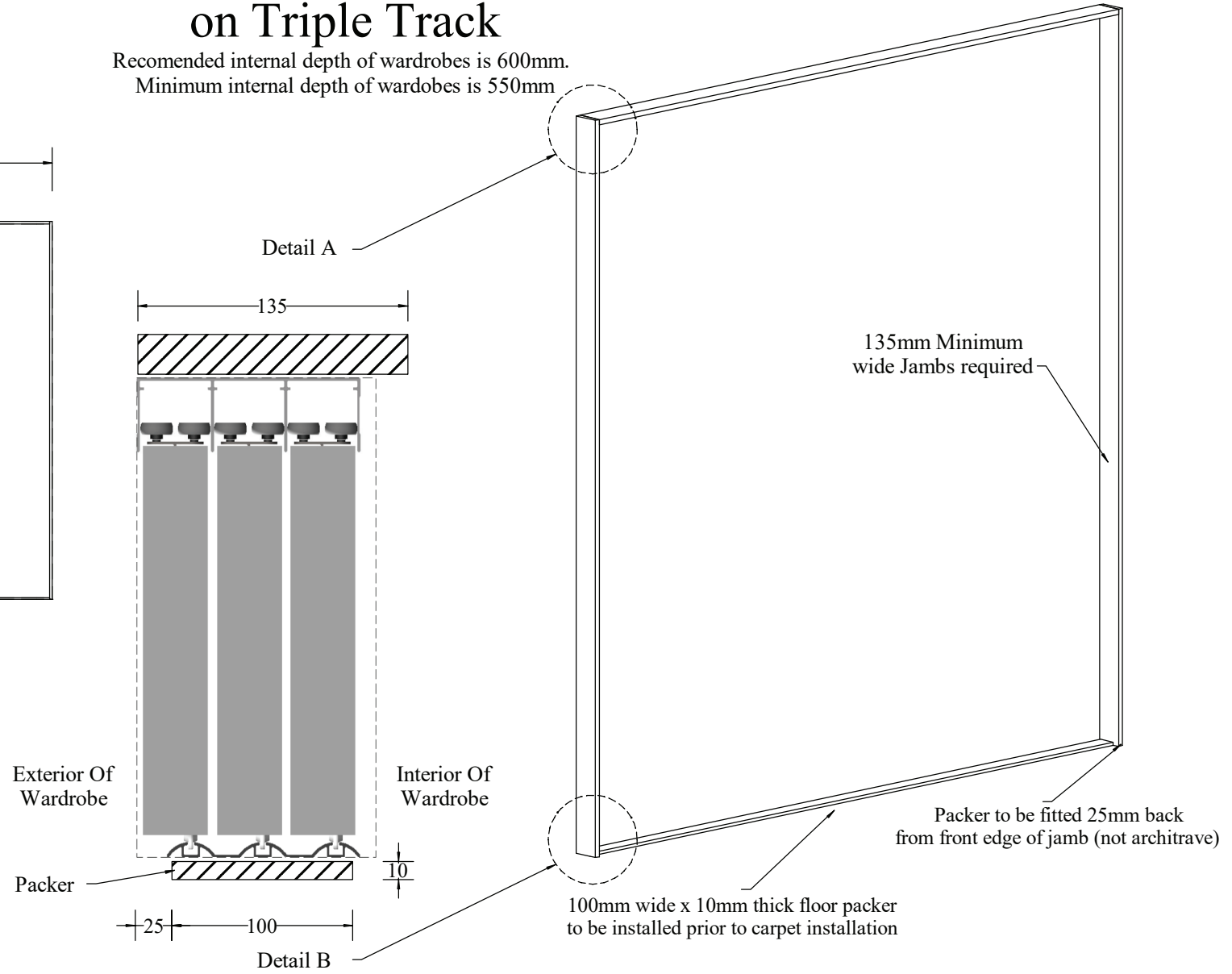
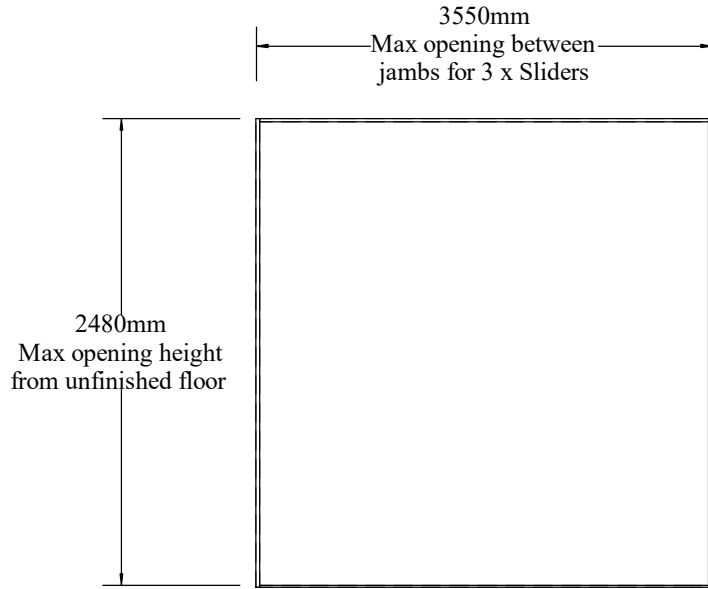


Openings to be square, straight and plumb.
 Floor packers to be straight and level



Jamb & Packer Detail for Nova Sliding Doors on Triple Track

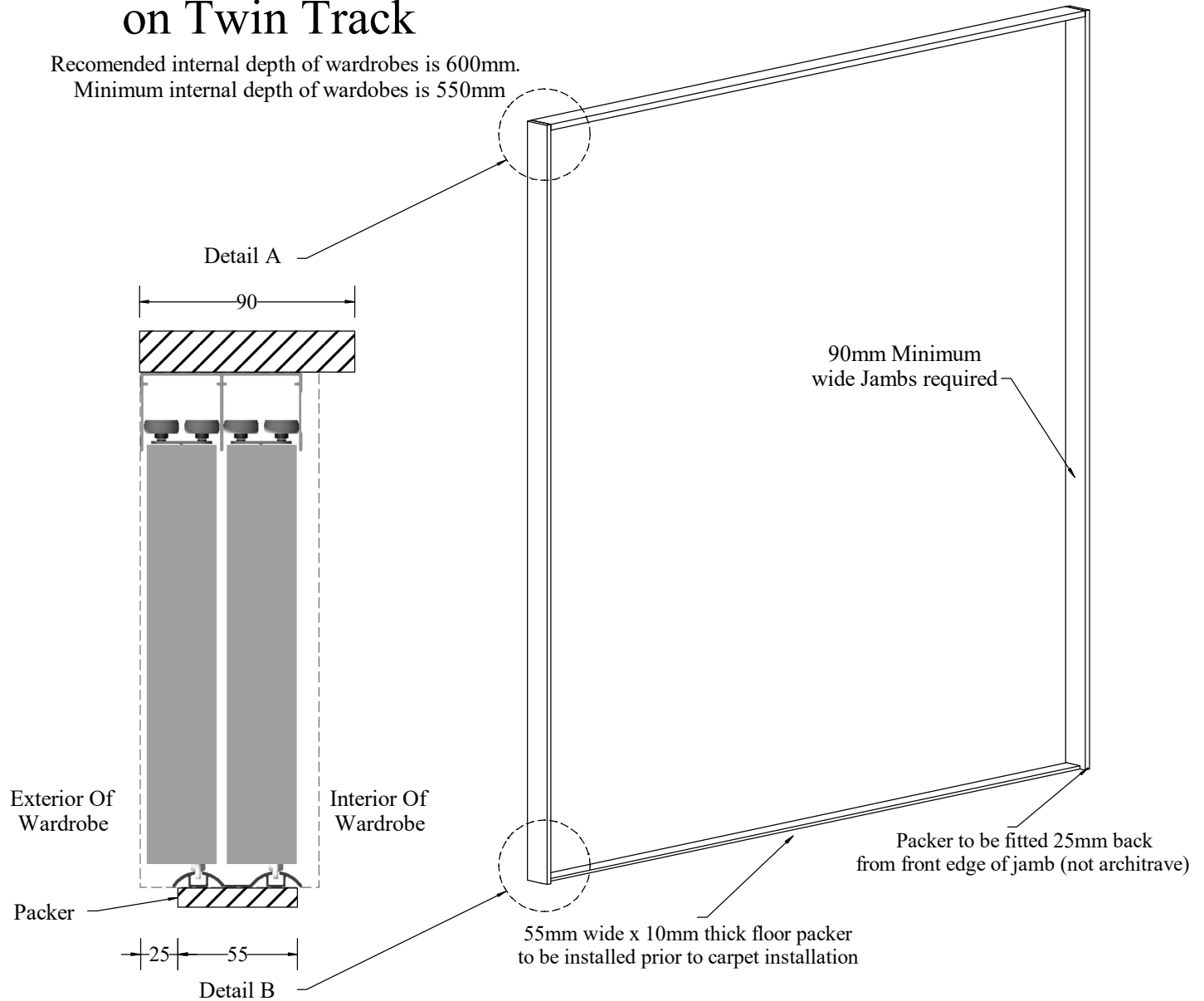
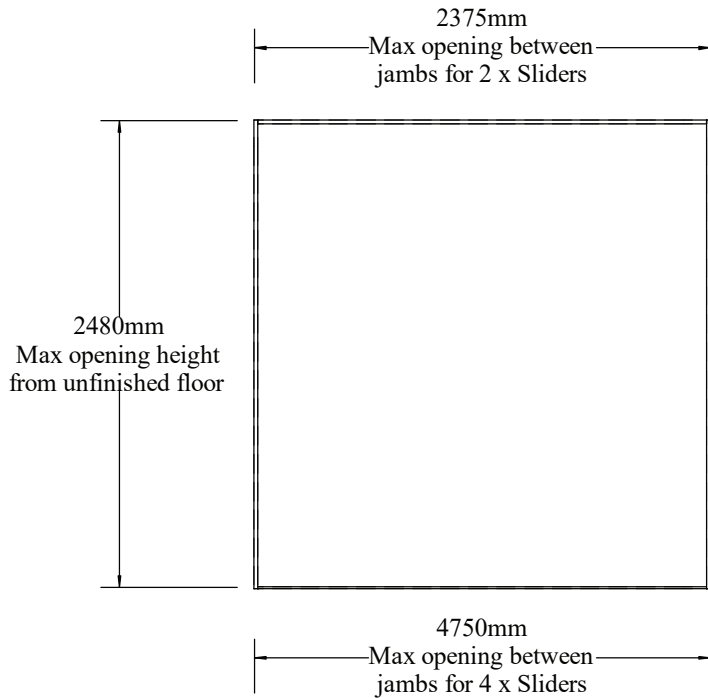
Recommended internal depth of wardrobes is 600mm.
Minimum internal depth of wardrobes is 550mm



Openings to be square, straight and plumb.
Floor packers to be straight and level

Jamb & Packer Detail for Nova Sliding Doors on Twin Track

Recommended internal depth of wardrobes is 600mm.
Minimum internal depth of wardrobes is 550mm

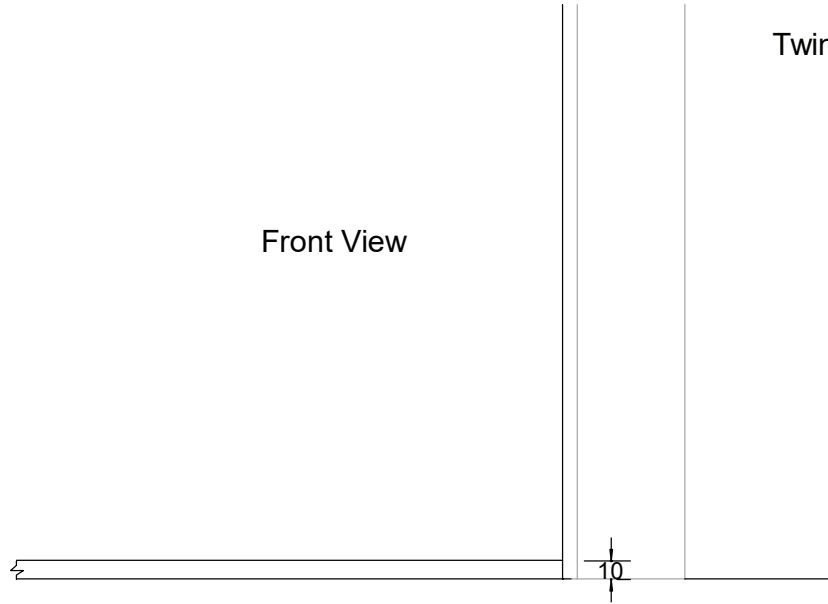


Openings to be square, straight
and plumb.
Floor packers to be straight and level

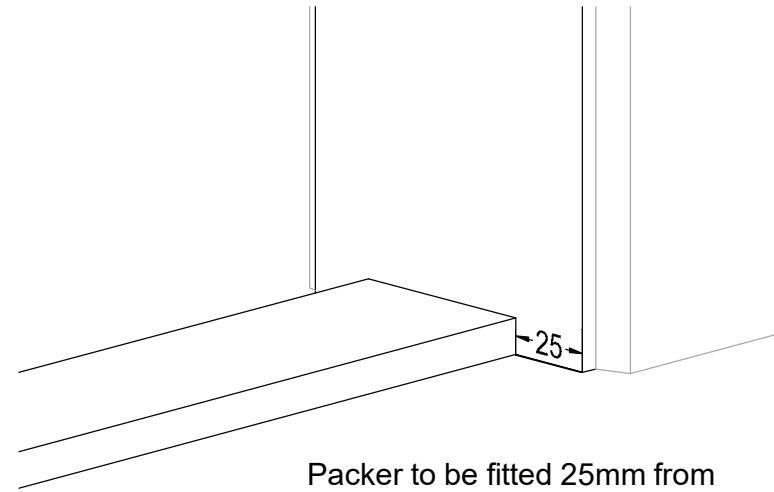
Nova Hidden Track Door Twin Track Floor Packer Detail

Twin Track Packer Dimensions-
55mm x 10mm

Front View

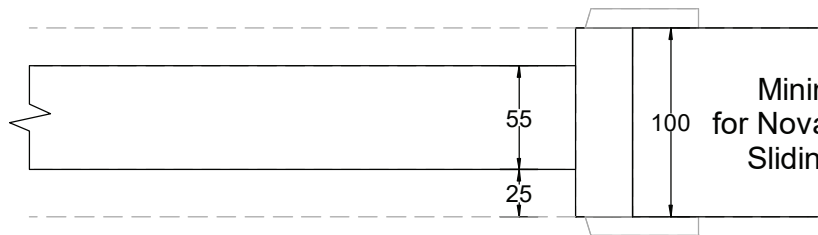


3D View



Packer to be fitted 25mm from
FRONT EDGE OF JAMB
(not architrave)

Plan View

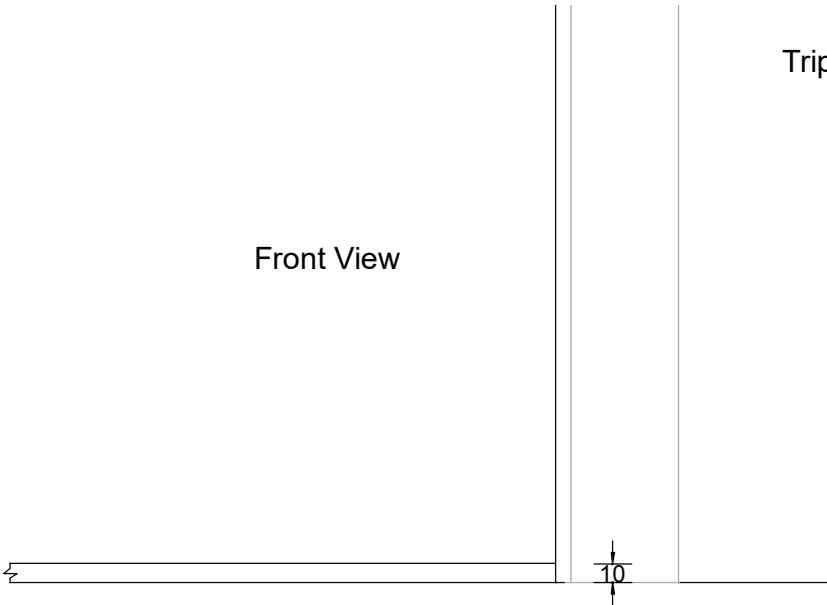


Minimum Jamb Depth
for Nova Hidden Twin Track
Sliding Doors = 100mm

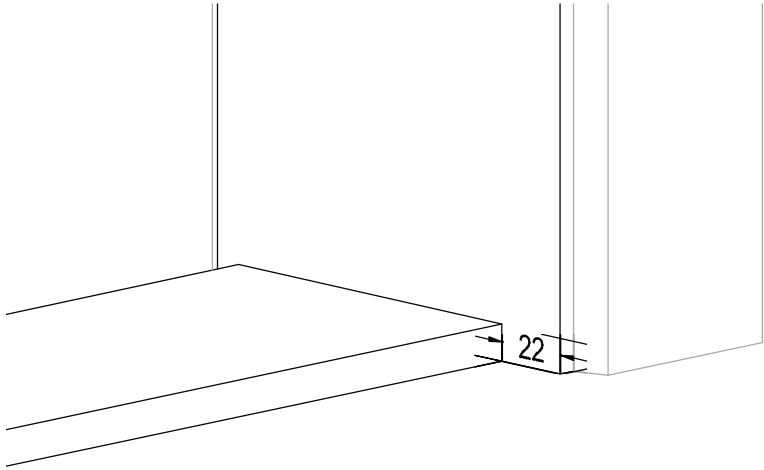
Nova Door Triple Track Floor Packer Detail

Triple Track Packer Dimensions-
100mm x 10mm

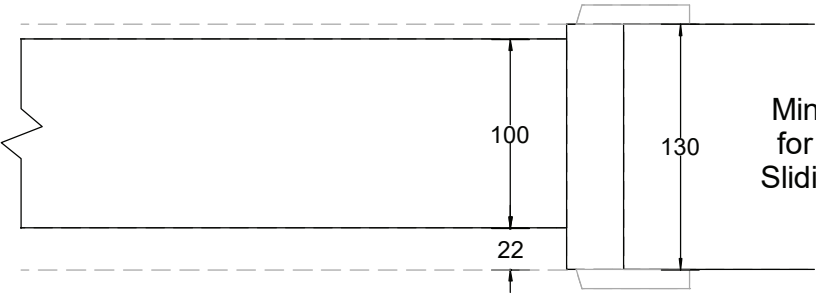
Front View



3D View



Plan View



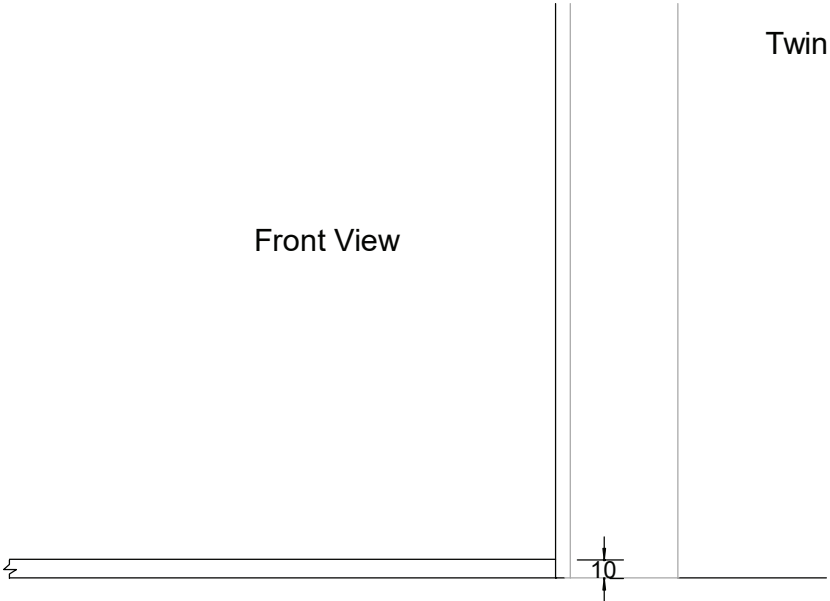
Minimum Jamb Depth
for Nova Triple Track
Sliding Doors = 130mm

Packer to be fitted 22mm from
FRONT EDGE OF JAMB
(not architrave)

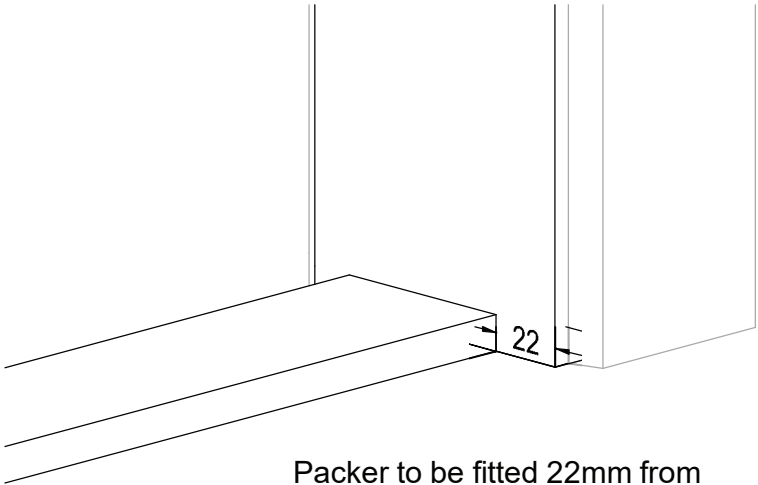
Nova Door Twin Track Floor Packer Detail

Twin Track Packer Dimensions-
55mm x 10mm

Front View

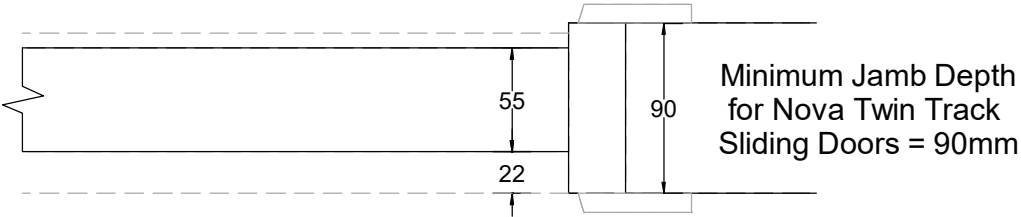


3D View

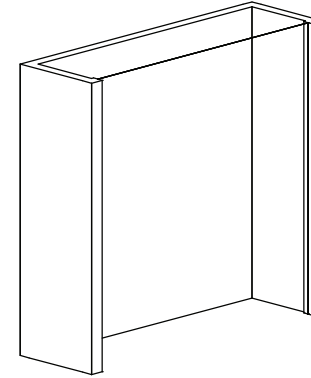


Packer to be fitted 22mm from
FRONT EDGE OF JAMB
(not architrave)

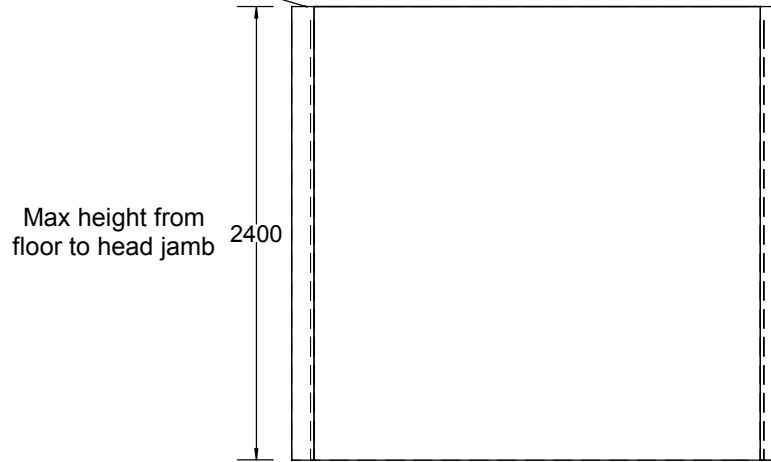
Plan View



Nova 2 sliding doors



*Head track can be concealed by dropping architrave or pelmet 60mm from head jamb

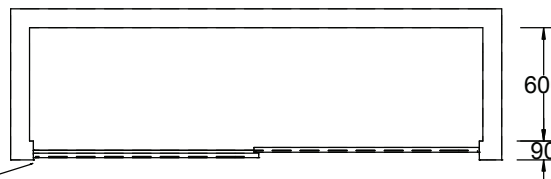


*Both side jambs and a head jamb are required.

*Opening should be plumb, level and square.

*Variance in floor can be accounted for by Boston

Reduce return walls where possible to allow for greater access



600 Recommended Internal depth

90 Minimum jamb width

2360
Max width between jambs

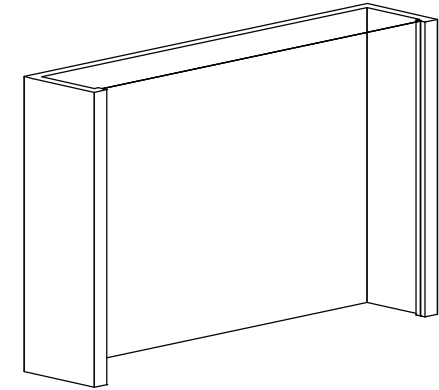
Nova

3 sliding doors on triple track

*Head track can be concealed by dropping architrave or pelmet 60mm from head jamb

Max height from floor to head jamb

2400



*Both side jambs and a head jamb are required.

*Opening should be plumb, level and square.

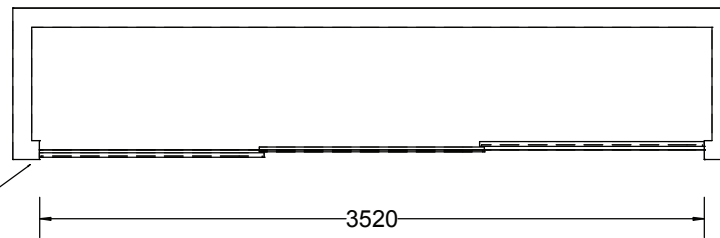
*Variance in floor can be accounted for by Boston

600 Recommended Internal depth

130 Jamb width

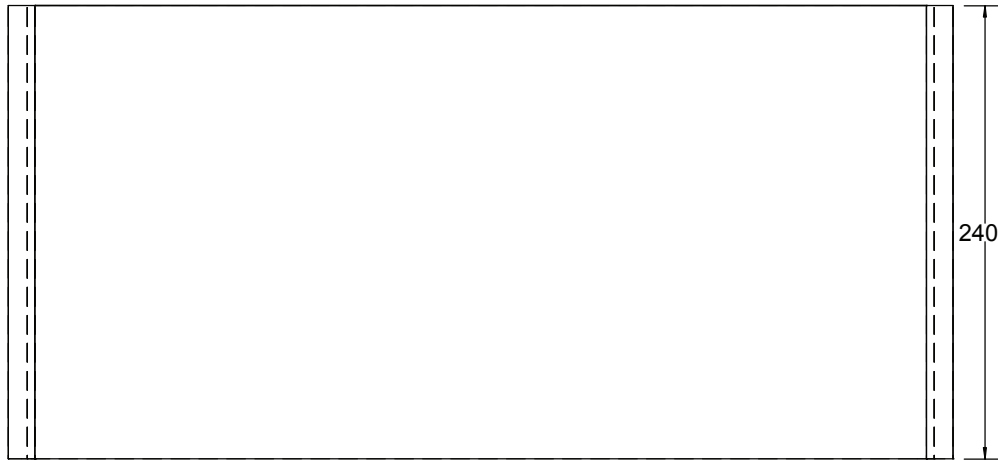
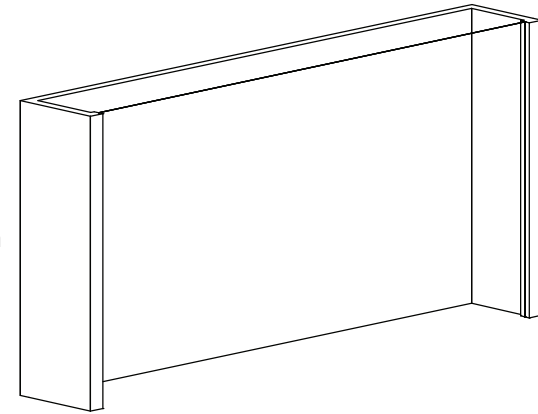
3520
Max width between jambs

Reduce return walls where possible to allow for greater access



4 sliding doors on twin track

*Head track can be concealed by dropping architrave or pelmet 60mm from head jamb

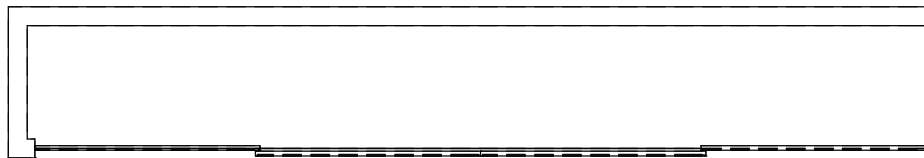


2400 Max height from floor to head jamb

*Both side jambs and a head jamb are required.

*Opening should be plumb, level and square.

*Variance in floor can be accounted for by Boston



600 Recommended Internal depth

90 Minimum jamb width

Reduce return walls where possible to allow for greater access

4720 Max width between jambs