



Chilicon Power

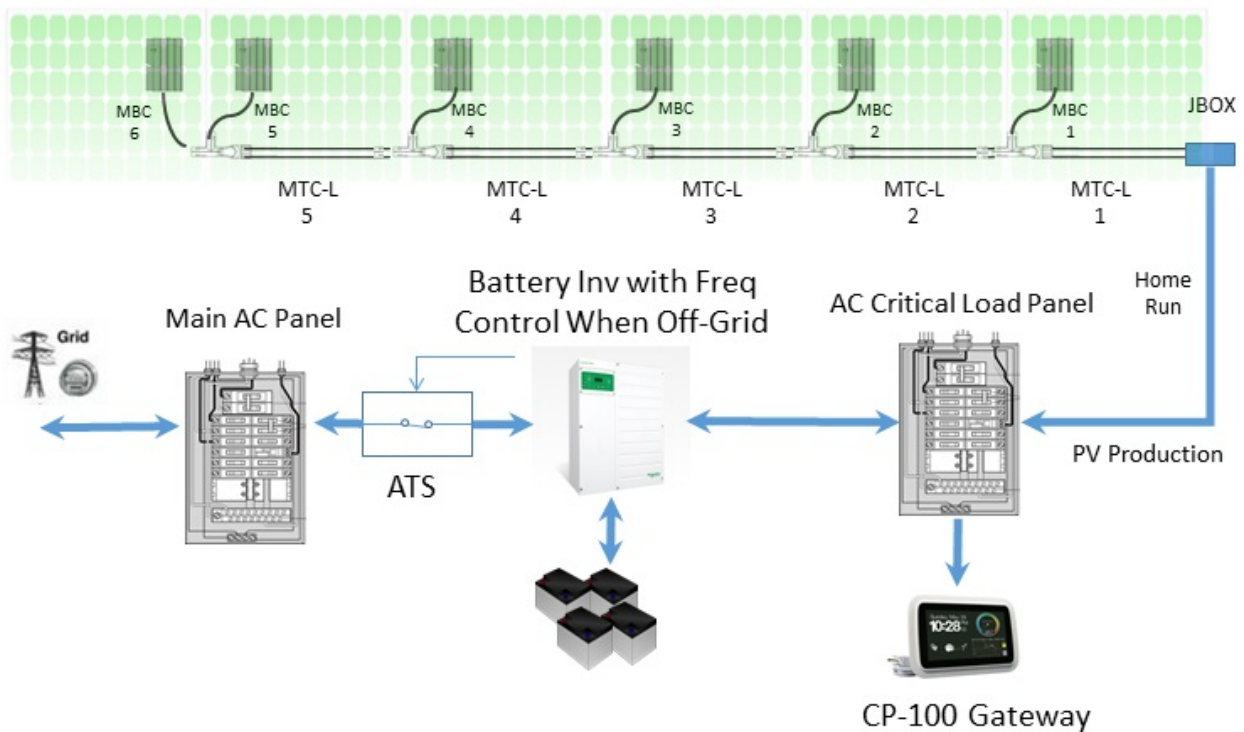


Revolutionizing The Solar Industry

ON GRID, OFF GRID, NO PROBLEM! AC COUPLING, PERFECTED

The manufacturer of the world's most technologically advanced microinverter just raised the bar on what's possible for AC coupled systems. Whether it's on grid or off, the CP-250E pairs seamlessly (and flawlessly) with any battery or generator to maximize productivity. By using the AC coupling feature on the Gateway- Chilicon's groundbreaking monitoring device- you can easily program the microinverters to regulate production, assuring optimal performance. For batteries, this is accomplished by controlling the frequency-watt mode of the grid. The battery and inverter work together, increasing and decreasing frequency to ensure the appropriate power output.

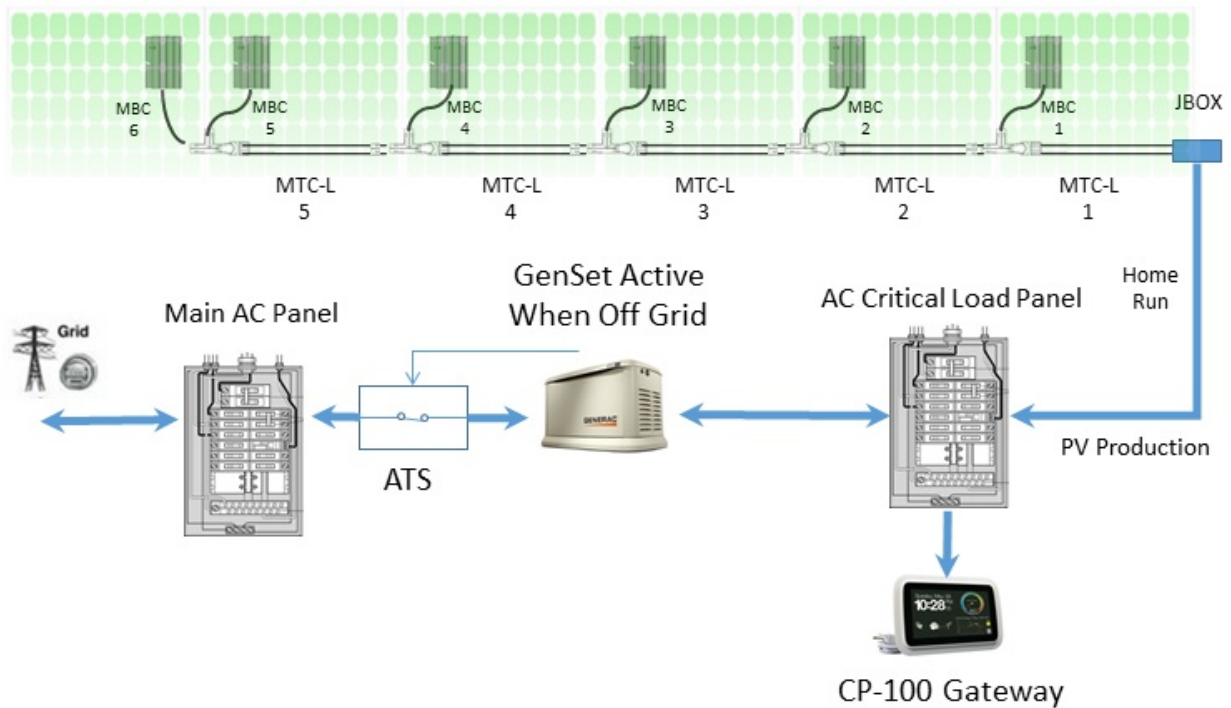
AC Coupling Through Freq-Watt Control



[Click here for the white paper](#)

In pairing with a generator, each CP-250E constantly monitors the line voltage and regulates power should the voltage cross certain thresholds. This approach prevents an over-voltage condition from developing on an islanded generator controlled system. It also allows for the microinverters to co-generate (decreasing fuel consumption) without need for a transfer switch between the generator and the array.

AC Coupling Through Volt-Watt Control



[Click here for the white paper](#)

STAY TUNED FOR A BLOCKBUSTER
ANNOUNCEMENT IN JANUARY...

MEANWHILE, WHY NOT TRY US OUT
TODAY ON A PILOT PROGRAM?

CALL FOR PRICING 310-310-8893

