



Chilicon Power



Revolutionizing The Solar Industry

THE WORLD'S MOST ADVANCED SOLAR SYSTEM THREE AWESOME FEATURES

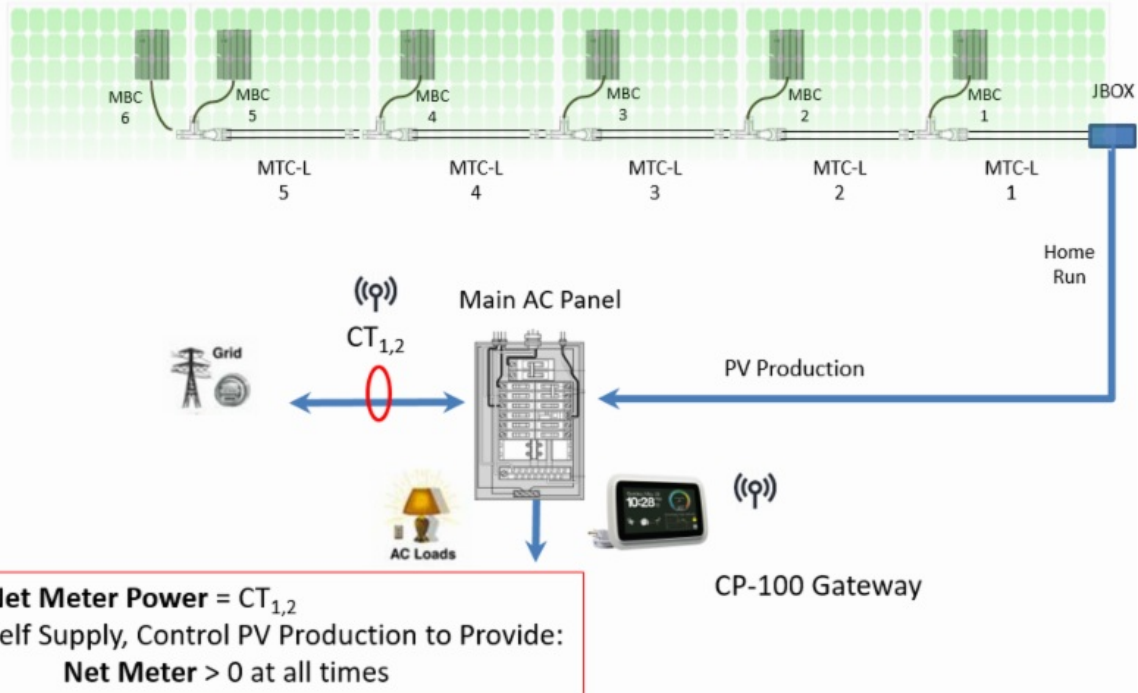
Leading the way in renewable energy technology since 2009, Chilicon Power's world class microinverter system boasts (numerous) groundbreaking features that raise the bar on solar excellence. Three of these cutting-edge innovations include **ZERO NET EXPORT**, **AC COUPLING**, and **MICRO GRID FORMATION**.



ZERO NET EXPORT WHY WAIT TO ENJOY YOUR SOLAR SYSTEM?

By pairing a home energy meter with Chilicon's Gateway monitoring system, you can (easily) curtail your solar production so it does not exceed the local load. This unique feature is particularly useful in jurisdictions where utility companies will not allow- or penalize- customers for exporting power backward past the utility meter. With Chilicon Power equipment, there's no waiting to enjoy the benefits of your new solar system.

Consumption Monitoring for Self-Supply

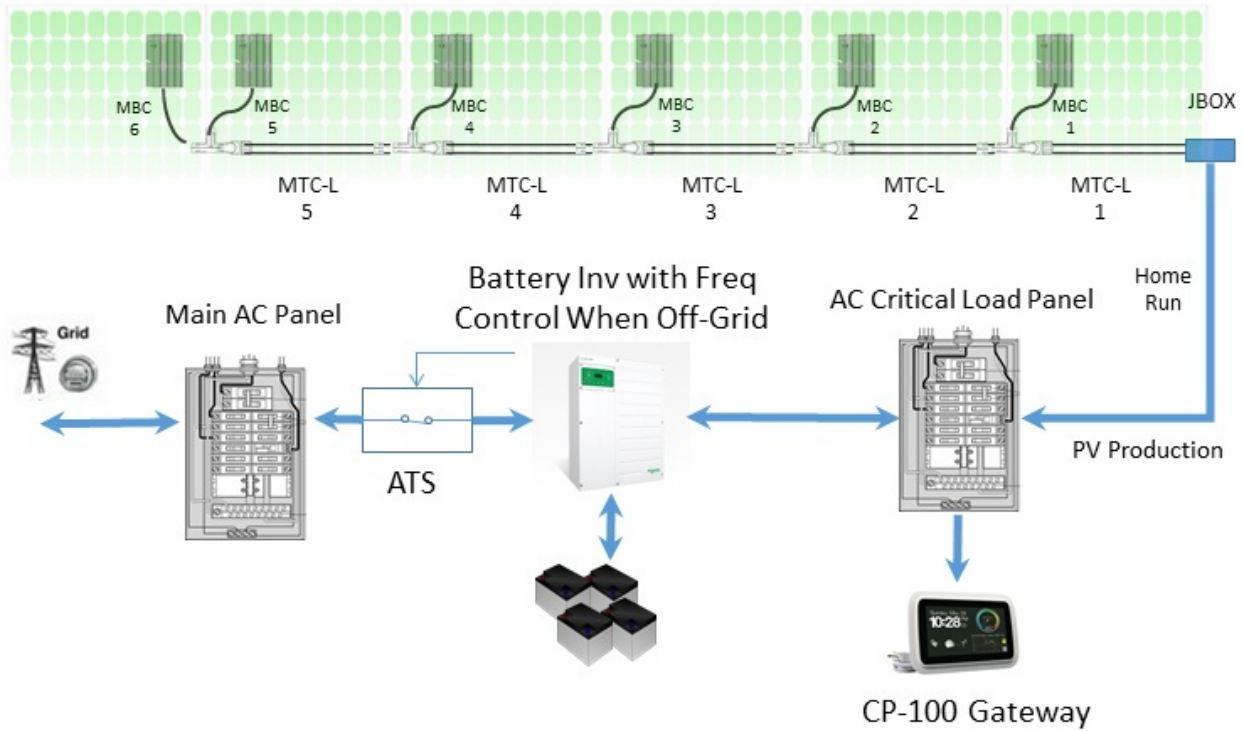


[Click here for the white paper](#)

ON GRID, OFF GRID, NO PROBLEM! AC COUPLING, PERFECTED

Whether it's on grid or off, the CP-250E pairs seamlessly (and flawlessly) with any battery or generator to maximize productivity. By using the AC coupling feature on the Gateway- Chilicon's groundbreaking monitoring device- you can easily program the microinverters to regulate production, assuring optimal performance. For batteries, this is accomplished by controlling the frequency-watt mode of the grid. The battery and inverter work together, increasing and decreasing frequency to ensure the appropriate power output.

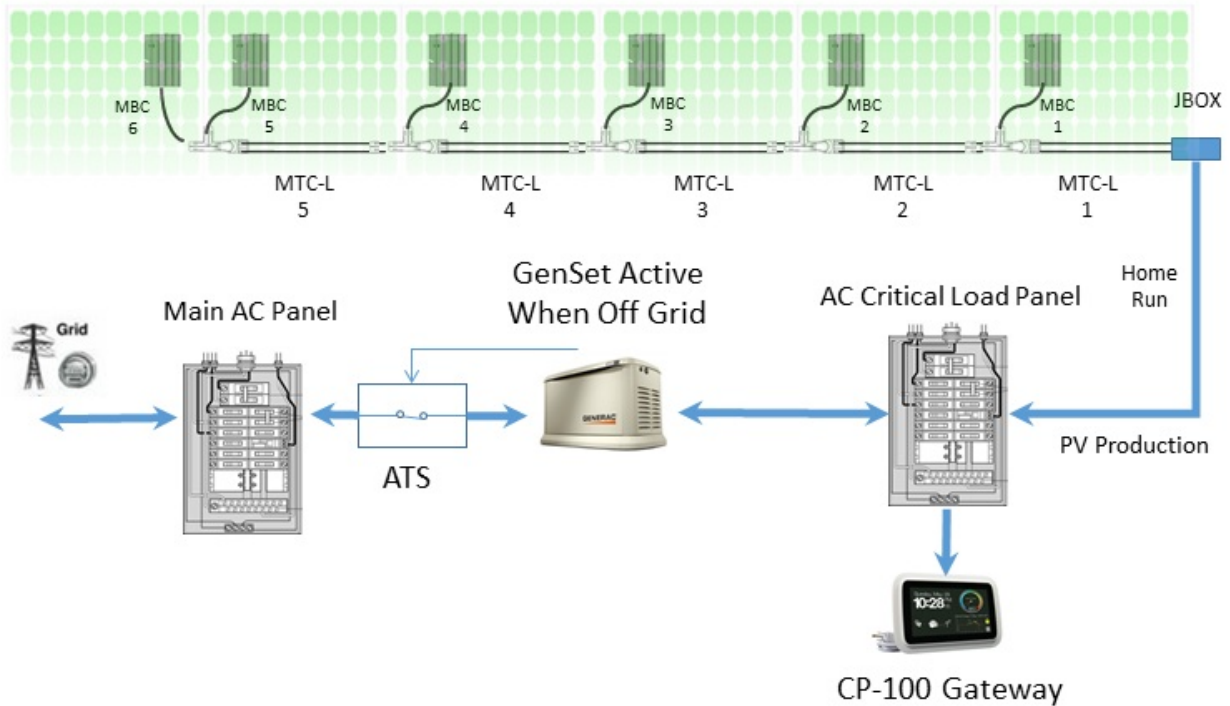
AC Coupling Through Freq-Watt Control



[Click here for the white paper](#)

In pairing with a generator, each CP-250E constantly monitors the line voltage and regulates power should the voltage cross certain thresholds. This approach prevents an over-voltage condition from developing on an islanded generator controlled system. It also allows for the microinverters to co-generate (decreasing fuel consumption) without need for a transfer switch between the generator and the array.

AC Coupling Through Volt-Watt Control



[Click here for the white paper](#)

THE FUTURE: MICRO GRID FORMATION

Built from the ground up by two accomplished engineers, Chilicon Power always has an eye towards the future. The company is currently developing a firmware upgrade that will allow the microinverters to automatically switch to 'off-grid' and form their own island without a battery. With this new application, you'll be able to power your entire home with solar even if the grid isn't operating. Making life easier through innovation- that's the Chilicon way.



COMING SOON: AN ANNOUNCEMENT OF
CHILICON'S NEW TWIN INVERTER, THE CP-
720

MEANWHILE, WHY NOT TRY US OUT
ON A PILOT PROGRAM?

CALL TODAY FOR PRICING 310-310-8893

