

## SM0058-016-P



### APPLICATIONS

- Wind Turbine Pitch Control
- UPS Systems
- Industrial Peak Load Shaving
- Small Engine Starting
- AGV



### FEATURES & ADVANTAGES

- One Million Cycle Life
- High Power Density
- Compact Size, Lightweight
- Wide Temperature Range: -40°C to +65°C



### Specifications

Capacitance	Rated <sup>1</sup>	58F
	Tolerance	-0/+20%
Voltage	Rated	16V DC
	Surge <sup>2</sup>	17V DC
ESR	ESR (DC) - maximum initial	22mΩ
Current	Maximum leakage <sup>3</sup>	25mA
	Maximum peak	200A
	Maximum continuous	19A RMS
Energy Storage	Maximum energy <sup>4</sup>	2.1Wh
	Usable energy <sup>5</sup>	1.5Wh
	Volumetric energy density <sup>6</sup>	2.4Wh/L
	Gravimetric energy density <sup>7</sup>	3.2Wh/kg
Power	Power density <sup>8</sup>	2148W/kg

### Temperature

Temperature Characteristics	Operating temperature range	-40°C to +65°C
	Storage temperature range	-40°C to +70°C

### Monitor and Control

Alarm Monitor	Over voltage	N/A
	Temperature sensor	N/A

### Safety

Safety	Short circuit current	640A
	500V DC Insulation resistance	≥100MΩ
	5600V DC Leakage current	≤10mA
	Environmental ingress protection	IP54

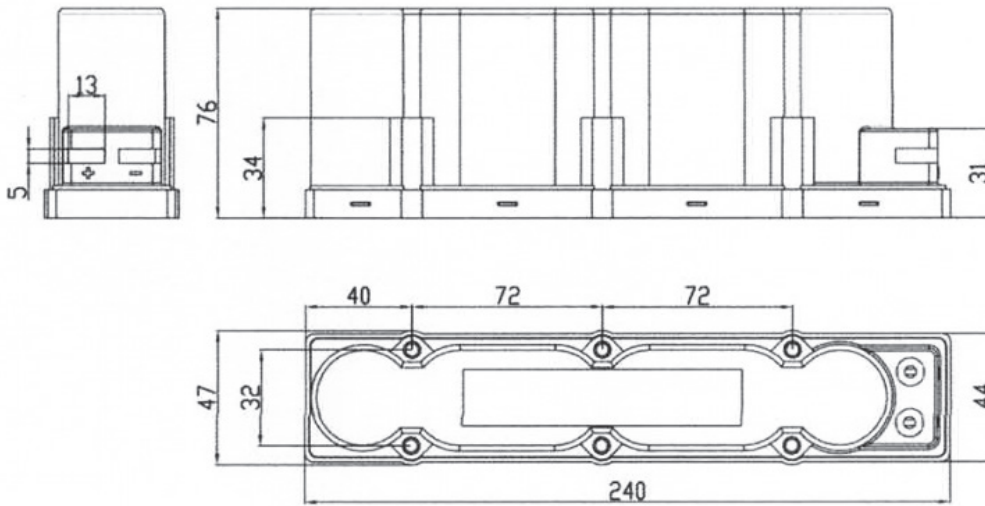
### Service Lifetime

Endurance	<b>Product held at rated voltage in 65°C environment for 1500 hours</b>	
	Change in capacitance (% drop from rated)	≤20%
	Change in ESR (% increase from maximum initial)	≤100%
DC Life	<b>Product held at rated voltage in 25°C environment</b>	
	Life (projected)	10+ years
	Change in capacitance (% drop from rated)	≤20%
	Change in ESR (% increase from maximum initial)	≤100%
Cycle Life	<b>Cycling from rated voltage to 50% voltage under constant current in 25°C environment</b>	
	Life (projected)	1,000,000 cycles
	Change in capacitance (% drop from rated)	≤20%
	Change in ESR (% increase from maximum initial)	≤100%
Storage	<b>Stored uncharged in original packaging in 25°C environment</b>	
	Life	4 years

### Physical Characteristics

Mechanical	Vibration	GB/T 11287-2000
	Transportation vibration	GB/T 4798.2-2008
	Shock	GB/T 14537-1993

## Outline Drawings:



## Weight and Size:

**Weight:** ≤.65 kg | **Size: (Typical value):** 240\*47\*76 (L\*W\*H) mm

## Naming Rules:

Type	Capacitance	Dash	Rated Voltage	Dash	CMS - Capacitor Management/Monitoring
SM Supercapacitor Module	0058 = 58F	-	016 = 16V	-	P = Passive balancing

## Notes:

1. Measure capacitance and DC internal resistance at 25°C under specified test current per Figure 1
2. Maximum voltage is non-repeatable and duration cannot exceed 1s
3. Corresponding current value after 72 hours of rated voltage at 25°C
4.  $0.5C(V_{nom}^2)/3600$
5.  $0.5C(V_{nom}^2 - 0.5V_{nom}^2)/3600$
6. Max energy (Wh)  $\left( \frac{L \times W \times H \text{ (mm)}}{1 \times 10^6} \right)$
7. Max energy (Wh)/Weight (kg)
8. Per IEC62391-2,  $P_d = \frac{0.12V^2}{ESR_{DC} \times \text{Weight(kg)}}$

**CAP/ESR Measurement Waveform**

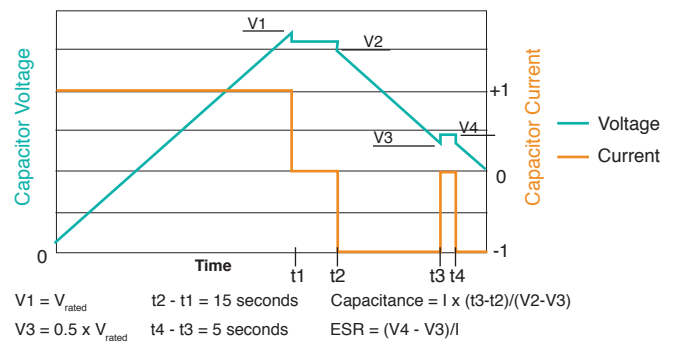


Figure 1

### Precautions:

- This product may vent or rupture if overcharged, reverse charged, incinerated or heated above 100°C
- Do not crush, mutilate, or disassemble
- Do not dispose of unit in trash

 Specifications are subject to change without notice.