

ARGUS M10

Full HD 10x Optical Zoom

10X
OPTICAL

2X
DIGITAL

60
FPS

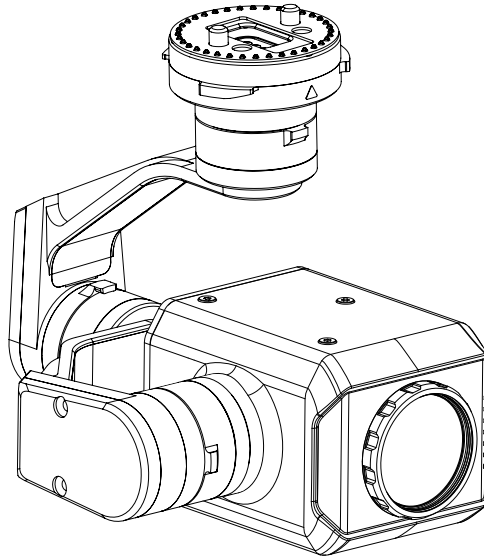
1080
FULL HD

11
MBPS



SPECIFICATIONS

ARGUS M10 - FULLHD 10X OPTICAL ZOOM CAMERA



Supported video resolutions: 1920x1080@60FPS, 1920x1080@30FPS, 1920x1080@25FPS, 1280x720@60FPS, 1280x720@50FPS

Image sensor: 4MP 1/3" CMOS sensor

Lens (wide to tele): 10x optical zoom, f=3.3 to 33.0mm

Aperture: F1.8 to F3.4

Horizontal viewing angle: 58.2 to 6.9 degrees

Shutter speed: 1/1 to 1/10000 sec

Minimum illumination: 0.5 lux (1/30 sec, F1.8, 50%)

Minimum object distance: 10mm to 800mm
(wide to tele)

Video encoding: H.265, H.264

Snapshots: JPEG

Storage: MicroSD, up to 64GB

Power consumption: Gimbal idle, recording FullHD 60FPS stream: <5W

Weight (incl. gimbal): 250g

GIMBAL

Pointing resolution: 0.5 mrad (0.00286 degrees)
Pointing accuracy: 1.75 mrad (0.1 degrees) typical
10 mrad (0.6 degrees) maximum

Range of motion: Yaw: +/- 170 degrees, Pitch: +45/-90 degrees, Roll: +/- 30 degrees

Peak Power Consumption: 36W

Document revision 22/11/2018