

CD S/D 8 LI

Single-Jet Dry Dial Magnetic
Water Meter Pulse Output Capable

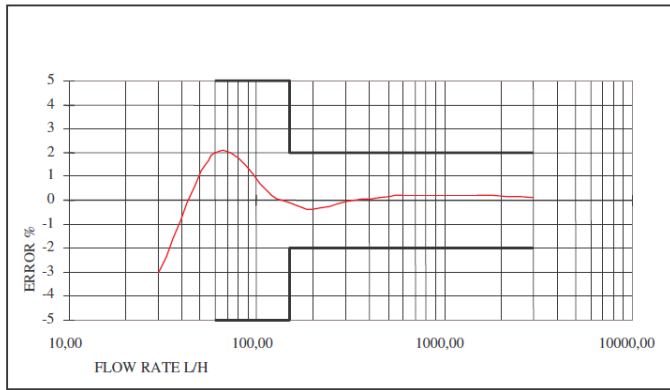
INDOOR APARTMENT WATER METER



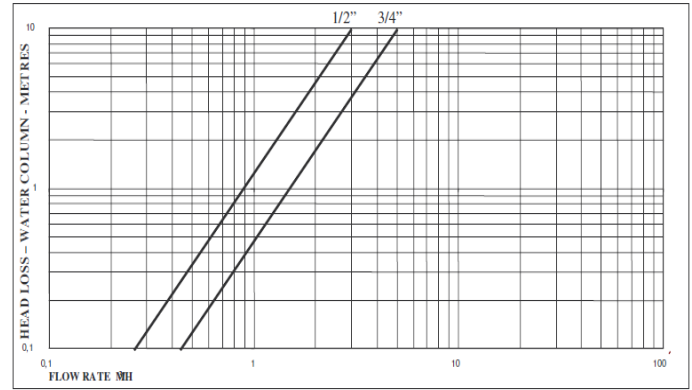
Main Characteristics

- Designed for **cold** or **hot** water 90°C rated.
- Class B approval in compliance with Directive 75/33/EEC or Directive 79/830/EEC ISO 4064 .
- Direct reading on 8 numbered drums: 5 black for cubic metres plus 3 red for decimals.
- Hot forged brass body (OT58).
- Nominal working pressure: 16 bar.
- Patented and certified device against damage caused by frost or water hammers.
- Hydraulic tests are carried out at three flow rates.
- (Qmin, Qt and Qmax) on 100% of the production. Our testing benches comply with standards ISO 4064/3 and ISO 4185 and are approved by a European metrological institute.
- RS-SD Pulse out available on request
- Pulse value: 1 pulse per 10 litres.

Typical Accuracy Curve

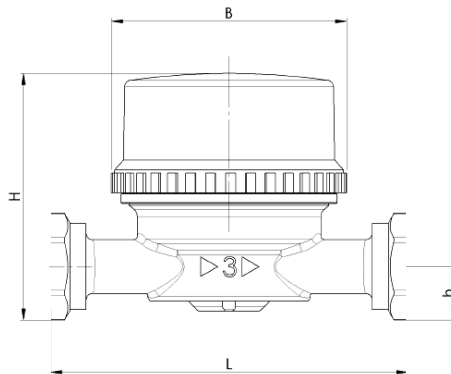


Typical Headloss Curve



Overall Dimensions and Hydraulic Performances

SIZE	mm	13	20
	inches	1/2"	3/4"
Performances in accordance with Directives 75/33/EEC, 79/830/EEC class B			
Qmin	l/h	30	50
Qt	l/h	120	200
Qn	m ³ /h	1.5	2.5
Qmax	m ³ /h	3	5
Real Performances			
Qmin	l/h	25	45
Qt	l/h	120	130
Qn	m ³ /h	1.5	2.5
Qmax	m ³ /h	3	5
Starting flow rate	l/h	10 - 12	13 - 15
Head of loss Qmax	bar	1	0.7
Nominal Pressure	bar	16	16
Maximum reading	m ³	100,000	100,000
Minimum reading	l	0.05	0.05
Turbine revolution per litre		41.33	29.76
Weight without couplings	kg	0.45	0.6
L	mm	110	130
H	mm	72	77
B	mm	14	17
b	mm	70	70
EEC approval no. - Cold water 30°C		B93 322.01	B95 322.02
EEC approval no. - Hot water 90° C		B93 48.01	B95 48 .02



The data shown in this catalogue are subject to modification without prior notice

Deeco Services Limited

Established 1938

Tel ⇒ 0800 433 326 (0800 4 DEECO)

Fax ⇒ 0800 333 267 (0800 DEECOS)

service@deeco.co.nz

www.deeco.co.nz Deeco

