

WP-F Dynamic

Protection Sieve
DN 40 ... DN 200



Main characteristics

Small head loss

Sieve elements for use with all WP-Dynamic and MeiStream bodies

Identical sieve elements for DN 40...65 and DN 80 + 100

Stainless steel sieve element

Sieve element easy to remove for cleaning

Powder coated body for maximum corrosion protection

Applications

The protection sieve will be installed to protect the water meter from damage

The heavy duty sieve element retains any large particles

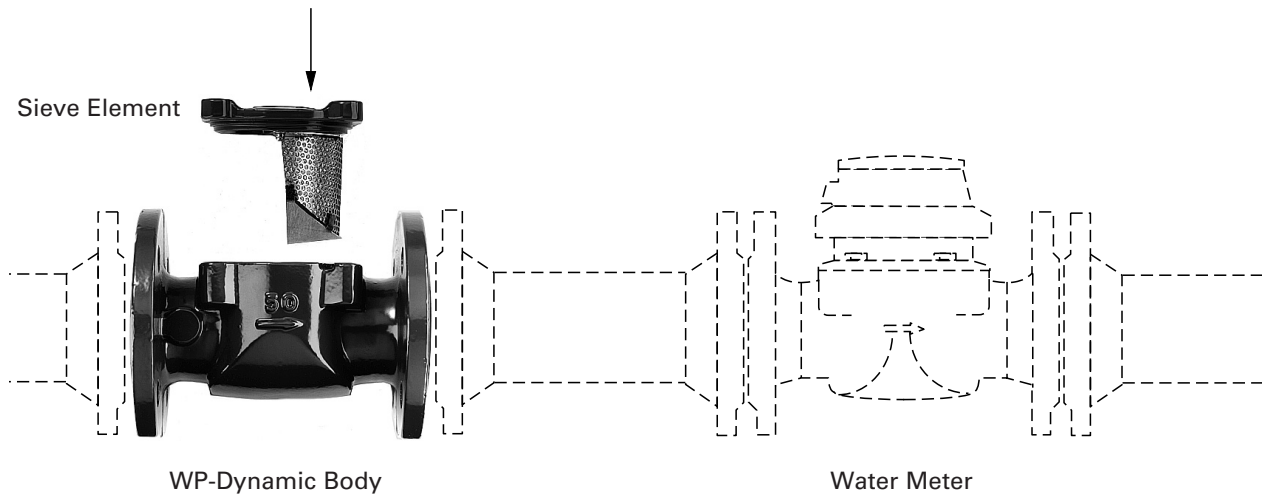
Cleaning of pipes after maintenance or rupture in the pipe

Max. working pressure 16 bar

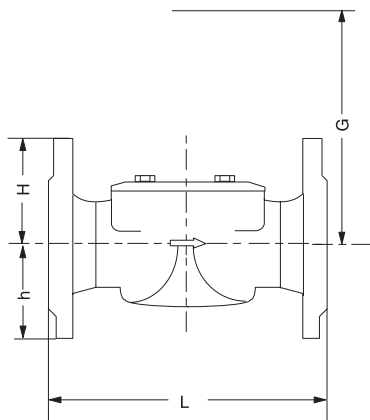
Max. water temperature 50 °C

Performance Data

please see leaflets WP-Dynamic for cold / hot water



Dimension Picture



Dimensions and Weights

DN	L (mm)	h (mm)	Sieve elem.	H (mm)	G (mm)	Weight (kg)
40	220	69	RV 3-4 DIN 24041	75	140	7.1
50	200	73		85	140	7.7
65	200	85		95	140	9.4
80	225	95		100	200	12.9
100	250	105		110	200	15.9
125	250	125		125	220	19.5
150	300	135		145	285	34.0
200	350	162		170	370	50.0

Materials

Body:	Cast iron
Cover flange:	Cast iron
Sieve element:	Stainless steel
Bolts:	Stainless steel

Order Text

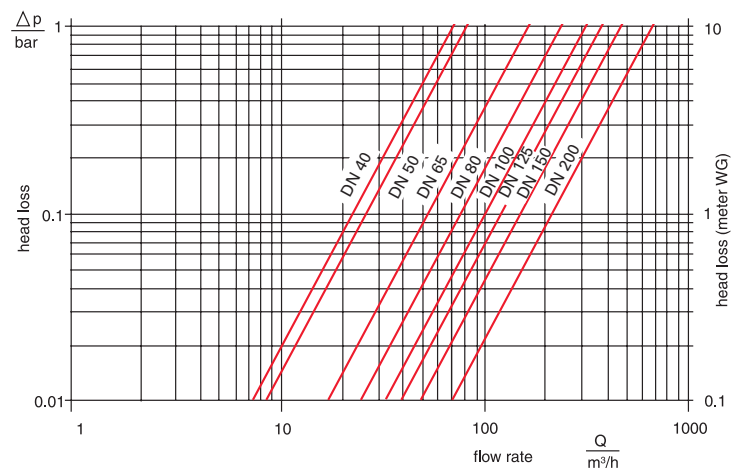
Protection sieve complete:

Specification:	Sieve complete
Nominal Diameter:	DN

Sieve element:

Specification:	Sieve element
for Nominal Diameter:	DN

Typical Head Loss Curve *)



*) with clean sieve element

qualityaustria Certified according to ISO 9001
Succeed with Quality Quality Management System Quality Austria Reg.no. 3496/0