

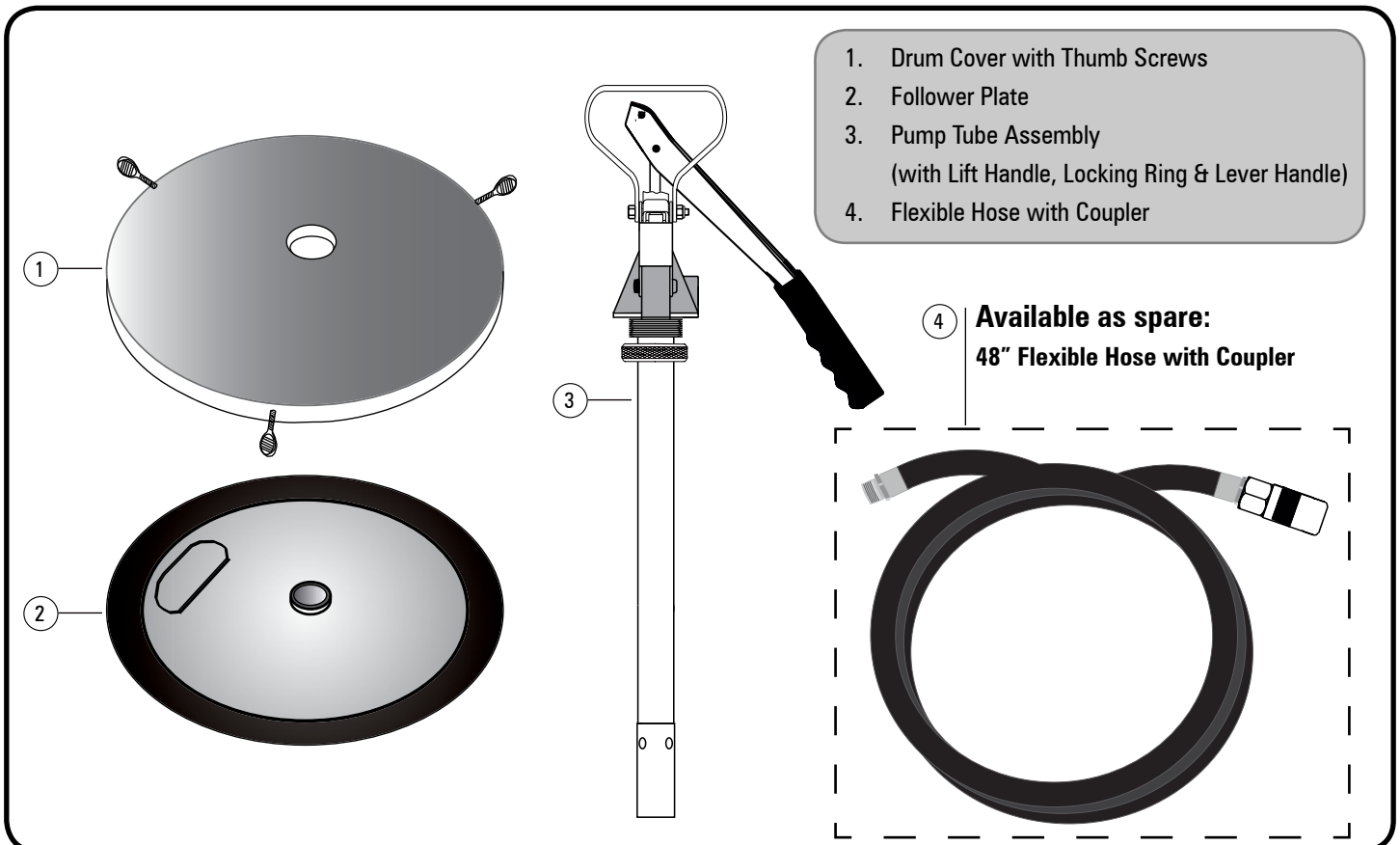
High Pressure Grease Pumps

GFP-HP

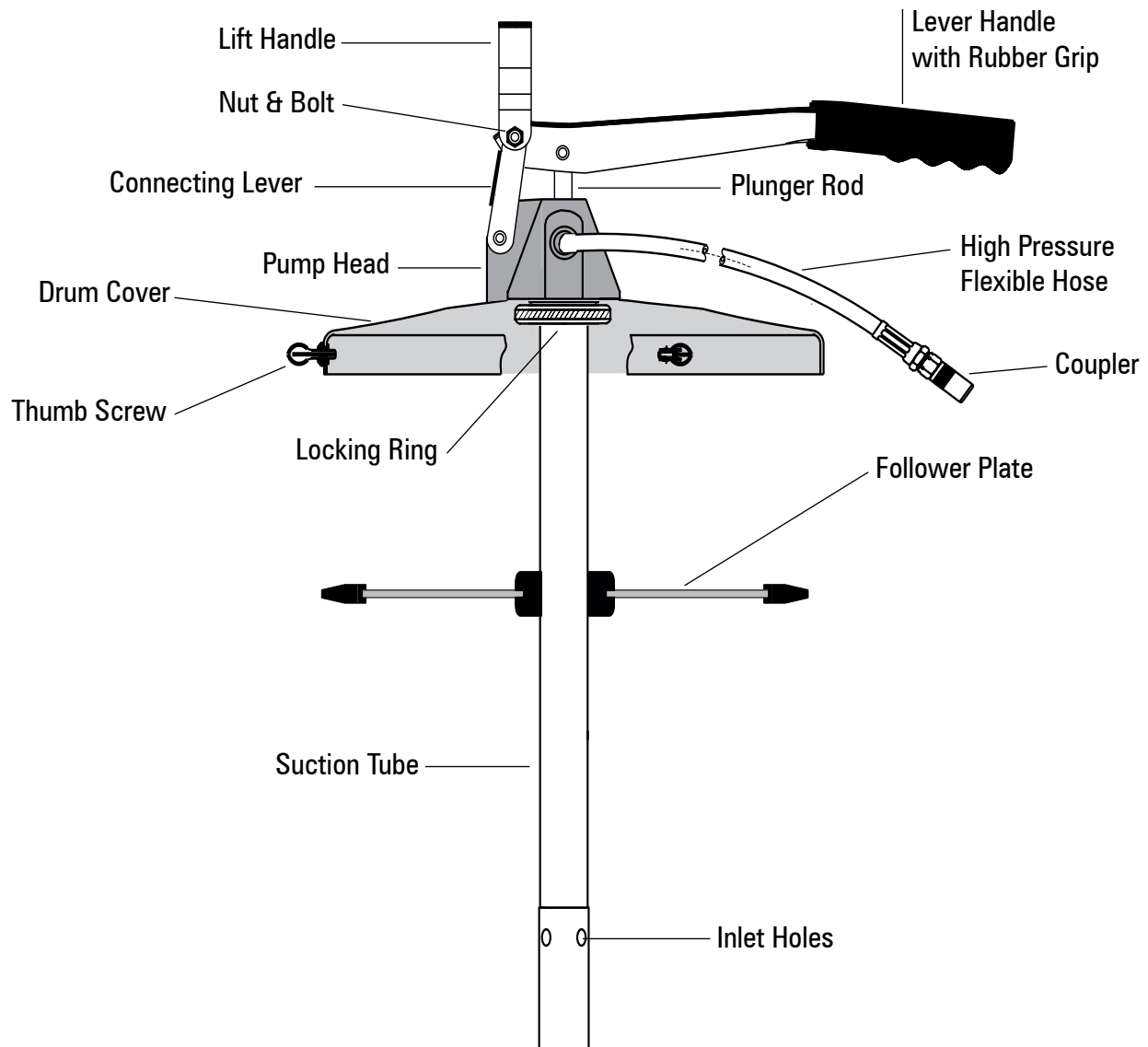
- An easy & portable high pressure hand operated grease pump
- Provides high pressure greasing, where power is not available or when an air operated grease pump cannot be afforded
- Useful for clean greasing of machinery, equipment, trucks & cars
- Steel construction with aluminum cast head & solid steel pumping chamber
- Comes complete with Lift handle, Drum Cover, Rubber Lined Follower plate, 48" flexible grease hose fitted with professional 4 jaw coupler



CONSTITUENT PARTS



PUMP CONSTRUCTION



ASSEMBLY & OPERATION

1. Attach lever handle to the lift handle using nut & bolt. Do not over tighten.
2. Unscrew & remove the Locking Ring from pump tube.
3. Push the Pump Tube assembly through the drum cover until the Pump Head rests on the drum cover.
4. Push the Locking Ring onto the pump tube & screw it onto the outer threads of Pump Head to lock the drum cover with Pump Head.
5. Fill the container with grease & insert the follower plate in container. Push it down firmly onto the grease until grease emerges through the rubber grommet.
6. While pushing the pump tube through the grommet of follower plate, place the drum cover assembly over the container. Hand tighten the thumb screws evenly to fix the drum cover firmly onto the container. Ensure that the tube assembly touches the base of the container.
7. Screw the hose assembly onto the pump outlet. Use thread sealant to ensure a leak-proof joint.
8. Now the pump is ready for **Priming**. Priming is a process of getting the pump started by operating it a few times. Start the pump by moving the lever handle. Pour 30 ml of oil (SAE 30) into the pump outlet & keep operating the lever handle until the discharge begins.

TROUBLESHOOTING

Problem	Possible Cause	Corrective Action
Pump fails to prime	Priming is needed	Pour 30ml of oil (SAE 30) into the pump outlet & keep operating the lever handle until the discharge begins
Pump does not dispense grease	Blockage in the suction line	Remove the pump from the bucket and ensure that suction tube & non-return valve at the bottom is free of any blockage

SPECIFICATIONS

	12.5 Kg Model	20 Kg (25-50 lbs) Model
Discharge Rate	Up to 1.5 gms / stroke (1 oz. in 19 strokes)	
Mechanism	Lever Action	
Max. Working Pressure	3500 PSI (240 BAR)	
Hose Length	48"	
Outlet Size	1/8" BSPT	
Bucket Size	12.5 Kg	20 Kg (25-50 lbs)
Drum Cover Dia.	11.3" (287 mm)	12.2" (310 mm)
Suction Tube O.D	25 mm	1"
Pump Length (below Drum Cover)	12.4" (315 mm)	13.7" (348 mm)



Do not use steel follower plate when using the pump with tapered grease containers (Only use rubber follower plate with tapered containers).



Keep work area clean and remove any excess grease from tools, hands, and clothing after use.

WETTED COMPONENTS

Steel, Aluminum, Nitrile Rubber, Thermoplastic

RECOMMENDED USE


Grease upto & including NLGI 2



**Groz Engineering Tools (P) Ltd.
Groz Net Industries**

Village Kherki Daula, National Highway-8
Gurgaon-122001, Haryana, INDIA
TEL +91.124.282.7700 / 221.4050
FAX +91.124.2827986 / 221.4224
FAX (USA) +1.509.271.7848
FAX (UK) +44.870.121.1854

E-MAIL info@groz-tools.com
URL www.groz-tools.com

The Groz name, Groz logo and the  mark are
trademarks of Groz Engineering Tools (P) Ltd. India