

Juniper PW HP

polywarm® coated calorifer with integrated heat pump.



MODELS

200

300

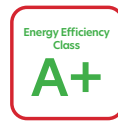
CAPACITY (litres)

200-300

modutherm

Juniper PW HP

The Juniper PW HP calorifier is available in 2 models, with capacities of 200 & 300 litres. Each utilising an integrated heat pump, with a COP of up to 2.98*, that produces DHW thanks to the heat energy naturally present in the air, allowing considerable energy savings. The heat pump, using R134a refrigerant, ensures high performance and cost efficiency. The energy (heat) is transferred from the air to the water through a condenser coil wrapped around the outside of the tank, avoiding any possible contact between the fluid and the sanitary water, ensuring maximum hygiene and safety. The output is indicated by the coefficient of performance (C.O.P.) indicating the relation between used and obtained energy*. Each calorifier has a Polywarm® coating with cathode protection.



key features

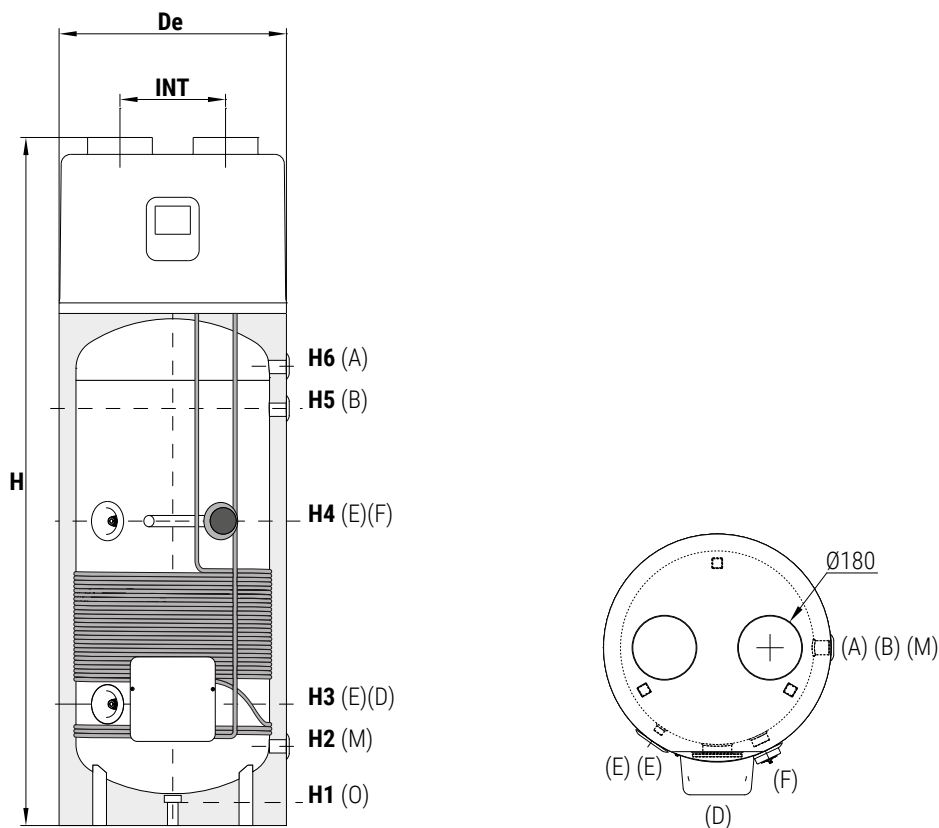
- 2.3kW* Integrated Heat Pump
- 1.5kW Electric Element
- 200 & 300 litre capacity
- Unvented kits
- Cathode protection
- Electronic Control Unit



warranty

- 5 year warranty** on tank body
- 2 year warranty** on all other components





dimensions

MODEL	Volume (litres)	De	INT	H	H1	H2	H3	H4	H5	H6
200	205	640	340	1585	71	240	350	800	815	925
300	293	640	340	1960	71	240	350	860	1190	1300

A	domestic hot water outlet							1" F
B	re-circulation							1" F
D	flange for inspection/electric immersion heater							Ø75mm
E	probe							½" F
F	magnesium anode							1¼"
M	domestic cold water outlet							1" F
O	drain							1¼"

technical data

	power supply (V / Ph / Hz)	max water temperature (°C)	coolant type (type)	coolant pressure (g)	max ducts length (m)	max static pressure (Pa)	min pipe diameter (mm)	acoustic level (dB)
	220-240/1/50	60	R134a	800	8	60	180	59**
MODEL	net volume heated by heat pump (litres)	room temperature output (°C)	C.O.P	ErP energy efficiency class	ignition time (air temperature 20°C - water temperature from 15°C to 55°C) (min)	electric integration power (W)	maximum absorption heat pump total (W)	
200	176	-5/+43	2.98 (*)	A+	236	1500	805	
300	264		2.91 (*)		353			2305

*Data obtained under the following conditions (T air 20°C - T water from 15°C to 55°C)

**Test compliant with European standard EN 12102:2013 - EN ISO 3741:2010



**Modutherm Limited,
Unit 4 Genesis
Endeavour Drive
Basildon, SS14 3WF**

modutherm.co.uk
Tel: 0345 521 5666
enquiries@modutherm.co.uk

A member of the Modular Heating Group.