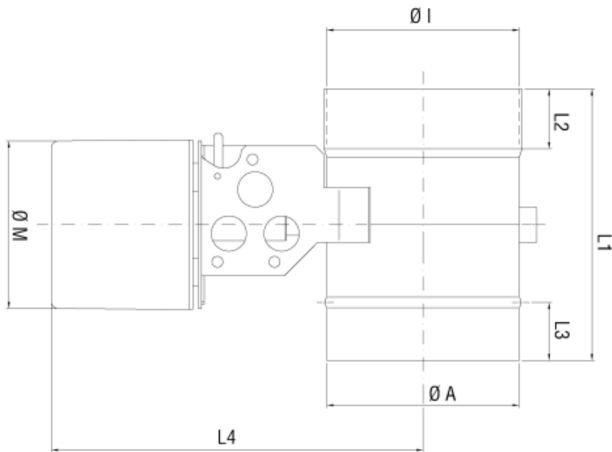


Genesis FS Flue Damper

A flue gas damper is required per boiler when using a common flue system.



technical data

	DAMPER	BOILER MODEL			
		120/160	200/250/280	420/570	840
		130	180	200	250
L1 ± 5	mm	186	186	186	186
L2 ± 3	mm	55	55	55	55
L3 ± 3	mm	55	55	55	55
L4 ± 10	mm	222	247	257	282
Ø1 + 0.5/-0	mm	130	180	200	250
ØA + 0/-0.5	mm	129.5	179.5	199.5	249.5
ØM ± 10	mm	90	90	90	90
Insulation thickness	mm	1	1	1	1
ζ-Value open		>600			
ζ-Value closed		<1.2			
Max flue gas temperature	°C	200			

Genesis FS & Genesis FS Plus – Flue gas damper/back-flow prevention.

Wiring schematic overleaf.

This document is a supplement and should be read in conjunction with the technical information provided with the boiler and the K&W MUK flue gas damper.

The K&W flue gas damper is required to prevent back-flow through the boiler when it is connected to a cascade/shared flue system. The damper must be installed in the flue system between boiler flue outlet and the connection to the flue header.

Rear 230V Panel (max load 1A).

Boiler shunt pump - QX1 6-7-8.
Alarm output - QX2 12-13-14
Flue gas damper - QX3 9-10-11

Front Panel (controls/sensors)

Enable/disable or 0-10V - H1 7-8(GND)
Flue gas damper end switch - H5 19-20 connected to P1 and P2 of KW damper.

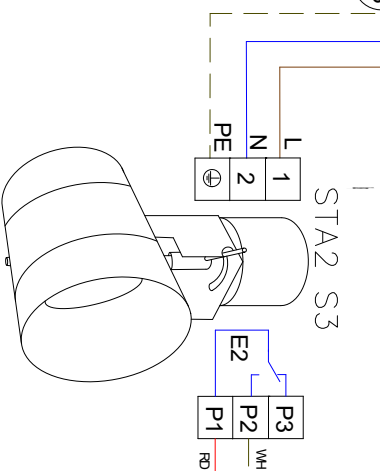
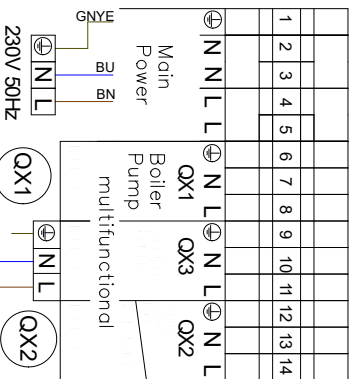
Initial set-up/commissioning instructions (enable / disable).

A. Set-up control parameters on each boiler.

1. Press Esc.
2. Press OK.
3. Hold (i) button for more than 3 seconds.
4. Rotate to Engineer level.
5. Press OK.
6. Rotate to Configuration.
7. Press OK.
8. Rotate and change parameters:
 - a. 5890 – QX1 set to boiler pump (press OK).
 - b. 5891 – QX2 set to alarm K10 (press OK).
 - c. 5892 – QX3 set to flue gas damper K37 (press OK).
 - d. H1 enable/disable **option**.
 - i. 5950 – set to consumer request VK1 (press OK).
 - ii. 5951 – set to NO (press OK).
 - e. H1 0-10V boiler output **option**.
 - i. 5950 – set to output request 10V (press OK).
 - ii. 5953 – voltage value 1 H1 set to 0 (press OK).
 - iii. 5954 – voltage function 1 H1 set to 0.0 (press OK).
 - iv. 5955 – voltage value 2 H1 set to 10.0 (press OK).
 - v. 5956 – voltage function 2 H1 set to 1000 (press OK).
 - f. 5977 – H5 set to check sign flue gas damper (press OK).
 - g. 5978 – set to NO (press OK).
 - h. 6200 – save sensors – yes (press OK).
9. Next step required for H1 enable/disable **option**.
 - a. Press escape once and rotate to Consumer circuit 1 menu – press OK to enter.
 - b. Rotate to 1859 – set temperature between 60-80°C (press OK).

- Front Panel1
 7-8(H1) - Multifunction enable/0-10V.
 19-20(H5) - Multifunction K&W end-switch.
 Rear Box (230V)
 6-7-8(QX1) - Boiler pump.
 9-10-11(QX3) - K&W motor supply.
 12-13-14(QX2) - Alarm output.

Rear Box (RB)



Front Panel 1 (FP1)

1	●	BX1 System temp. sensor /Multifunctional	Z2
2	●	B38	Z4
3	●	DHW Sensor	H5
4	●	B9	
5	●	Outside sensor	
6	●	H1 Enable/Disable /Multifunctional	L4
7	●		
8	●		
9	●		
10	●	sensor /Multifunctional	Z3
11	●	X15 Boiler pump PWM	U2
12	●		
13	●	UX2 Analog output 0-10V	K8
14	●		
15	●	UX3 Analog output 0-10V	K7
16	●		
17	●	24V DC	W1
18	●		
19	●		
20	●	H5 Multifunctional	L5

Max P = 3W
I = 0,125A