

Expansion Vessels

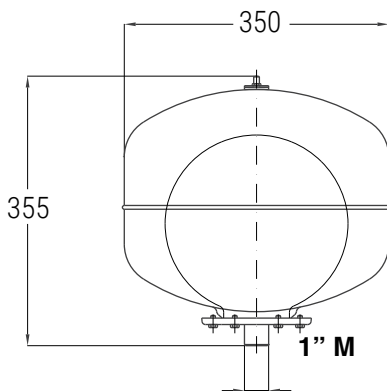
Modutherm expansion vessels are available as a vertical or horizontal model and are suitable for heating, chilled and potable water applications. Our range has a replaceable membrane, and are produced in accordance to the European directive 2014/68/UE and are CE labeled. Available from 24-500 litres, enabling accurate sizing for your system.

key features

- 7 models
- Up to 10 bar working pressure
- 99°C maximum operating temperature
- Heavy gauge steel powder coated white

warranty

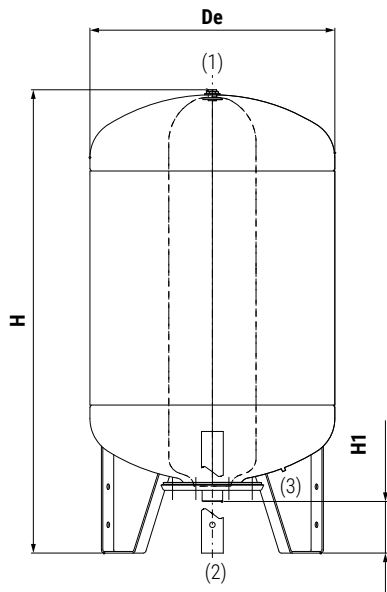
- 2 year warranty*



wall mounted

MODEL	MAX PRESSURE (bar)	MIN/MAX TEMPERATURE (°C)
EV24W	8	-10/+99

*subject to Terms & Conditions



floor standing vertical

MODEL	DE (mm)	H (mm)	H1 (mm)	1	2	3	MAX PRESSURE (bar)	
EV 50 V	400	627	91	Air valve	1" M	-	10	
EV 80 V	450	717	88	Air valve	1" M	-	10	
EV 100 V	550	872	88	½"	1" M	Air inlet valve	10	
EV 200 V	600	1167	151	½"	1¼" F		10	
EV 300 V	650	1254	150	½"	1¼" F		6	
EV 500 V	750	1511	144	½"	1¼" F		6	
MIN/MAX TEMPERATURE WORKING CONDITIONS							-10°C/+99°C	



MODEL

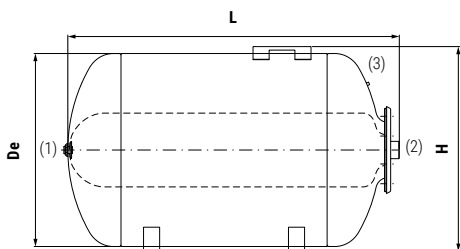
V



MODEL

H

floor standing horizontal



MODEL	DE (mm)	H (mm)	L (mm)	1	2	3	MAX PRESSURE (bar)	
EV 50 H	400	424	583	Air valve	1" M	-	10	
EV 80 H	450	473	598	Air valve	1" M	-	10	
EV 100 H	450	473	783	½"	1" M	Air inlet valve	10	
EV 200 H	550	583	1066	½"	1¼" F		10	
EV 300 H	650	807	1080	½"	1¼" F		6	
EV 500 H	750	900	1350	½"	1¼" F		6	
MIN/MAX TEMPERATURE WORKING CONDITIONS							-10°C/+99°C	