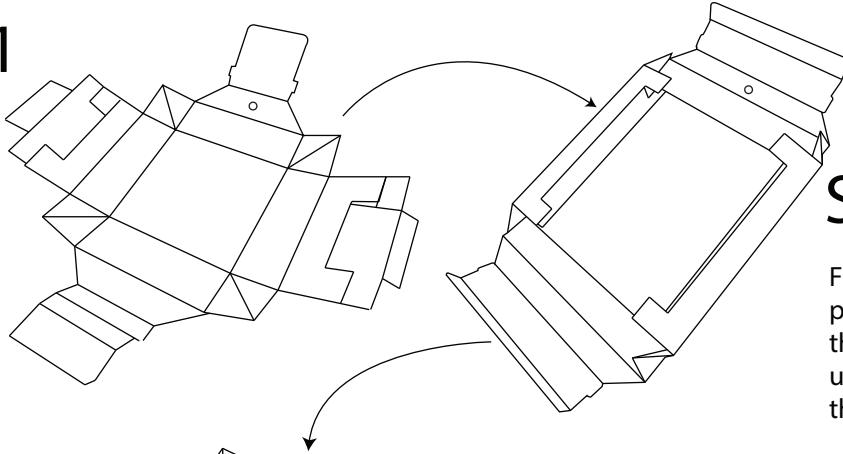


Step 1

Pre-fold the panels and creases

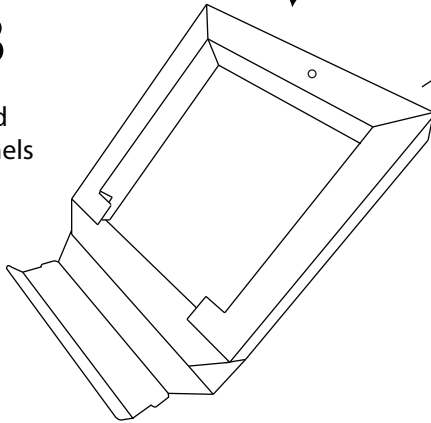


Step 2

Fold in the side panels and tuck the bottom underneath so the tabs are on-top.

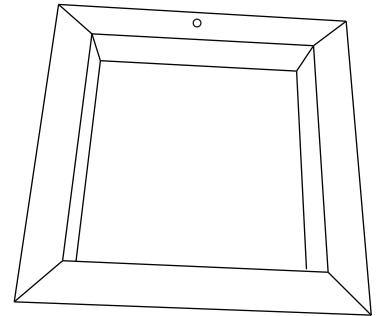
Step 3

Repeat the fold on the top panels bringing them over the tabs and tucking underneath



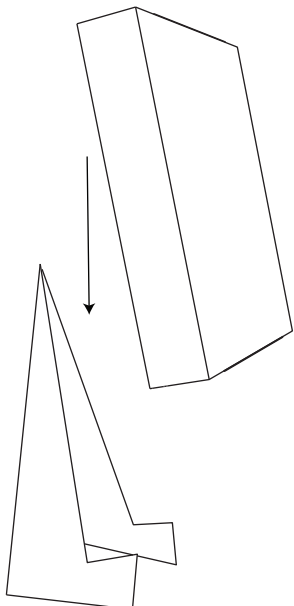
Step 4

Folded panels now should be locked in, Enjoy!



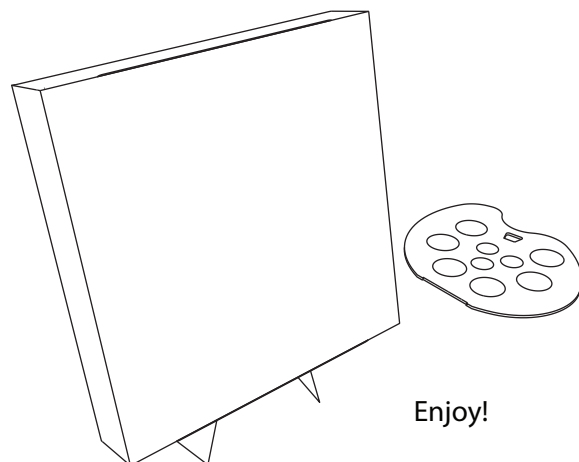
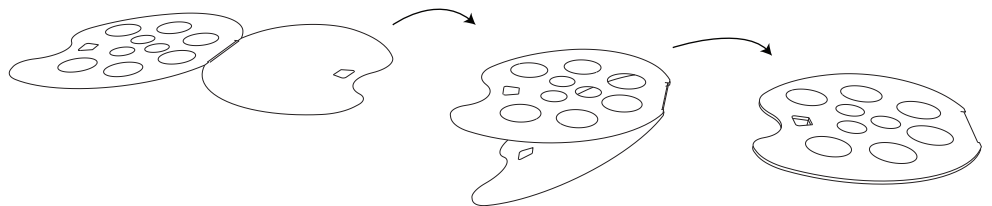
Step 5

Fold the support as shown



Step 6

Fold and lock the paint palette



Enjoy!