

JSLED®

MJ-24200

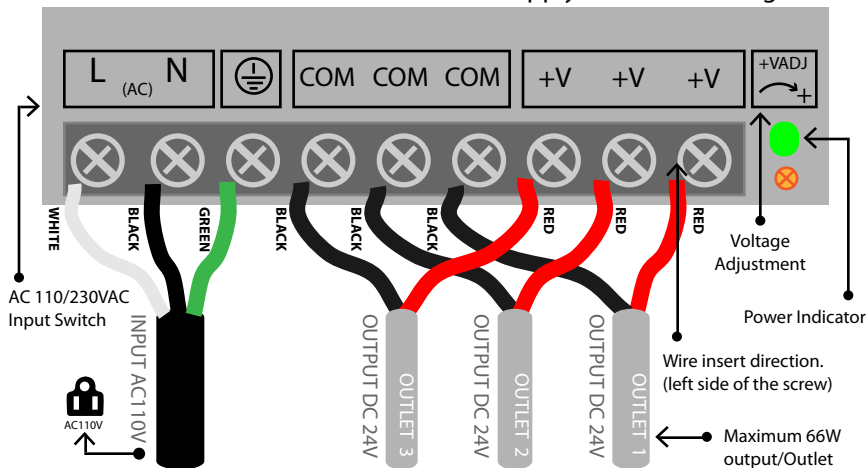
PRODUCT ITEM : POWER SUPPLY
MODEL NUMBER : MJ-24200
AC INPUT POWER : 180-262VAC 50Hz
DC OUTPUT POWER : 24V 8.3A
TOTAL WATT : 200W
DIMENSIONS: 7.13 x 4.5 x 1.11 inches

Features:
Maximum 200 Watts Constant Voltage Output
DC 110 V / DC 230V Switch Selection
Fixed switching frequency at 100KHz
OCP, OVP, SCP Protection and Auto Recovery
Reliability level of 17,520 Hours MTBF &
0.5% annual field failure rate @25 C.

20120101

JS LED POWER INC.

Power Supply Connection Diagram



CAUTION

This power supply is designed for JS LED's Products only
24V LED Wall Washer & LED Flex Neon Tube
DO NOT USE THIS FOR ANY OTHER PERPOSE OR DEVICES
For questions of the product or technical support
Please go to www.jsledpower.com or 1-800-909-5188