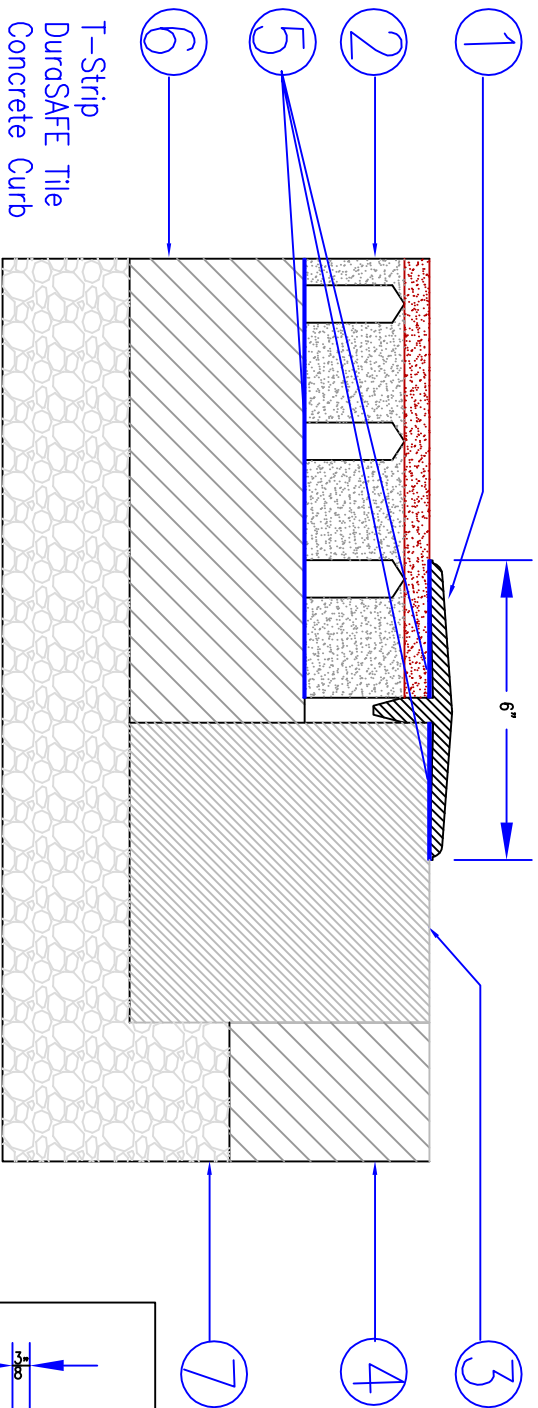
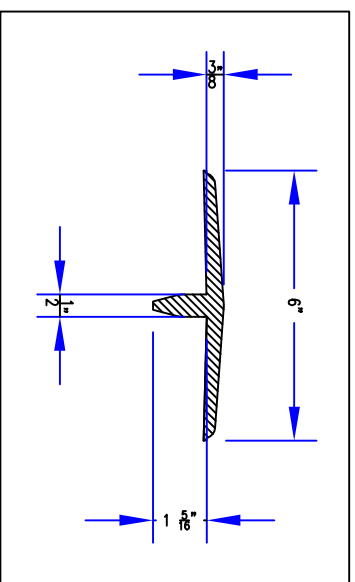




T - Strip



- ① T-Strip
- ② DuraSAFE Tile
- ③ Concrete Curb
- ④ Sidewalk
- ⑤ Adhesive
- (push strip flat and weight down while adhesive is curing)
- ⑥ Concrete Subsurface
- ⑦ Compacted Aggregate



DuraSAFE Thickness	Critical Fall Height (FT)	FILE NAME	Descriptive Name	PREPARED BY	B. GOSS
N/A	N/A	REV	DESCRIPTION	DATE	
		0	ORIGINAL ISSUE	8/16/16	
		SIZE	SCALE	DWG. NO.	REV
		A	N/A	2017-017	1



4393 DISCOVERY LINE  
 PETROLIA, ONTARIO  
 NON 1RD  
 PHONE: (800) 263-2363  
 PHONE: (519) 882-8799  
 FAX: (519) 882-2697  
 EMAIL: info@softsurfaces.com

