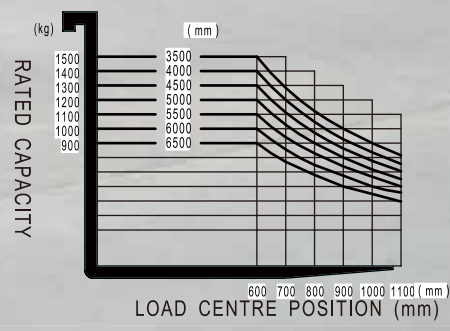


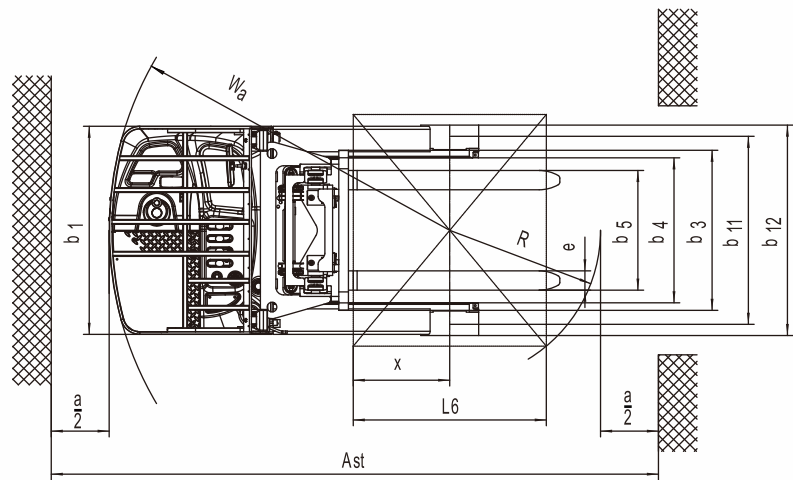
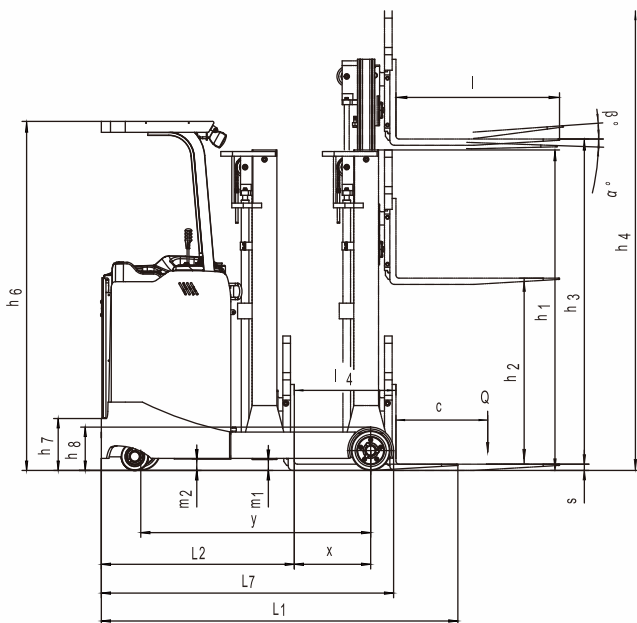


RATED CAPACITIES GRAPH



DYNA15S

Electric Stand-up Reach Truck 1.5t



Electric Reach Truck 1.5t DYNA15S

Distinguishing mark				
1.1	Manufacturer		DYNA	
1.2	Model designation		DYNA15S	
1.3	Drive unit		Battery	
1.4	Operator type		standing	
1.5	rated capacity	Q	t	1.5
1.6	Load center distance	c	mm	600
1.9	Wheelbase	y	mm	1504
Weight				
2.1	Service weight (include battery)		kg	2370 ^①
2.2	Axle loading, fork advanced, unladen driving side/loading side		kg	1229/1230
2.3	Axle loading, fork retracted, unladen driving side/loading side		kg	1621/846
2.4	Axle loading, fork advanced, laden driving side/loading side		kg	490/3445
2.5	Axle loading, fork retracted, laden driving side/loading side		kg	1510/2416
Types,Chassis				
3.1	Tyre type driving wheels/loading wheels			polyurethane
3.2	Tyre size, driving wheels (diameter×width)		mm	260×105
3.3	Tyre size, loading wheels (diameter×width)		mm	254×114
3.4	Tyre size, caster wheels (diameter×width)		mm	178×73
3.5	Wheels, number driving, caster/loading (x=drive wheels)			1, 2, 2
3.6	Track width, front,driving side	b ₁₀	mm	700
3.7	Track width,rear,loading side	b ₁₁	mm	974
Dimensions				
4.1	Tilt of mast/fork carriage forward/backward	α/β	°	2/4
4.2	Height, mast lowered	h ₁	mm	2050 ^②
4.3	Free lift (load backrest)	h ₂	mm	0 ^②
4.4	Lift height	h ₃	mm	3000 ^②
4.5	Height, mast extended	h ₄	mm	3860 ^②
4.7	Height of overhead guard (cabin)	h ₆	mm	2235
4.8	Seat height/standing height	h ₇	mm	335
4.10	Height of wheel arms	h ₈ (mm)	mm	280
4.19	Overall length (minimum)	l ₁	mm	2335 ^③
4.20	Length to face of forks	l ₂	mm	1265 ^③
4.21	Overall width	b ₁ / b ₂	mm	1078/1090
4.22	Fork dimensions	s/ e/ l	mm	40×100×1070
4.23	Fork carriage class/type A, B			A
4.24	Fork carriage width	b ₃	mm	830
4.25	Distance between fork-arms	b ₅	mm	200-620
4.26	Distance between wheel arms/loading surfaces	b ₄	mm	750
4.28	Reach distance	l ₄	mm	665 ^③
4.31	Ground clearance, laden, below mast	m ₁	mm	70
4.32	The minimum ground clearance of frame	m ₂	mm	70
4.34.1	Aisle width for pallets 1000 × 1200 crossways	Ast	mm	2745 ^③
4.34.2	Aisle width for pallets 800 × 1200 lengthways	Ast	mm	2770 ^③
4.35	turning radius	Wa	mm	1765
4.37	Length across wheel arms (exclusive fork)	l ₇	mm	1912
Performance data				
5.1	Travel speed, laden/ unladen		km/ h	8.5/9
5.2	Lifting speed, laden/ unladen		m/ s	0.28/0.44
5.3	Lowering speed, laden/ unladen		m/ s	0.52/0.48
5.4	Reaching speed, laden / unladen		m/ s	0.1
5.8	Max. gradeability, laden/unladen		%	8/10
5.10	Service brake type			Electromagnetic
	Park brake type			Electromagnetic
Electric-engine				
6.1	Drive motor rating S2 60 min		kW	4
6.2	Lift motor rating at S3 15%		kW	8.2
6.3	The maximum allowed size battery		mm	1030×353×784
6.4	Battery voltage/nominal capacity K5		V/ Ah	48V/420Ah ^④
6.5	Battery weight		kg	739 ^④
Addition data				
8.1	Type of drive unit			AC
10.5	Steering type			Electroni
10.7	Sound pressure level at the driver's ear		dB (A)	75

1.The parameters in the table are of the standard model. For more information please contact us.

2.The parameters are subject to change without notice.