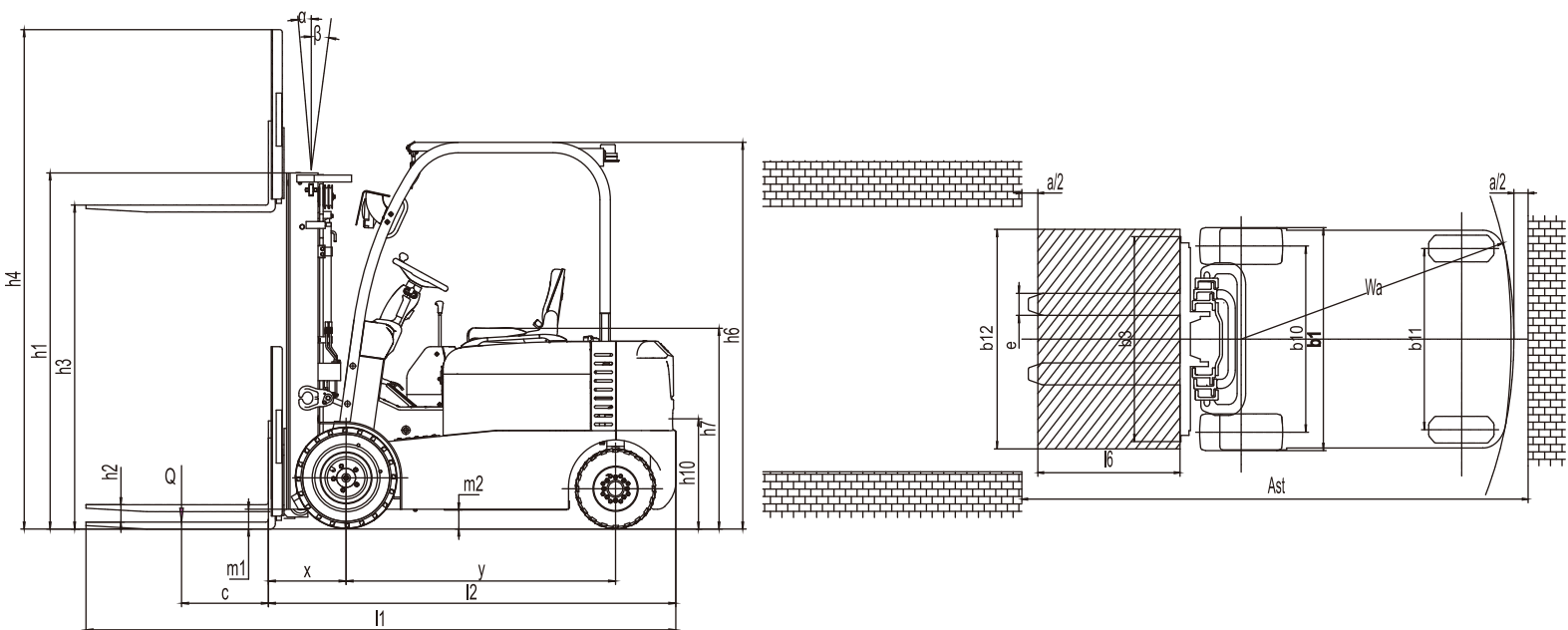




DYNA15/20/30/35L1

1.5/2.0/3.0/3.5T Electric Counterbalance Forklift Truck



Product parameters

distinguishing mark			DYNA	DYNA	DYNA	DYNA
1.1	Manufacturer		DYNA	DYNA	DYNA	DYNA
1.2	Model designation		DYNA15L1	DYNA20L1	DYNA30L1	DYNA35L1
1.3	Drive unit		Electrics	Electrics	Electrics	Electrics
1.4	Operator type		seated	seated	seated	seated
1.5	rated capacity	Q t	1.5	2	3	3.5
1.6	Load center distance	c mm	500	500	500	500
1.8	Load distance , centre of drive axle to fork	x mm	405	405	500	500
1.9	Wheelbase	y mm	1470	1470	1698	1698
Weight						
2.1	Service weight (include battery)	kg	2640	2950	4830	5360
2.2	Axle loading, laden driving wheels /steering wheels	kg	3615/525	4380/570	6840/990	7750/1110
2.3	Axle loading, unladen driving wheels /steering wheels	kg	1190/1450	1155/1795	2065/2765	2185/3175
Types,Chassis						
3.1	Tyre type,driving wheels /steering wheels		solid rubber	solid rubber	solid rubber	solid rubber
3.2	Tyre size, driving wheels		18X7-8	18X7-8	23X10-12 (578X228)	23X10-12 (578X228)
3.3	Tyre size, steering wheels		5.00-8	5.00-8	200/50-10 (453X194)	200/50-10 (453X194)
3.5	Wheels, number driving/steering (x=drive wheels)	mm	2x/ 2	2x/ 2	2x/ 2	2x/ 2
3.6	Tread, Driving wheels	b ₁₀ mm	910	910	1100	1100
3.7	Tread, Steering wheels	b ₁₁ mm	920	920	1020	1020
Dimensions						
4.1	Tilt of mast/fork carriage forward/backward	α/ β (°)	6/ 11	6/ 11	5/ 9	5/ 9
4.2	Height, mast lowered	h ₁ mm	2080	2080	2210	2210
4.3	Free lift (load backrest)	h ₂ mm	95	95	140	140
4.4	Lift height	h ₃ mm	3000	3000	3000	3000
4.5	Height, mast extended	h ₄ mm	4015	4015	4105	4105
4.7	Height of overhead guard (cabin)	h ₆ mm	2080	2080	2210	2210
4.8	Seat height	h ₇ mm	1050	1050	1120	1120
4.12	Tow center of pin height	h ₁₀ mm	360	360	380	380
4.19	Overall length	l ₁ mm	3270	3270	3660	3660
4.20	Length to face of forks	l ₂ mm	2200	2200	2590	2590
4.21	Overall width	b ₁ / b ₂ mm	1080	1080	1356	1356
4.22	Fork dimensions	s/ e/ l mm	40×100×1070	40×100×1070	45×125×1070	50×125×1070
4.23	Fork carriage class/type A, B		2A	2A	3A	3A
4.24	Fork carriage width	b ₃ mm	1040	1040	1228	1228
4.31	Ground clearance, laden, below mast	m ₁ mm	110	110	125	125
4.32	The minimum ground clearance of frame	m ₂ mm	105	105	130	130
4.34.1	Aisle width for pallets 1000 × 1200 crossways	Ast mm	3685	3685	4090	4090
4.34.2	Aisle width for pallets 800 × 1200 lengthways	Ast mm	3885	3885	4290	4290
4.35	Turning radius	Wa mm	2080	2080	2390	2390
Performance data						
5.1	Travel speed, laden/ unladen	km/ h	10.5/14	10.5/14	15/16	15/16
5.2	Lifting speed, laden/ unladen	m/ s	0.3/ 0.42	0.28/ 0.42	0.4/0.45	0.4/0.45
5.3	Lowering speed, laden/ unladen	m/ s	0.42/ 0.45	0.43/ 0.45	0.44/ 0.48	0.44/ 0.48
5.5	Drawbar pull, laden/unladen	N	—	—	—	—
5.6	Max. drawbar pull, laden/unladen (time)	N	—	10000	—	—
5.7	Gradeability, laden/unladen	%	—	—	—	—
5.8	Max. gradeability, laden/unladen	%	10.5/14	10.5/14	16/20	16/20
5.10	Service brake type		Electromagnetic	Electromagnetic	Hydraulic / Mechanical	Hydraulic / Mechanical
	park brake type		Electromagnetic	Electromagnetic	Mechanical	Mechanical
Electric-engine						
6.1	Drive motor rating S2 60 min	kW	6	6	16.6	16.6
6.2	Lift motor rating at S3 15%	kW	7.5	7.5	24	24
6.3	The maximum allowed size battery	mm	—	—	891 X 550 X 680	891X550X680
6.4	Battery voltage/nominal capacity K5		—	—	80V 540AH	80V540AH
6.5	Battery weight	kg	—	—	490	490
	Standard battery pack capacity	V / AH	48V / 360AH	48V / 360AH	80V / 540Ah	80V / 540Ah
	Chemical Material		LFP	LFP	LFP	LFP
	Charger	V / A	48V / 150A	48V / 150A	80V / 200A	80V / 200A
Addition data						
8.1	Type of drive unit		AC	AC	AC	AC
10.5	Steering type		—	—	—	—
10.7	Sound pressure level at the driver' s ear	dB (A)	—	—	70	70