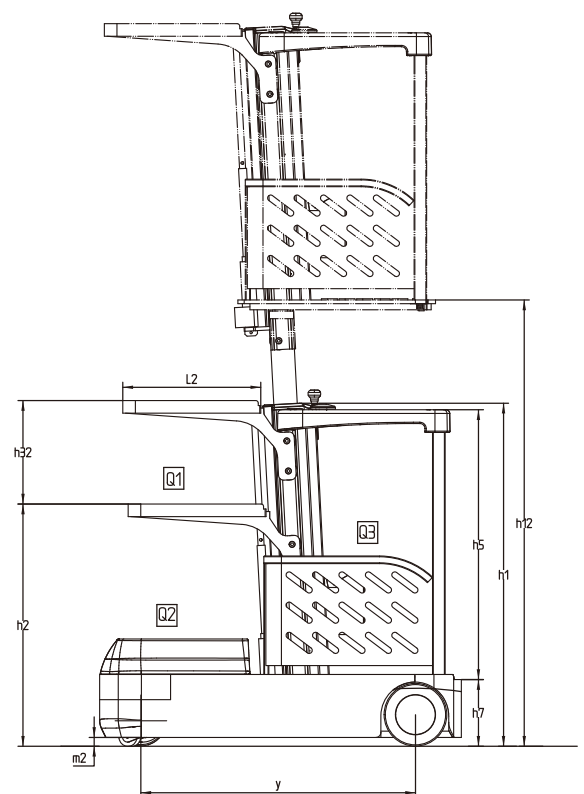
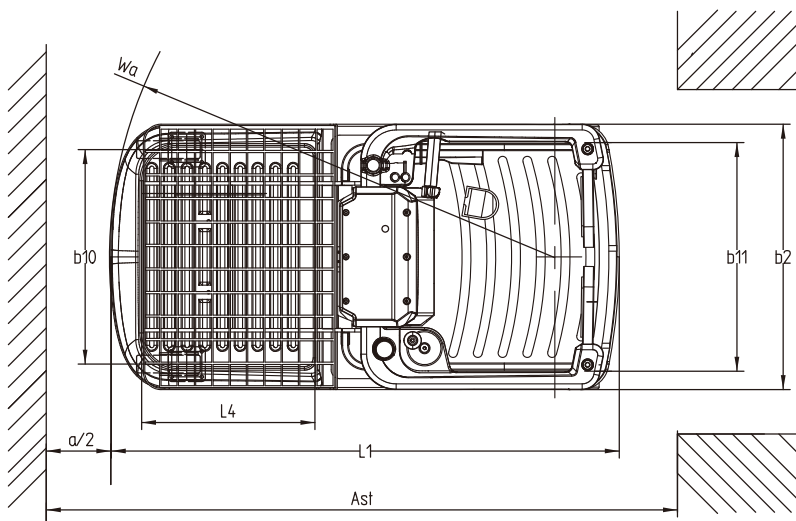


Dyna Lift



DYNA-X0 Lithium-ion Battery

Medium Level Order Selector



Medium Level Order Selector

DYNA-X0

Distinguishing mark				
1.1	Manufacturer			DYNA
1.2	Model designation			DYNA-X0
1.3	Drive unit			Electric
1.4	Operator type			Standing before the type
1.5	rated capacity on front platform	Q ₁	kg	90
	rated capacity on behind platform	Q ₂	kg	110
	rated capacity on standing platform	Q ₃	kg	136
1.9	Wheelbase	y	mm	1095
Weight				
2.1	Service weight (include battery)		kg	800
2.2	Axle loading, laden driving side/loading side		kg	
2.3	Axle loading, unladen driving side/loading side		kg	370/430
Types,Chassis				
3.1	Tyre type Driving wheels/Loading wheels			polyurethane /rubber
3.2	Tyre size, driving wheels (diameter×width)		mm	Φ210×70
3.3	Tyre size, loading wheels (diameter×width)		mm	Φ250×100
3.5	Wheels, number driving, caster/loading (x=drive wheels)		mm	1x +2
3.6	Track width, front,driving side	b ₁₀	mm	545
3.7	Track width,rear,loading side	b ₁₁	mm	640
Dimensions				
4.2	Height, mast lowered	h ₁	mm	1365
4.8	Seat height/standing height	h ₇	mm	275
4.14	Stand height, elevated	h ₁₂	mm	3060
	Lift height	h ₃₂	mm	500
4.19	Overall length	L ₁	mm	1440
4.21	Overall width	b ₂	mm	750
4.32	Ground clearance, center of wheelbase	m ₂	mm	35
4.33	Fork dimensions	L ₂	mm	540×740
4.34	initial height of front cargo platform	h ₂	mm	870
4.35	Control handle height	h ₅	mm	1040
4.36	Fork dimensions	L ₄	mm	490×630
4.38	The channel width	Ast	mm	1850
4.39	Turning radius	Wa	mm	1260
Performance data				
5.1	Travel speed, laden/ unladen		km/ h	6/6.5
5.2	Lifting speed, laden/ unladen		m/ s	0.213/0.225
	Lifting speed, laden/ unladen		m/ s	0.023/0.028
5.3	Lowering speed, laden/ unladen		m/ s	0.230/0.233
	Lowering speed, laden/ unladen		m/ s	0.30/0.29
5.8	Max. gradeability, laden/unladen		%	5/8
5.10	Service brake type			Electromagnetic
Electric-engine				
6.1	Drive motor rating S2 60 min		kW	0.65
6.2	Lift motor rating at S3 15%		kW	2.2
Addition data				
8.1	Type of drive unit			DC
10.5	Steering type			Electronic
10.7	Sound pressure level at the driver's ear		dB (A)	74

1.The parameters in the table are of the standard model. For more information, please contact us.

2.The parameters are subject to change without notice.