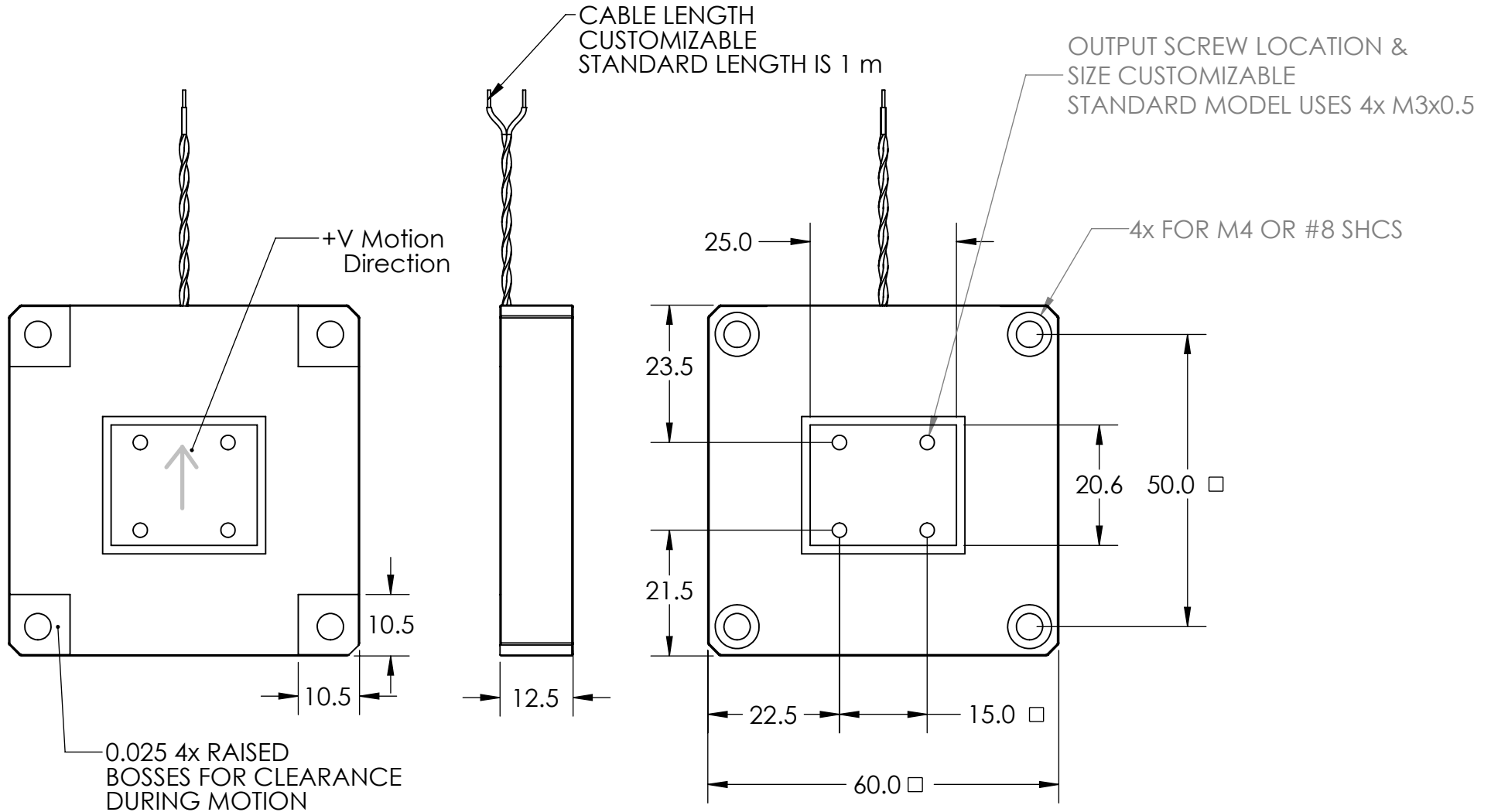


SIMPLIFIED MODEL SHOWN



COPYRIGHT 2020
 By Dynamic Structures & Materials, LLC

CONTACT:
SALESINFO@DYNAMIC-STRUCTURES.COM
 (615)595-6665
 FOR MORE INFORMATION

PROPRIETARY AND CONFIDENTIAL
 THE INFORMATION CONTAINED IN THIS DRAWING IS THE SOLE
 PROPERTY OF DYNAMIC STRUCTURES AND MATERIALS. ANY
 REPRODUCTION IN PART OR AS A WHOLE WITHOUT THE WRITTEN
 PERMISSION OF DYNAMIC STRUCTURES AND MATERIALS IS
 PROHIBITED.

UNITS: mm

MATERIAL

PZT, SS, TI, CU, NI, PTFE,
 EP, ZN, AG

05/07/2020

MODEL XSA-0200C-S-0718-150-SS

DWG XSA-07-WEB

REV A