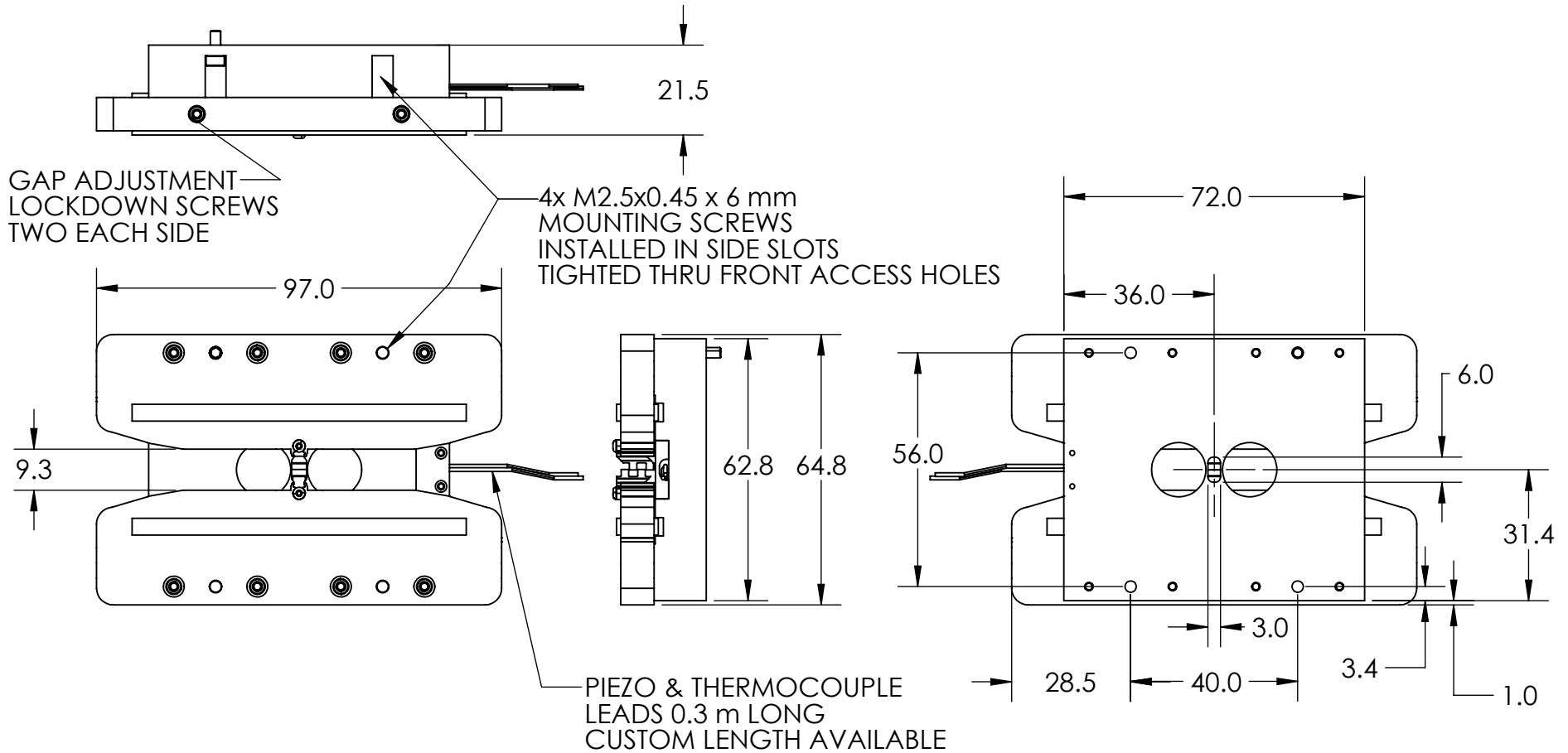


**SIMPLIFIED MODEL SHOWN**



COPYRIGHT 2020  
 By Dynamic Structures & Materials, LLC

CONTACT:  
[SALESINFO@DYNAMIC-STRUCTURES.COM](mailto:SALESINFO@DYNAMIC-STRUCTURES.COM)  
 (615)595-6665  
 FOR MORE INFORMATION

**PROPRIETARY AND CONFIDENTIAL**  
 THE INFORMATION CONTAINED IN THIS DRAWING IS THE SOLE  
 PROPERTY OF DYNAMIC STRUCTURES AND MATERIALS. ANY  
 REPRODUCTION IN PART OR AS A WHOLE WITHOUT THE WRITTEN  
 PERMISSION OF DYNAMIC STRUCTURES AND MATERIALS IS  
 PROHIBITED.

UNITS: mm  
 MATERIAL  
 PZT, TI, SS, CU, NI, PTFE,  
 EP, ZN, AG

05/22/2020

MODEL	XRS1-2500 PIEZO SHUTTER	
DWG	XRS-25-WEB	REV A