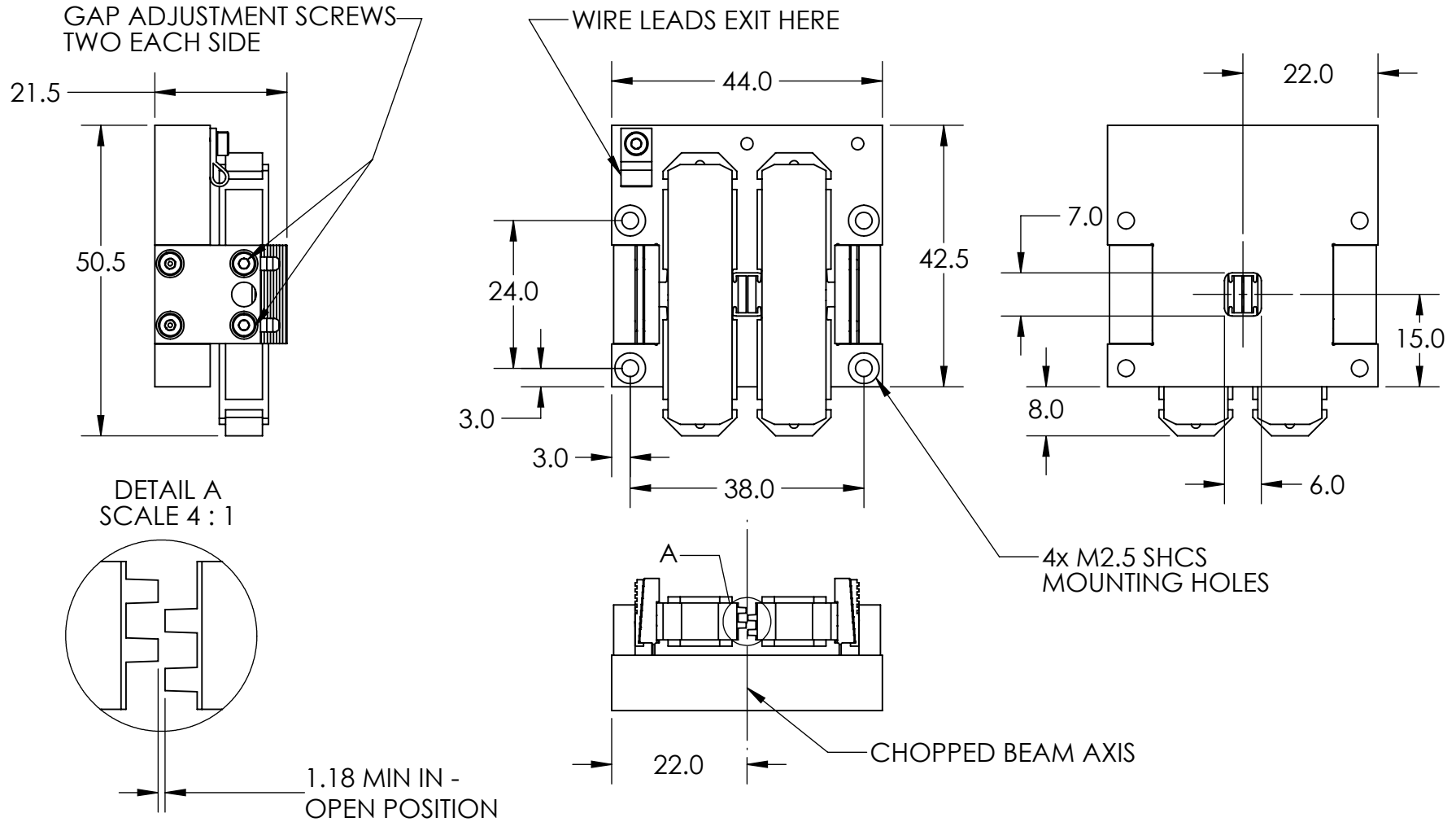


SIMPLIFIED MODEL SHOWN



COPYRIGHT 2020
 By Dynamic Structures & Materials, LLC

CONTACT:
SALESINFO@DYNAMIC-STRUCTURES.COM
 (615)595-6665
 FOR MORE INFORMATION

PROPRIETARY AND CONFIDENTIAL
 THE INFORMATION CONTAINED IN THIS DRAWING IS THE SOLE
 PROPERTY OF DYNAMIC STRUCTURES AND MATERIALS. ANY
 REPRODUCTION IN PART OR AS A WHOLE WITHOUT THE WRITTEN
 PERMISSION OF DYNAMIC STRUCTURES AND MATERIALS IS
 PROHIBITED.

UNITS: mm
MATERIAL
 PZT, SS, TI, CU, NI, PTFE,
 EP, ZN, AG

05/22/2020

MODEL	XRS1-1600 PIEZO SHUTTER	
DWG	XRS-16-WEB	REV A