

PSA350 High Frequency Piezo Actuator

Description

- Linear contracting motion with unipolar displacement of 350 μm and bipolar displacement up to 400 μm
- Minimal moving mass results in exceptionally high resonant frequency
- Customizable and scalable for new applications

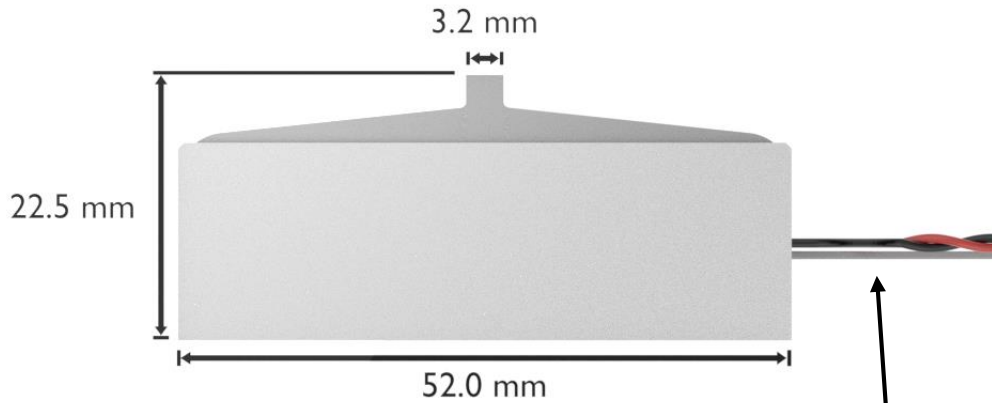
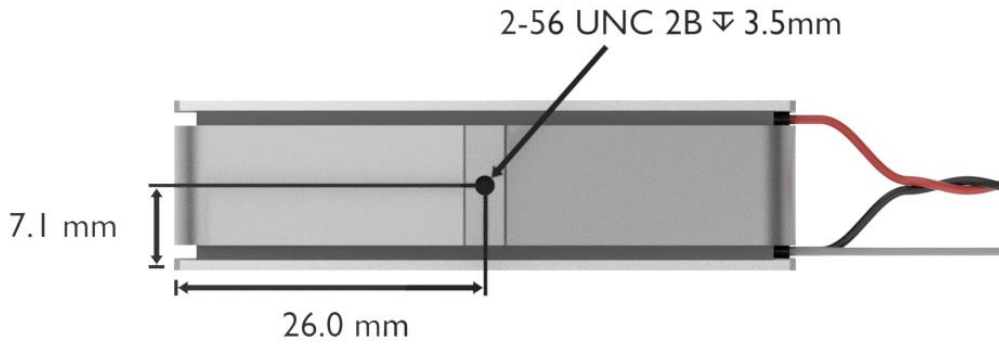
Recommended Applications

- Shutters
- Valves
- Pick and Place
- High-frequency switches
- Industrial Automation



Specifications

Motion Direction:	Contracting
Open-loop Displacement: Voltage Range: 0V to +150V	350 μm \pm 15%
Open-loop Displacement: Voltage Range: -30V to +150V	400 μm \pm 15%
Stiffness In Motion Direction:	0.24 N/ μm
Resonant Frequency, No Load	2400 Hz
Blocked Force in Motion Direction: (Stiffness x Displacement 0V to +150V)	84 N
Blocked Force in Opposite Direction: (Stiffness x Displacement 0V to -30V)	12 N
Capacitance at 1VDC:	6.8 μF \pm 20%
Mass:	45 g
Operating Environment:	-20°C to 80°C; 0 to 50% RH
Materials:	Stainless steel, Cu, PTFE, Al
Connectors:	Flying Leads, Custom Options Available



A K-type thermocouple lead and two 26 AWG Lead Wires (a single red and a single black) exit the actuator per PZT stack polarity
Standard Flying Lead length is 50 mm