

Circus, Soft

EDITS

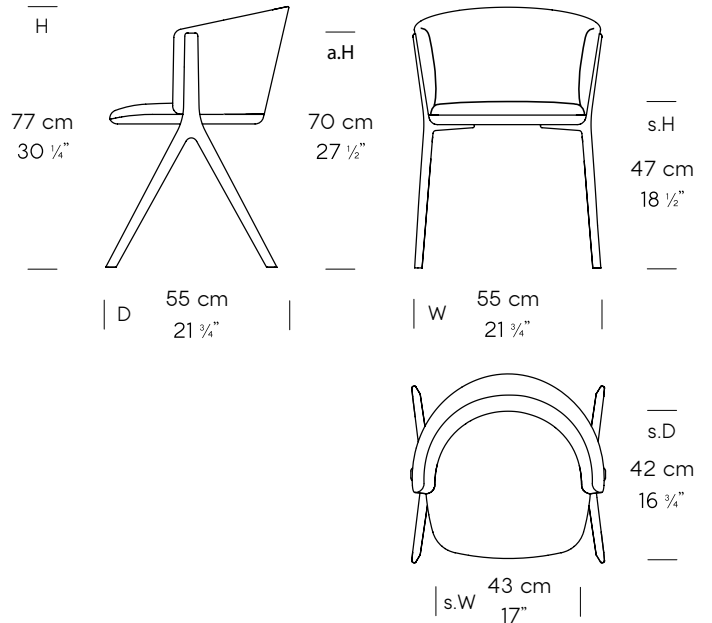
Design by Richard Troy, 2018

Fully Upholstered chair with aluminum frame, equally suitable for residential and commercial environments.

- Fully upholstered seat and back
- PHR Polyurethane Foam with curved plywood substrates
- Solid wood seat base with imbedded metal plate
- High-pressure die-cast aluminum legs
- No visible hardware or connections
- TPU non-marking plastic foot
- Made in Canada



Dimensions



- CAD available from hello@editsdesign.com
- Chair weight: 20 lbs.

Frame



black
(BLK)

white
(WHT)

custom RAL
(RAL)

polished
(POL)

Wood



ash
(AA)

black ash
(BK)

Upholstery

- Please review EDITS *Upholstery Options* PDF document for available options

COM

1.5 m/pcs.

COL

25 sq.ft

Item numbers

- CIR 200: Upholstered Chair
- CIR 205: Upholstered Chair + Exposed Wood Base

Compliance

- ANSI/BIFMA X5.1 (US Commercial Seating)
- EN 16139:2013 (EU NonDomestic Seating)
- CAL TB 117 (US Flammability)
- BS 5852 Part 2 (UK Flammability)

- Weight capacity: 400 lbs.

Shipping Info

- 1 Chair per Carton
- Carton: 23-1/2" x 23-1/2" x 32" / 23 lbs.
- Pallets: 8 pcs on a 4'x4' pallet

Availability

- Production starts: Fall 2019
- Made to order
- Lead time: 4-6 weeks + Shipping