

# Circus, Stool

EDITS

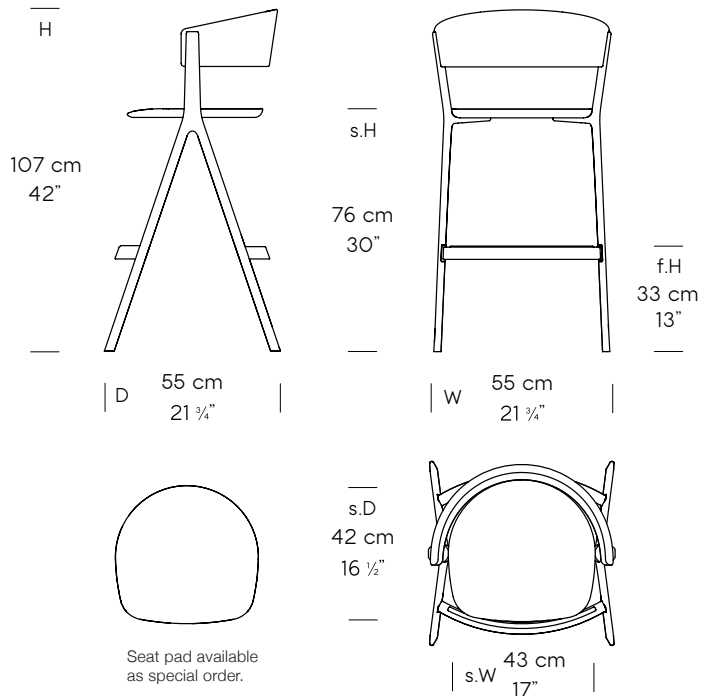
Design by Richard Trory, 2018

Solid wood barstool with die-cast aluminum frame, equally suitable for residential and commercial environment.

- Laminated wood back
- Sculpted solid wood seat with imbedded metal plate
- High-pressure die-cast aluminum legs
- Solid aluminum footrest with scratch rail
- Optional fixed upholstered seat
- Choice of hard-lacquer or oil finish
- TPU non-marking plastic foot
- Made in Canada



## Dimensions



- CAD available for download at [editsdesign.com](http://editsdesign.com)
- Chair weight: 23 lbs.

## Frame



black  
(BLK)

white  
(WHT)

custom RAL  
(RAL)

polished  
(POL)

## Wood



ash  
(AA)

black ash  
(BK)

## Upholstery

- Please review EDITS Upholstery Options PDF document for available options

COM

COL

0.5 m/pcs.

5.5 sq.ft

## Item numbers

- CIR 300: Barstool
- CIR 310: Barstool + Upholstered seat

## Compliance

- ANSI/BIFMA X5.1 (US Commercial Seating)
- EN 16139:2013 (EU NonDomestic Seating)
- CAL TB 117 (US Flammability)
- BS 5852 Part 2 (UK Flammability)

- Weight capacity: 400 lbs.

## Shipping Info

- 1 Chair per Carton
- Carton: 23-1/2" x 23-1/2" x 44" / 26 lbs
- Pallets: 4 pcs on a 4'x4' pallet

## Availability

- Production starts: Fall, 2019
- Made to order
- Lead time: 4-6 weeks + Shipping