

Circus, Wood

EDITS

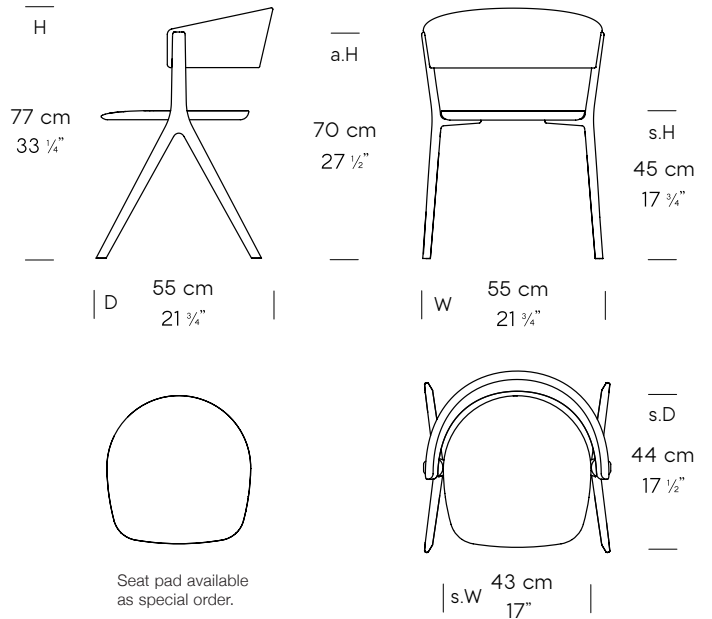
Design by Richard Trory, 2018

Solid wood chair with die-cast aluminum frame, equally suitable for residential and commercial environments.

- Laminated wood back
- Sculpted solid wood seat with imbedded metal plate
- High-pressure die-cast aluminum legs
- Optional fixed upholstered seat
- No visible hardware or connections
- TPU non-marking plastic foot
- Made in Canada



Dimensions



- CAD available from hello@editsdesign.com
- Chair weight: 20 lbs.

Frame



black (BLK) | white (WHT) | custom RAL (RAL) | polished (POL)

Wood



ash (AA) | black ash (BK)

Upholstery

- Please review EDITS *Upholstery Options* PDF document for available options

COM | COL
0.5 m/pcs. | 5.5 sq.ft

Item numbers

- CIR 100: Wood Chair
- CIR 110: Wood Chair + Upholstered Seat

Compliance

- ANSI/BIFMA X5.1 (US Commercial Seating)
- EN 16139:2013 (EU NonDomestic Seating)
- CAL TB 117 (US Flammability)
- BS 5852 Part 2 (UK Flammability)

- Weight capacity: 400 lbs.

Shipping info

- 1 Chair per Carton
- Carton: 23-1/2" x 23-1/2" x 32" / 22 lbs
- Pallets: 8 pcs on a 4'x4' pallet

Availability

- Production starts: Fall, 2019
- Made to order
- Lead time: 4-6 weeks + Shipping