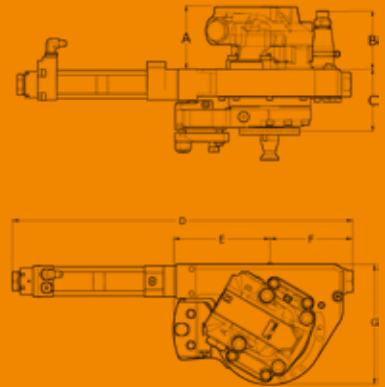


SuperCut®



SUPERCUT 100 S

Features

- Automatic chain tensioning
- Proportional chain lubrication
- 95 degrees bar feed angle
- Built in bar feed cylinder
- Compact and sealed saw unit
- Designed for .404"
- >90 cm saw bar length
- Upgraded bar holder design
- Up to 18 tooth drive sprockets
- Available as upgrade kit for previous gen. SuperCut 100
- Bar holder is prepared for stump treatment
- Saw bar home sensor – option
- Digital cut control – option
- Tool free release valve for tensioning pressure

		10cc Parker	14cc Parker	19cc Parker	30cc Parker	20cc Bucher	25cc Bucher	32cc Bucher
Saw motor displacement	cm ³	10	14	19	30	20	25	32
Weight incl. saw motor	kg	36	36	38	39	41	41	41
Min. working pressure	MPa	See recommendations from each motor manufacturer						
Min. oil flow	l/min	See recommendations from each motor manufacturer						
Prop. chain lubrication	ml	1.6-6.5	1.6-6.5	1.6-6.5	1.6-6.5	1.6-6.5	1.6-6.5	1.6-6.5
Saw bar, max. length	cm	>95	>95	>95	>95	>95	>95	>95
Height motor, A	mm	93	93	120	137	112.5	112.5	112.5
Max. height cut control, B	mm	126	126	126	126	126	126	126
Height, C	mm	113	113	113	113	113	113	113
Total length, D	mm	608	608	608	608	608	608	608
Max. length bar holder, E	mm	172	172	172	172	172	172	172
Length, F	mm	147	147	147	147	147	147	147
Width, G	mm	214	214	214	214	214	214	214
Saw chain		.404"	.404"	.404"	.404"	.404"	.404"	.404"
Max. saw chain speed		See recommendations from each saw chain manufacturer						
Max. power to saw chain		See recommendations from each saw chain manufacturer						



SuperGrip



SuperSaw



SuperCut



DampingSystem



LubricationSystem

Hultdin System AB is a leading manufacturer of tools and integrated components for forestry and construction machines. Hultdins products such as the SuperGrip, SuperSaw and SuperCut are used throughout the world. Ever since 1928, we've been developing products to make machine contractors productive. We try to meet the needs of today while predicting the needs of tomorrow. This is something we can do best by working in the forest in both practice and theory.



sales@hultdins.se
hultdins.com

Headquarters, Sweden
Telephone: +46 (0)953-418 00

Address:
Hultdin System AB
Box 100
Skolgatan 12
SE-939 31 Malå

Sales office, North America
Telephone: (519) 754-0044
Fax: (519) 754-1569

Address:
Hultdins Inc
22 Morton Avenue East
Brantford, Ontario
Canada N3R7J7