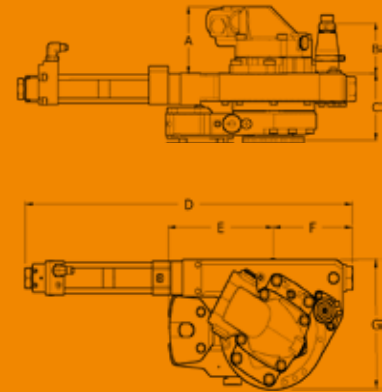


# SuperCut®



## SUPERCUT 150

### Features

- Automatic chain tensioning
- Proportional chain lubrication
- 95 degrees bar feed angle
- Built in bar feed cylinder
- Compact and sealed saw unit
- Designed for .404" and 3/4 " and stump treatment with universal bar holder
- >90 cm saw bar length
- Upgraded bar holder design
- Saw bar home sensor - option
- Digital cut control - option
- Tool free release valve for tensioning pressure
- Hardened tensioning unit and bar holder

		19cc Parker	30c Parker	20cc Bucher	25cc Bucher	32cc Bucher
Saw motor displacement	cm <sup>3</sup>	19	30	20	25	32
Weight incl. saw motor	kg	40	41	44	44	44
Min. working pressure	MPa	See recommendations from each motor manufacturer				
Min. oil flow	l/min	See recommendations from each motor manufacturer				
Prop. chain lubrication	ml	1.6-6.5	1.6-6.5	1.6-6.5	1.6-6.5	1.6-6.5
Saw bar, max. length (.404")	cm	>95	>95	>95	>95	>95
Saw bar, max. length (3/4")	cm	95	95	95	95	95
Height motor, A	mm	120	137	112.5	112.5	112.5
Max. height cut control, B	mm	126	126	126	126	126
Height, C (.404")	mm	120	120	120	120	120
Height, C (3/4")	mm	121	121	121	121	121
Total length, D	mm	608	608	608	608	608
Max. length bar holder, E	mm	195	195	195	195	195
Length, F	mm	147	147	147	147	147
Width, G	mm	214	214	214	214	214
Saw chain		.404" alt.3/4"				
Max. saw chain speed		See recommendations from each saw chain manufacturer				
Max. power to saw chain		See recommendations from each saw chain manufacturer				



SuperGrip



SuperSaw



SuperCut



DampingSystem



LubricationSystem

Hultdin System AB is a leading manufacturer of tools and integrated components for forestry and construction machines. Hultdins products such as the SuperGrip, SuperSaw and SuperCut are used throughout the world. Ever since 1928, we've been developing products to make machine contractors productive. We try to meet the needs of today while predicting the needs of tomorrow. This is something we can do best by working in the forest in both practice and theory.



[sales@hultdins.se](mailto:sales@hultdins.se)  
[hultdins.com](http://hultdins.com)

**Headquarters, Sweden**  
Telephone: (46) 953-418 00

**Address:**  
Hultdin System AB  
Box 100  
Skolgatan 12  
SE-939 31 Malå

**Sales office, North America**  
Telephone: (519) 754-0044  
Fax: (519) 754-1569

**Address:**  
Hultdins Inc  
22 Morton Avenue East  
Brantford, Ontario  
Canada N3R7J7