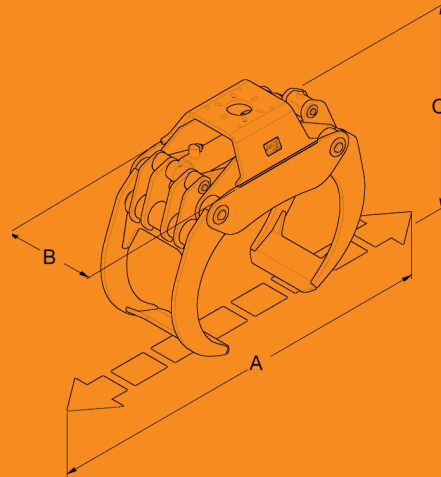


SuperGrip®



SUPERGRIP STANDARD

Features

- Tapered sleeve pin design eliminates any possible joint motion.
- Cushioned cylinders to reduce shock loads.
- Dual solid push rods for balanced design.
- Grapple saw option available on all models.

| | | | 260 | | 360 | | 520 | |
|---|-----------------------------------|--|---------------|--|----------------|--|----------------|--|
| Weight | lb (kg) | | 412 (187) | | 675 (306) | | 794 (360) | |
| Max. load | lb (kg) | | 7 700 (3 500) | | 11 000 (5 000) | | 12 125 (5 500) | |
| Gripping area, tip-tip | ft ² (m ²) | | 2.80 (0.26) | | 3.87 (0.36) | | 5.59 (0.52) | |
| Gripping area, practical | ft ² (m ²) | | 3.77 (0.35) | | 4.84 (0.45) | | 6.67 (0.62) | |
| Max. gripping width "A" | inches (mm) | | 60.0 (1 525) | | 73.6 (1 870) | | 89.72 (2 279) | |
| Overall grapple width "B" | inches (mm) | | 16.9 (430) | | 20.0 (510) | | 20.2 (514) | |
| Height, arms tip-tip "C" | inches (mm) | | 34.1 (867) | | 37.9 (962) | | 45.4 (1 152) | |
| Max. height arms open | inches (mm) | | 29.9 (760) | | 31.5 (800) | | 34.9 (887) | |
| Min. height arms closed | inches (mm) | | 21.7 (550) | | 24.7 (627) | | 29.6 (753) | |
| Grapple jaw width | inches (mm) | | 15.1 (384) | | 17.8 (452) | | 18.0 (456) | |
| Min. gripping diameter | inches (mm) | | 3.5 (90) | | 4.3 (110) | | 6.7 (170) | |
| Volume capacity 8 ft wood | cords | | 0.23 | | 0.30 | | 0.42 | |
| Gripping force, arms open, at 3625 psi | lbf (kN) | | 2451 (10.9) | | 4161 (18.5) | | 4701 (20.9) | |
| Gripping force, arms tip-tip, at 25 MPa | lbf (kN) | | 3396 (15.1) | | 4319 (19.2) | | 5196 (23.1) | |
| Opening time, at 50 l/min | s | | 0.9 | | 1.6 | | 2.2 | |
| Closing time, at 50 l/min | s | | 1.7 | | 2.6 | | 3.7 | |
| Max. operating pressure | psi (MPa) | | 3625 (25) | | 3625 (25) | | 3625 (25) | |



info@hultdins.com
hultdins.com

Sales office, North America
Telephone: (519) 754-0044
Fax: (519) 754-1569

Address:
Hultdins Inc, 22 Morton Avenue East
Brantford, Ontario, Canada N3R7J7