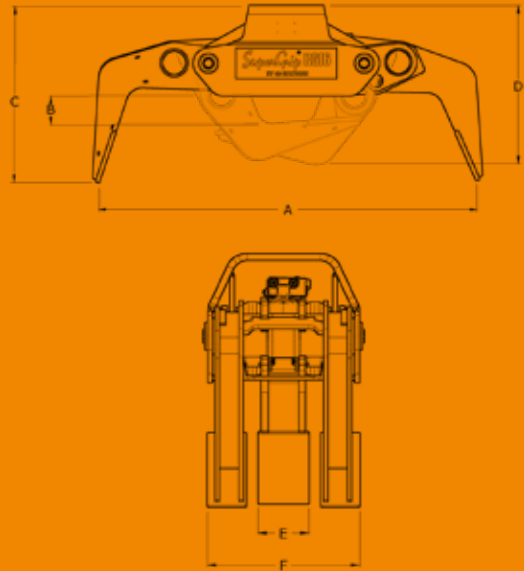


# SuperGrip®



## SUPERGRIP RAIL GRAPPLE

### Features

- Synchronized arms for a more controlled and efficient handling of ties and rails.
- Grapple is constructed with “High Strength” and “Wear Resistant” Steel.
- Cylinder is equipped with a direct mounted “Load Holding Valve”.
- Cushioned Cylinder to reduce shock load.
- Tapered sleeve pin design eliminates any possible joint motion.
- Grapple Saw Option Available.

#### (Front View)

	RG16			
Max. opening, “A”	inches	(mm)	69.6	(1 768)
Min. opening, “B”	inches	(mm)	5.3	(135)
Max. height, arms open “C”	inches	(mm)	32.6	(829)
Max. height, arms closed “D”	inches	(mm)	29.1	(740)

#### (Side View)

Width, male arm “E”	inches	(mm)	6.5	(165)
Width, female arm “F”	inches	(mm)	19.5	(496)

 **HULTDINS**

info@hultdins.com  
hultdins.com

Sales office, North America  
Telephone: (519) 754-0044  
Fax: (519) 754-1569

Address:  
Hultdins Inc, 22 Morton Avenue East  
Brantford, Ontario, Canada N3R7J7



SuperGrip



SuperSaw



SuperCut



DampingSystem



LubricationSystem

Hultdin System AB is a leading manufacturer of tools and integrated components for forestry and construction machines. Hultdins products such as the SuperGrip, SuperSaw and SuperCut are used throughout the world. Ever since 1928, we've been developing products to make machine contractors productive. We try to meet the needs of today while predicting the needs of tomorrow. This is something we can do best by working in the forest in both practice and theory.



[sales@hultdins.se](mailto:sales@hultdins.se)  
[hultdins.com](http://hultdins.com)

**Headquarters, Sweden**  
Telephone: (46) 953-418 00

**Adress:**  
Hultdin System AB  
Box 100  
Skolgatan 12  
SE-939 31 Malå

**Sales office, North America**  
Telephone: (519) 754-0044  
Fax: (519) 754-1569

**Adress:**  
Hultdins Inc  
22 Morton Avenue East  
Brantford, Ontario  
Canada N3R7J7