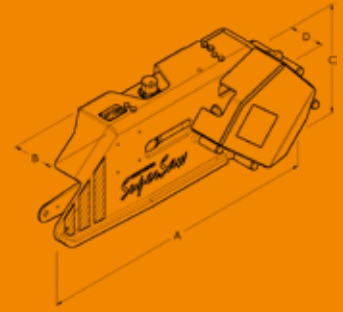


# SuperSaw®



## SUPERSAW 550 EC-10 / 550S EC-10

### Product Features

- Equipped with SuperCut Saw unit
  - Automatic Chain Tension
  - Built in Proportional Lubrication System
  - Built in Bar Feed Cylinder
- Sequenced Controlled Saw Function
- Simple Carrier Installation
  - No special valving or boom cable required
  - No extra porting required in the rotator

|                                    |  | 550 EC-10                   | 550S EC-10  |
|------------------------------------|--|-----------------------------|-------------|
| Saw motor displacement             | cm <sup>3</sup>                                      | 10                          | 10          |
| Weight                             | kg   | 117                         | 160         |
| Length, A                          | mm   | 1 095                       | 1 195       |
| Width, B                           | mm   | 282                         | 184         |
| Height, C                          | mm   | 400                         | 465         |
| Width, D                           | mm   | 120                         | 148         |
| Min. hydraulic pressure, saw motor | MPa  | 16                          | 16          |
| Min. hydraulic flow, saw motor     | l/min  | 65                          | 65          |
| Max. saw chain speed               | See recommendations from each saw chain manufacturer |                             |             |
| Max. power input to saw chain      | See recommendations from each saw chain manufacturer |                             |             |
| Saw chain                          |  | .404"                       | .404"       |
| Saw bar                            | cm   | 100                         | 113         |
| Saw bar feed out system            |  | Return line                 | Return line |
| Recommended grapples               |  | All SG, SGII and GLC models |             |



SuperGrip



SuperSaw



SuperCut



DampingSystem



LubricationSystem

Hultdin System AB is a leading manufacturer of tools and integrated components for forestry and construction machines. Hultdins products such as the SuperGrip, SuperSaw and SuperCut are used throughout the world. Ever since 1928, we've been developing products to make machine contractors productive. We try to meet the needs of today while predicting the needs of tomorrow. This is something we can do best by working in the forest in both practice and theory.



[sales@hultdins.se](mailto:sales@hultdins.se)  
[hultdins.com](http://hultdins.com)

**Headquarters,  
Sweden**

Telephone: (46) 953-418 00

**Address:**

Hultdin System AB  
Box 100  
Skolgatan 12  
SE-939 31 Malå

**Sales office,  
North America**

Telephone: (519) 754-0044  
Fax: (519) 754-1569

**Address:**

Hultdins Inc  
22 Morton Avenue East  
Brantford, Ontario  
Canada N3R7J7