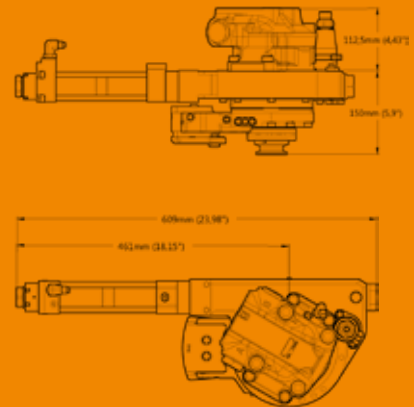
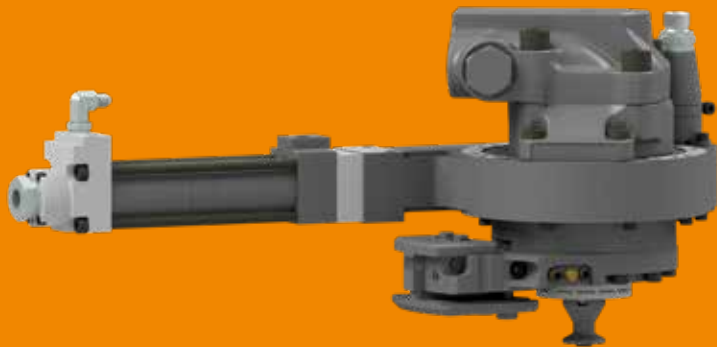


# SuperCut®



## SUPERCUT 100

### Features

- Compact and completely sealed saw unit
- Automatic chain tensioning
- Proportional chain lubrication
- 95 degrees bar feed angle
- Built in bar feed cylinder
- No hoses in saw housing
- Digital cut control via sensors or incremental encoder
- Hardened tension unit and bar holder option

		10cc Parker	14cc Parker	19cc Parker	30cc Parker	20cc Bucher	25cc Bucher	32cc Bucher
Saw motor displacement	cm <sup>3</sup>	10	14	19	30	20	25	32
Weight incl. saw motor	kg	32	32	35	37	38	38	38
Min. working pressure	MPa	See recommendations from each motor manufacturer						
Min. oil flow	l/min	See recommendations from each motor manufacturer						
Prop. chain lubrication	ml	1,6-6,5	1,6-6,5	1,6-6,5	1,6-6,5	1,6-6,5	1,6-6,5	1,6-6,5
Saw bar, max. length	cm	90	90	90	90	90	90	90
Height motor, A	mm	93	93	120	137	112,5	112,5	112,5
Max. height cut control, B	mm	126	126	126	126	126	126	126
Max. height, C	mm	190	156-190	156-190	156-190	156-190	156-190	156-190
Total length, D	mm	608	608	608	608	608	608	608
Max. length bar holder, E	mm	160	160	160	160	160	160	160
Length, F	mm	147	147	147	147	147	147	147
Width, G	mm	214	214	214	214	214	214	214
Saw chain		.404"	.404	.404	.404	.404	.404	.404
Max. saw chain speed		See recommendations from each saw chain manufacturer						
Max. power to saw chain		See recommendations from each saw chain manufacturer						



SuperGrip



SuperSaw



SuperCut



DampingSystem



LubricationSystem

Hultdin System AB is a leading manufacturer of tools and integrated components for forestry and construction machines. Hultdins products such as the SuperGrip, SuperSaw and SuperCut are used throughout the world. Ever since 1928, we've been developing products to make machine contractors productive. We try to meet the needs of today while predicting the needs of tomorrow. This is something we can do best by working in the forest in both practice and theory.



[sales@hultdins.se](mailto:sales@hultdins.se)  
[hultdins.com](http://hultdins.com)

**Headquarters, Sweden**  
Telephone: (46) 953-418 00

**Address:**  
Hultdin System AB  
Box 100  
Skolgatan 12  
SE-939 31 Malå

**Sales office, North America**  
Telephone: (519) 754-0044  
Fax: (519) 754-1569

**Address:**  
Hultdins Inc  
22 Morton Avenue East  
Brantford, Ontario  
Canada N3R7J7