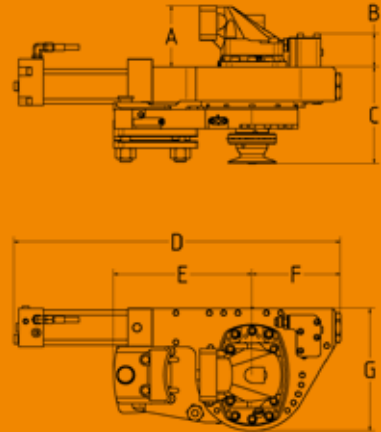
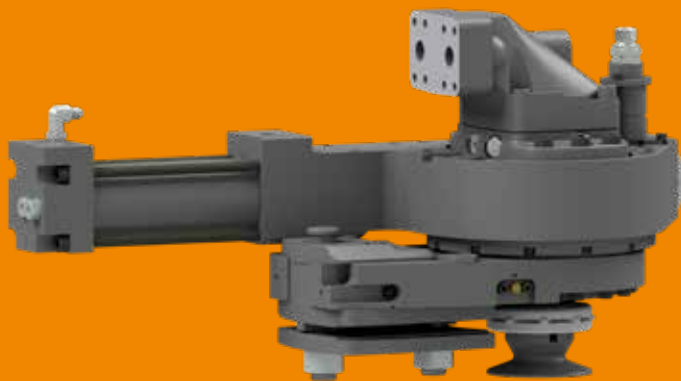


SuperCut®



SUPERCUT 300

Features

- Automatic chain tensioning
- Proportional chain lubrication
- 95 degrees bar feed angle
- Built in bar feed cylinder
- Compact and sealed saw unit
- Designed for heavy duty 3/4 " applications
- Upgraded bar holder design
- Saw bar home sensor - option
- Digital cut control - option

		40cc Parker	60cc Parker
Saw motor displacement	cm ³	40	60
Weight incl. saw motor	kg	78	81
Min. working pressure	MPa	See recommendations from each motor manufacturer	
Min. oil flow	l/min	See recommendations from each motor manufacturer	
Prop. chain lubrication	ml	10 / 25	10 / 25
Saw bar, max. length	cm	134	134
Height motor, A	mm	129	139
Max. height cut control, B	mm	126	126
Max. height, C	mm	224	224
Total length, D	mm	687	687
Max. length bar holder, E	mm	291	291
Length, F	mm	186	186
Width, G	mm	258	258
Saw chain		3/4"	3/4"
Max. saw chain speed		See recommendations from each saw chain manufacturer	
Max. power to saw chain		See recommendations from each saw chain manufacturer	



SuperGrip



SuperSaw



SuperCut



DampingSystem



LubricationSystem

Hultdin System AB is a leading manufacturer of tools and integrated components for forestry and construction machines. Hultdins products such as the SuperGrip, SuperSaw and SuperCut are used throughout the world. Ever since 1928, we've been developing products to make machine contractors productive. We try to meet the needs of today while predicting the needs of tomorrow. This is something we can do best by working in the forest in both practice and theory.



sales@hultdins.se
hultdins.com

Headquarters, Sweden
Telephone: (46) 953-418 00

Address:
Hultdin System AB
Box 100
Skolgatan 12
SE-939 31 Malå

Sales office, North America
Telephone: (519) 754-0044
Fax: (519) 754-1569

Address:
Hultdins Inc
22 Morton Avenue East
Brantford, Ontario
Canada N3R7J7