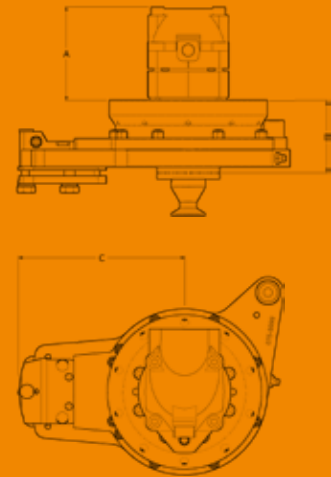
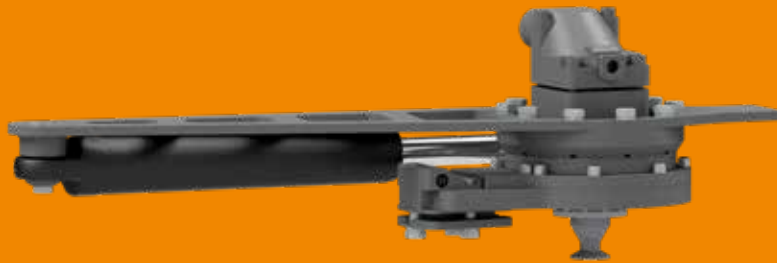


SuperCut®



SUPERCUT 50

Features

- Automatic chain tensioning
- Bar feed cylinder included
- Small, lightweight and compact saw unit
- Only available with 5cc saw motor
- Up to 65cm saw bar*
- Proportional chain lubrication - option

*) Application dependent

		5cc Parker
Saw motor displacement	cm ³	5
Weight incl. saw motor	kg	från 8,5
Min. working pressure	MPa	See recommendations from each motor manufacturer
Min. oil flow	l/min	See recommendations from each motor manufacturer
Prop. chain lubrication	ml	6
Saw bar, max. length	cm	55
Height motor, A	mm	93
Height, B	mm	73
Max. length bar holder, C	mm	172
Saw chain	mm	.404"
Max. saw chain speed	mm	See recommendations from each saw chain manufacturer
Max. power to saw chain	mm	See recommendations from each saw chain manufacturer



SuperGrip



SuperSaw



SuperCut



DampingSystem



LubricationSystem

Hultdin System AB is a leading manufacturer of tools and integrated components for forestry and construction machines. Hultdins products such as the SuperGrip, SuperSaw and SuperCut are used throughout the world. Ever since 1928, we've been developing products to make machine contractors productive. We try to meet the needs of today while predicting the needs of tomorrow. This is something we can do best by working in the forest in both practice and theory.



sales@hultdins.se
hultdins.com

Headquarters, Sweden
Telephone: (46) 953-418 00

Address:
Hultdin System AB
Box 100
Skolgatan 12
SE-939 31 Malå

Sales office, North America
Telephone: (519) 754-0044
Fax: (519) 754-1569

Address:
Hultdins Inc
22 Morton Avenue East
Brantford, Ontario
Canada N3R7J7